

Modular Jack

SPECIFICATIONS

Mechanical

Mating Force: 5.0Pounds max.
Unmating Force: 10Pounds max.
Durability: 1000 Cycles

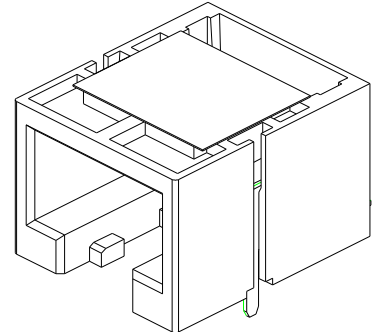
Electrical

Current Rating: 1.5A max.
Dielectric Withstanding Voltage: 1000V

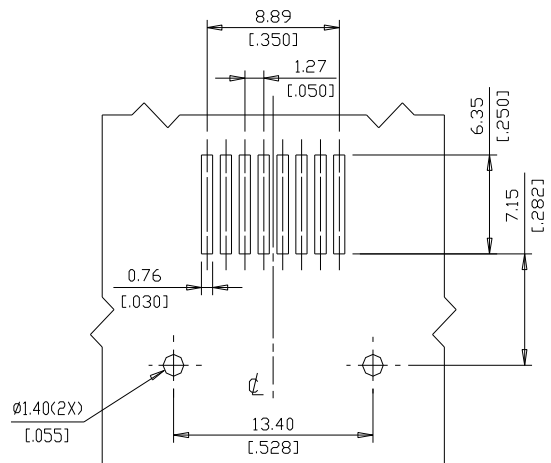
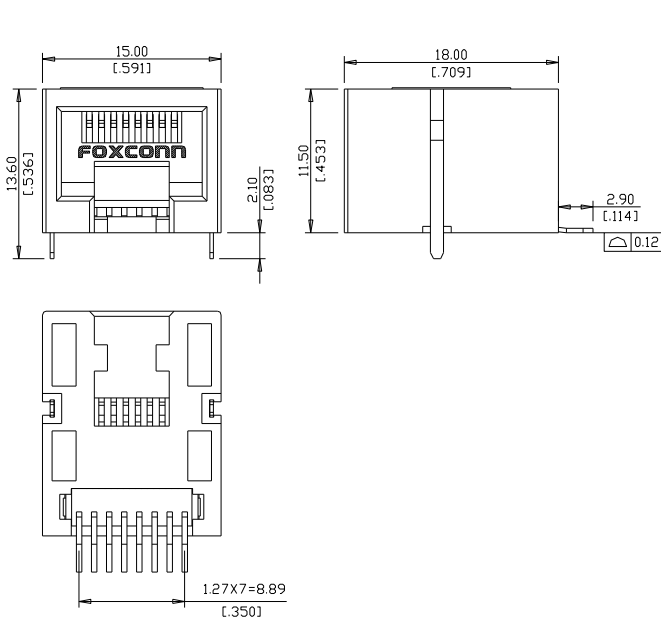
Physical

Housing: Thermoplastic, UL 94V-0 rated
Contact: Copper Alloy
MYLAR: Thermoplastic, UL 94V-0 rated
Post: Metal
Operating Temperature: -30 to +85

JM Serie
1x1 RJ45 Passive CON.
R/A, ALL PLASTIC, SMT
1.27mm [.050"] Pitch



DRAWING



RECOMMENDED PCB LAYOUT
 VIEWED FROM COMPONENT SIDE

ORDERING INFORMATION

PRODUCT NO.: JM 9 4 1 1 3 - K00* - 7 F

CONN. Series:

Body & Termination Type:
 9=R/A, ALL Plastic, SMT

Design Style:
 4=W/O Panel-GND Shell, W/O B/L

POS. Type
 1 = RJ45 8P8C

No. Of Body
 1 = Single Port

F=Lead Free

PACKAGE CODE
 7=TAPE&REEL

Extension NO.

- *: 1=BLACK
- 2=GREEN (355C)
- 3=GRAY (COOL 5C)
- 4=YELLOW (114C)

Contact Area Plating
 Thickness
 3 = 30 u" Gold