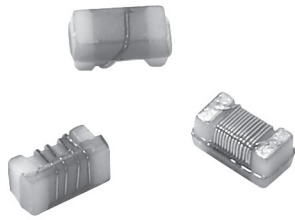


Surface Mount Inductor, Wirewound



FEATURES

- Excellent solderability and resistance to soldering heat.
- Suitable for reflow soldering.
- High reliability and easy surface mount assembly.
- Wide range of inductance values available.
- Tape and reel packaging for automatic handling, 10,000/reel, EIA 481.
- Lead (Pb)-free construction.

STANDARD ELECTRICAL SPECIFICATIONS

IND. (nH)	TOL.	TEST FREQ. L and Q (MHz)	Q MIN	SELF-RESONANT FREQ. MIN. (MHz)	DCR MAX. (Ohms)	*RATED DC CURRENT (mA)
1.0	± 0.3nH, 0.2nH	250	13	6000	0.045	1360
2.0	± 0.3nH, 0.2nH	250	16	6000	0.070	1040
2.2	± 0.3nH, 0.2nH	250	18	6000	0.070	960
3.3	± 0.3nH, 0.2nH	250	20	6000	0.066	840
3.6	± 0.3nH, 0.2nH	250	20	6000	0.066	840
3.9	± 0.3nH, 0.2nH	250	20	5800	0.066	840
5.1	± 10%, 5%	250	23	5800	0.083	800
5.6	± 10%, 5%	250	23	5800	0.083	760
6.2	± 10%, 5%	250	23	5800	0.083	760
7.5	± 10%, 5%	250	25	5800	0.104	680
8.2	± 10%, 5%	250	25	4400	0.104	680
9.0	± 10%, 5%	250	25	4160	0.104	680
10.0	± 5%, 2%	250	23	3900	0.195	480
11.0	± 5%, 2%	250	26	3680	0.120	640
12.0	± 5%, 2%	250	26	3600	0.120	640
15.0	± 5%, 2%	250	26	3280	0.172	560
19.0	± 5%, 2%	250	26	3040	0.202	480
23.0	± 5%, 2%	250	26	2720	0.214	400
27.0	± 5%, 2%	250	26	2480	0.298	400
36.0	± 5%, 2%	250	26	2320	0.403	320
40.0	± 5%, 2%	250	26	2240	0.438	320
47.0	± 5%, 2%	200	26	2100	0.830	150

* for a 15°C rise.

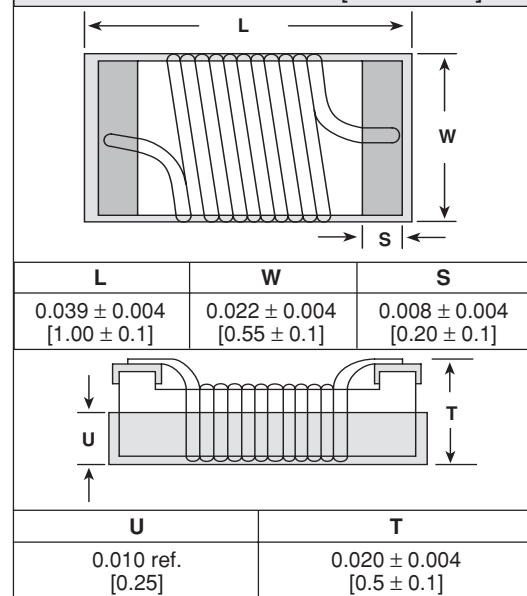
ELECTRICAL SPECIFICATIONS

Inductance Range: 1nH to 47nH.
 Operating Temperature: -40°C to +125°C.
 Storage Temperature: -40°C to +125°C.

TEST EQUIPMENT

- Inductance is measured in HP-4287A RF LCR meter with HP-16193 fixture.
- Q is measured in HP-4287A RF LCR meter with HP-16193 fixture.
- SRF is measured in HP-8753E RF network analyzer.
- DCR is measured in HP-4338B milliohmmeter.

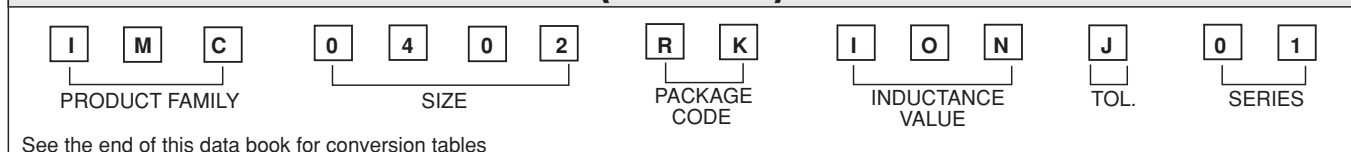
DIMENSIONS in inches [millimeters]



DESCRIPTION

IMC-0402-01 MODEL	10nH INDUCTANCE VALUE	± 5% INDUCTANCE TOLERANCE
----------------------	-----------------------------	---------------------------------

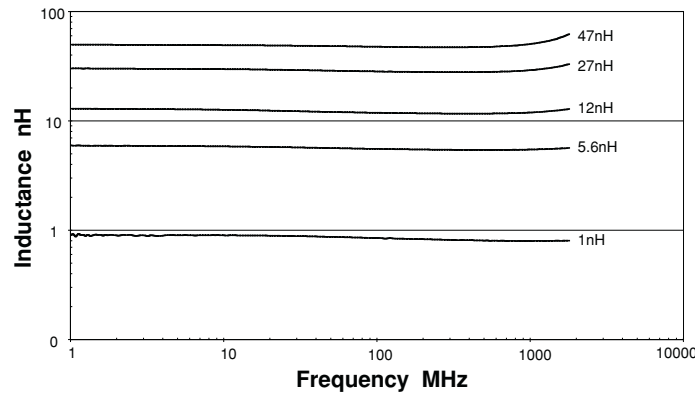
SAP PART NUMBERING GUIDELINES (INTERNAL)



PERFORMANCE GRAPHS

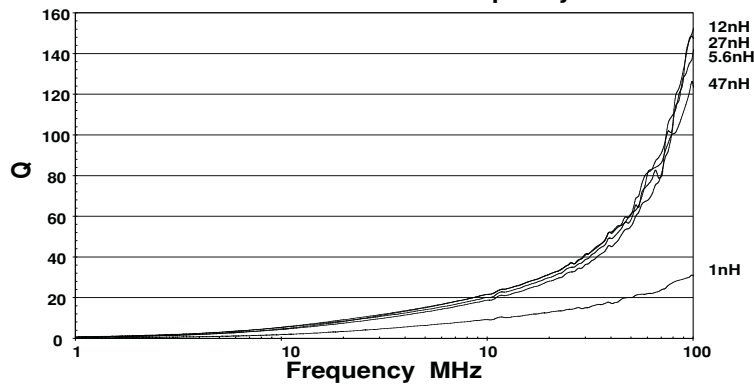
IMC-0402-01

IMC-0402-01 Ls vs Frequency



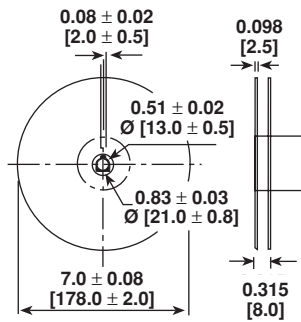
IMC-0402-01

IMC-0402-01 Q vs Frequency

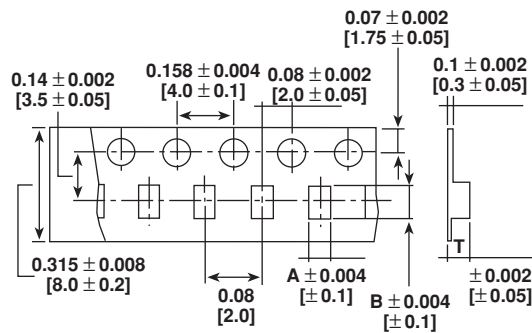


TAPE AND REEL SPECIFICATIONS in inches [millimeters]

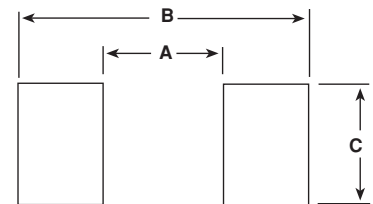
REEL DIMENSIONS



TAPE DIMENSIONS



RECOMMENDED PATTERN



MODEL	UNITS PER REEL	MODEL	A	B	T	MODEL	A	B	C
IMC-0402-01	10000	IMC-0402-01	0.028 [0.7]	0.047 [1.2]	0.028 [0.7]	IMC-0402-01	0.02 [0.5]	0.063 [1.6]	0.02 [0.5]