

MTG-GL-173

REPLACES
AO1B-3B

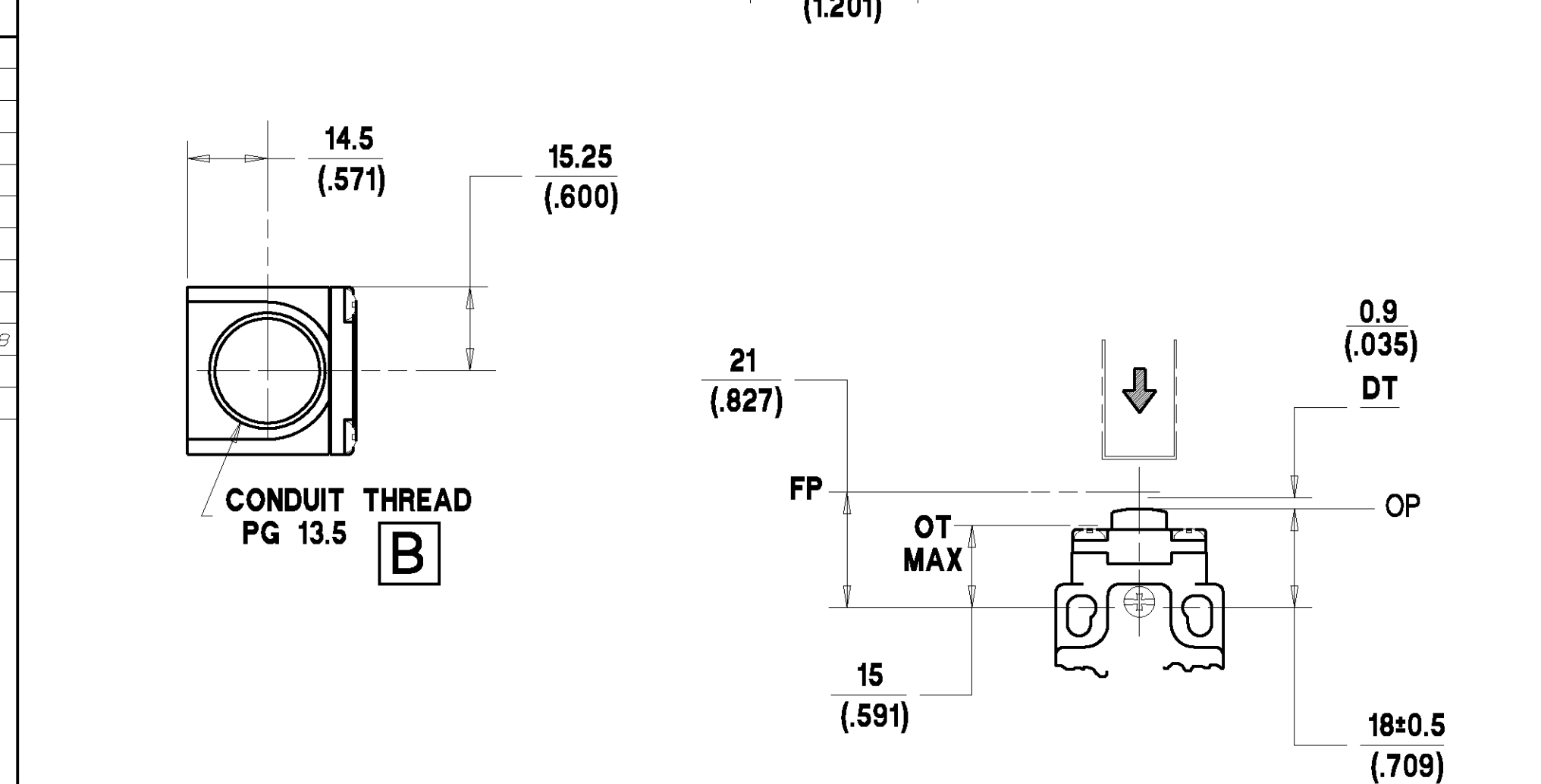
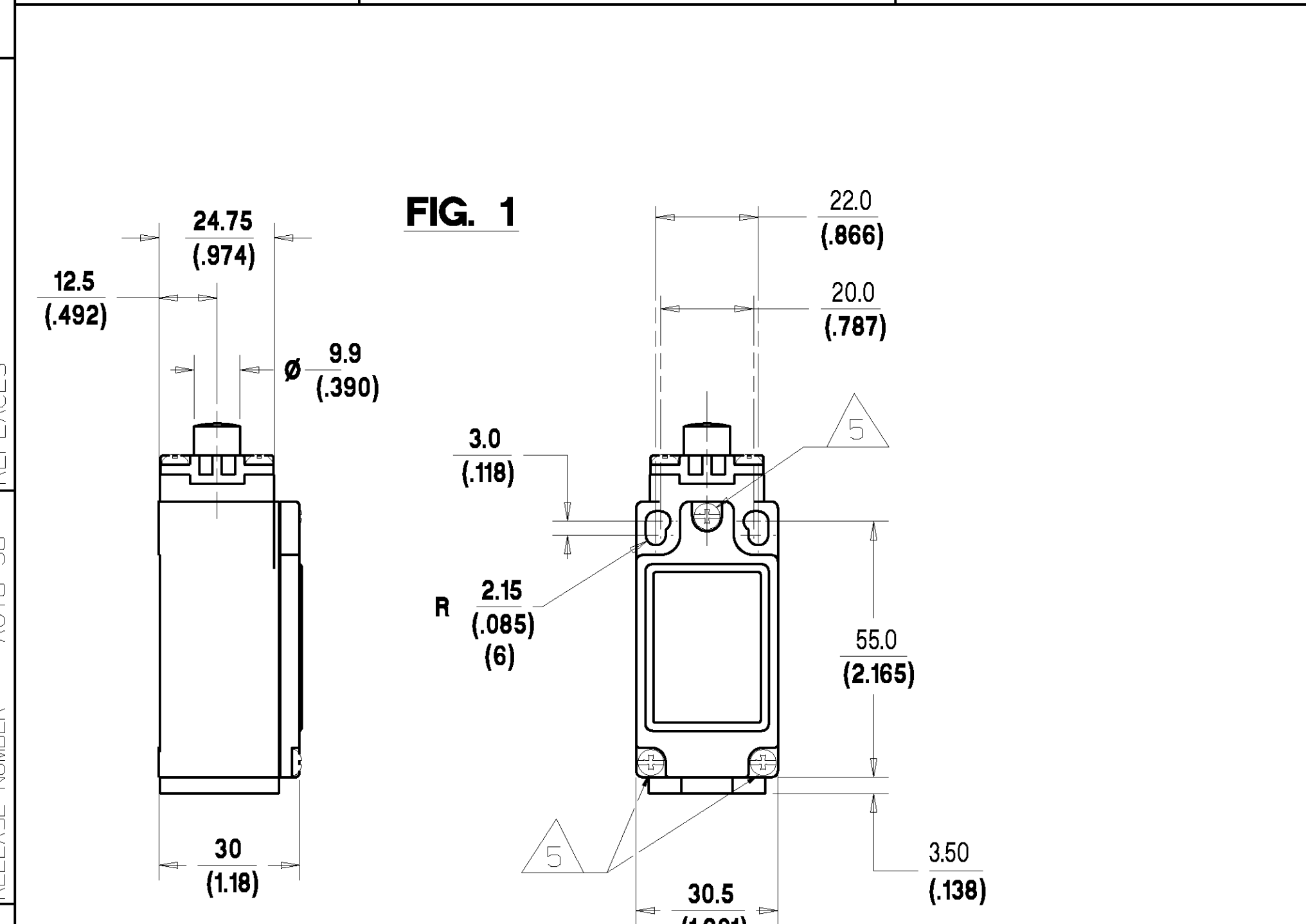
REVISIONS
5 7/96
AO1B-262
6 12/96
AO1B-293
7 7/97
CO-000083
8 8/97
CO-000106
9 10/30/95
I WEIR 6/98
10 PM 03/05
0011918

MODIFY ON CAD3D SYSTEM ONLY

DRAWN M. LOCH
CHECK I. WEIR
DESIGN J. BOYD
AUTHOR P. TRICKETT

Honeywell **LIMIT SWITCH**

CATALOGUE LISTING
GLS
CHART NO.
MTG-GL-173

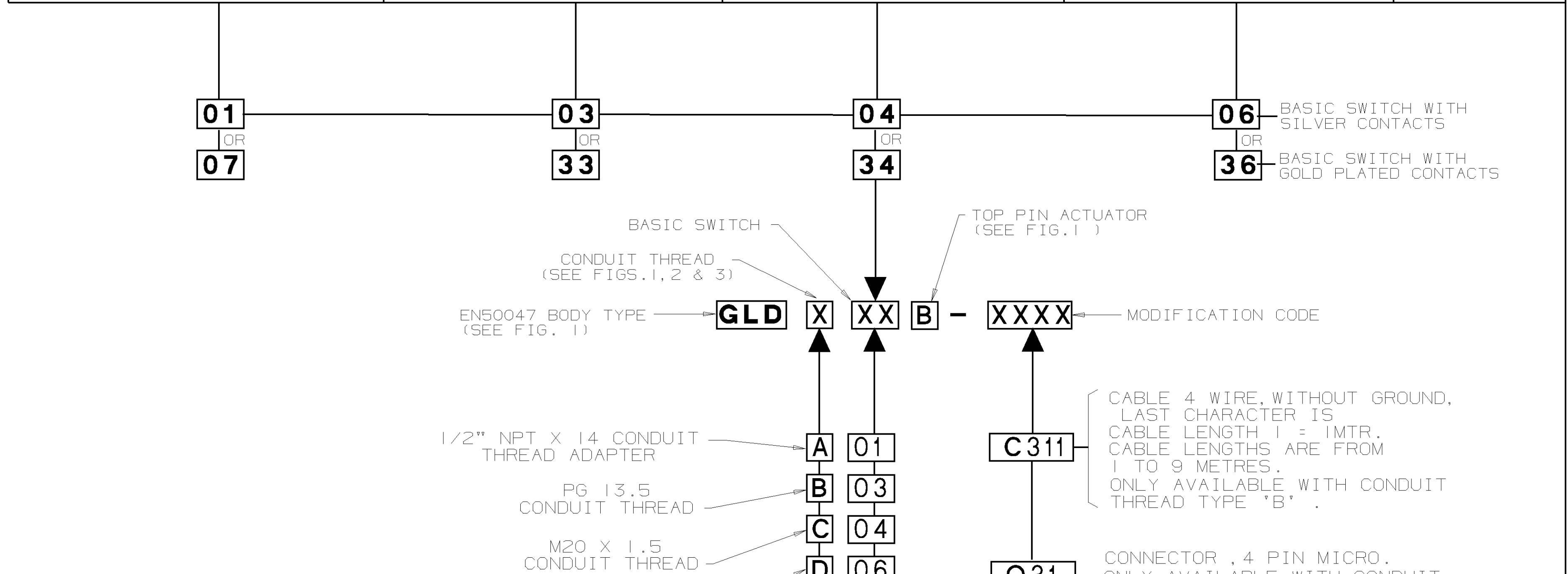


NOTES:-
1. MICRO SWITCH BLUE GLASS FILLED POLYESTER HOUSING & COVER. BLACK GLASS FILLED POLYAMIDE HEAD.
2. ENCLOSURE DOUBLE INSULATED TO IEC 539 CLASS II.
3. MINIMUM OPERATING VELOCITY (V_{min}) = 1.0 MM/S (THESE LIMITS APPLY TO CAM OPERATION AS SHOWN IN THE ABOVE DIAGRAMS ONLY)
MAXIMUM OPERATING VELOCITY (V_{max}) = 100 MM/S
MAXIMUM OPERATING FREQUENCY (F_{max}) = 250 OPS/MIN
4. FREE POSITION (FP), OPERATING POINT (OP), OVERTRAVEL (OT) AND PRETRAVEL (PT) ALL TO EN50047.
5. MAXIMUM TIGHTENING TORQUE FOR FIXING SCREW = 0.5Nm (4.4in.LB)

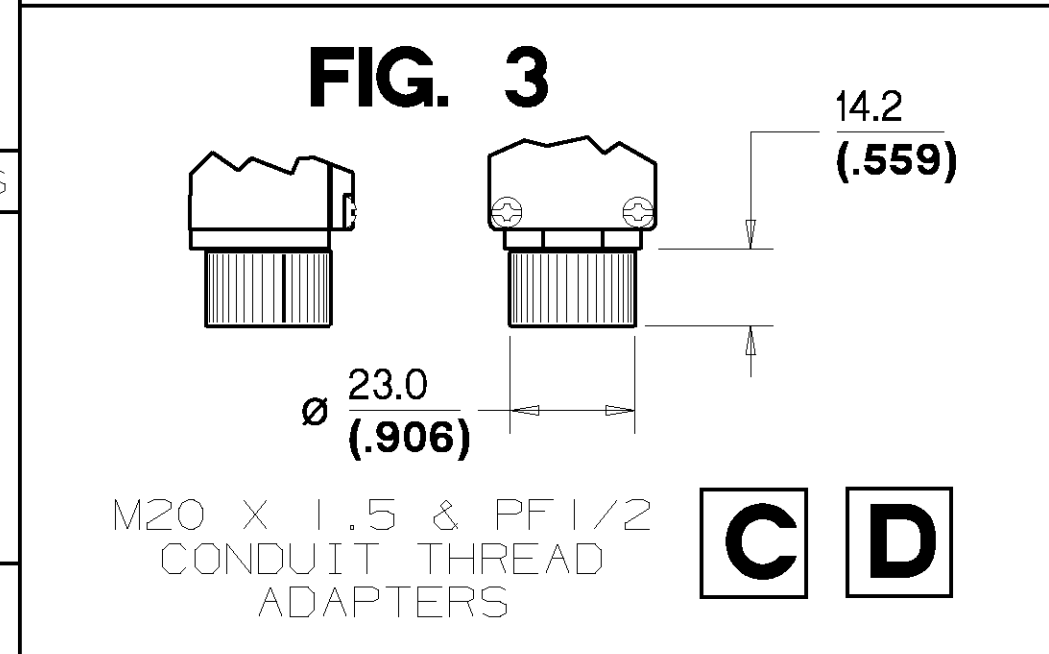
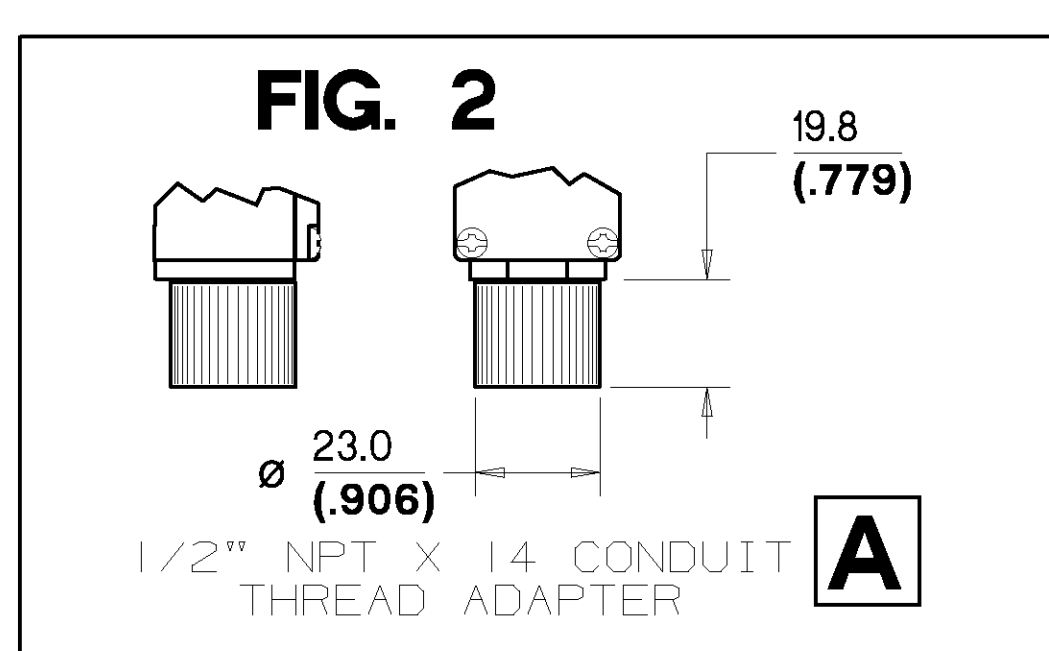
NO CHANGES CAN BE MADE TO THIS DRAWING WITHOUT JOINT NEWHOUSE/FREEPORT APPROVAL

IEC 947-5-1 ELECTRICAL RATING				ENVIRONMENTAL		APPROVALS
SILVER CONTACTS			GOLD PLATED CONTACTS		IP66 NEMA 1, 4, 12, 13	UL
AC	AC (FOR ZNC)	DC				
A600 AC15 Ue Ie	A500 AC15 Ue Ie	Q300 DC13 Ue Ie	I _{th} = 10A		TEMP RANGE: -25°C TO 85°C -13°F TO 185°F	IEC 947-5-1 EN50047
VOLTS AMPS 120 1.2 240 0.6 380 0.4	VOLTS AMPS 120 1.2 240 0.6 380 0.4	VOLTS AMPS 120 0.5 250 0.27	IV 10µA MIN. 50V 100mA MAX.		STORAGE: -40°C TO 85°C -40°F TO 185°F	
480 1.5 500 1.4 600 1.2	480 1.5 500 1.4				SHOCK: 50G PER IEC 68-2-27 VIBRATION: 10G PER IEC 68-2-6	

SNAP-ACTION CONTACTS	SLOW-ACTION CONTACTS (BREAK BEFORE MAKE)	SLOW-ACTION CONTACTS (MAKE BEFORE BREAK)	SLOW-ACTION CONTACTS (2 NORMALLY CLOSED)	CONTACT BLOCK DIAGRAM TERMINAL DESIGNATION TO EN 50013
				NOMINAL TRAVELS AND RELATED TERMINALS CONTACT CLOSED CONTACT OPEN * POSITIVE OPENING TO IEC 947-5-1-3
16 (3.6) 23 (5.2)	14 (3.2) 24 (5.4)	16 (3.6) 27 (6.1)	13 (2.9) 23 (5.2)	NORMAL OPERATING FORCE MAX N (lbf) MAXIMUM DISCONNECT FORCE N (lbf)



NOTE:- ANY STANDARD LISTING WITH SUFFIX 'RS' OR 'FE' IS PERMITTED.



NOTE: FOR CONNECTION DIAGRAMS AND ADDITIONAL ELECTRICAL, ENVIRONMENTAL & DIMENSIONAL INFORMATION SEE DRAWING GL-49212.