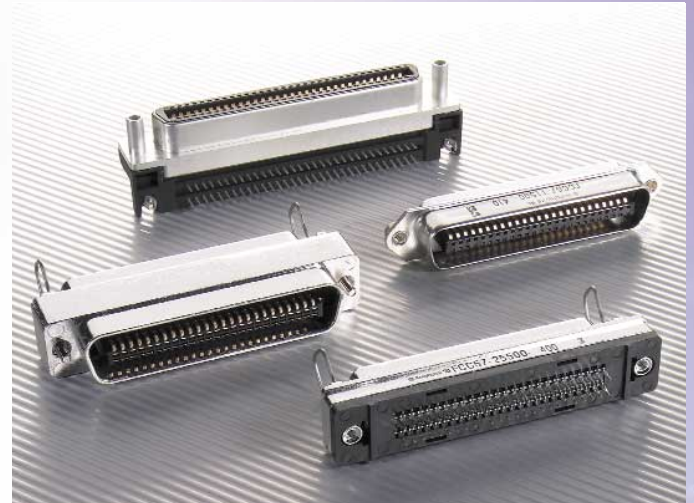


FCC57 Series

FILTERED MICRO-RIBBON CONNECTORS

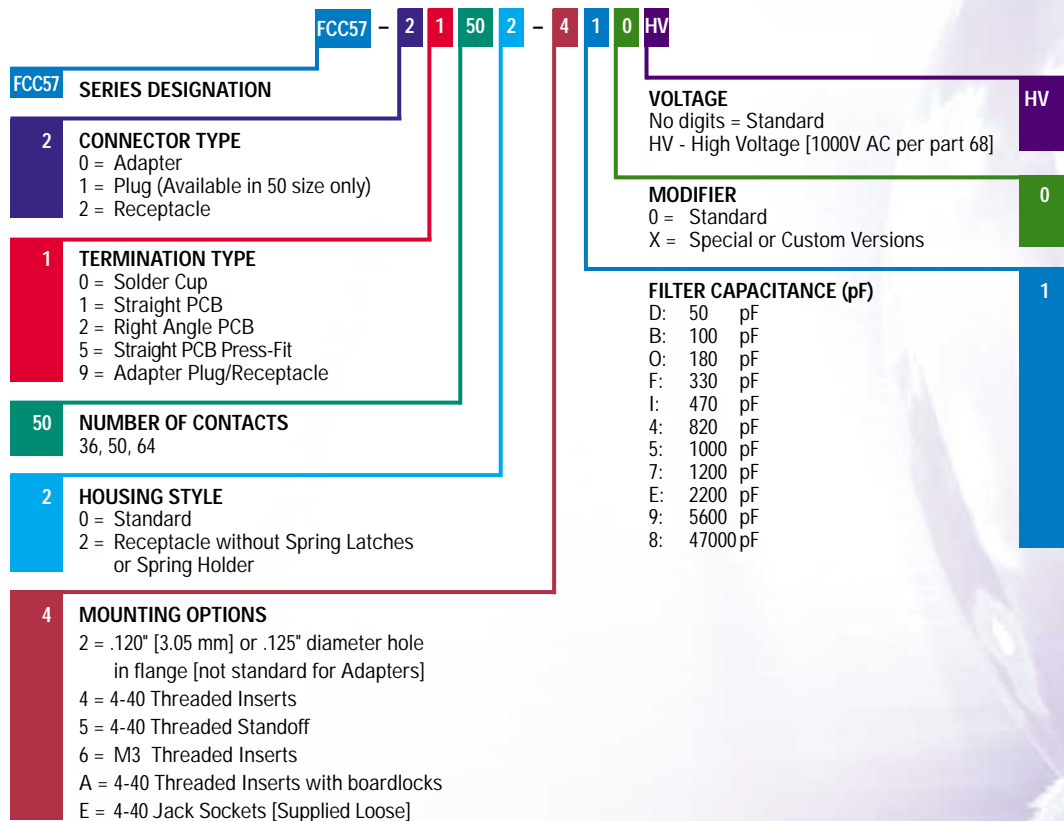
Specifications

Filter Characteristics: See Page 2
 Electrical Data: See Page 2
 Material and Finishes: See Page 3
 Environmental Data: See Page 3
 UL File # : E135615
 CSA File # : LR68598



These products are protected by U.S. Patent # 4500159

Ordering Information

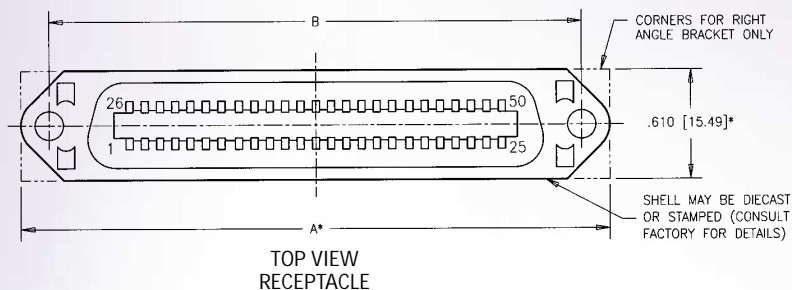


High voltage capacitors available (contact factory)

FCC57 Series

FILTERED MICRO-RIBBON CONNECTORS

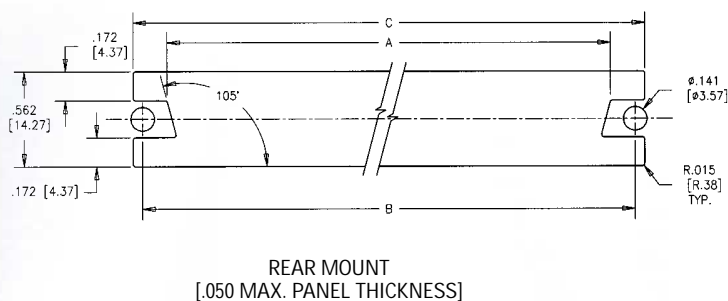
Receptacle - 36, 50, 64 Size



Connector Size	A	B
36	2.637 [66.98]	2.350 [59.69]
50	3.260 [82.80]	2.947 [74.85]
64	3.835 [97.41]	3.542 [89.97]

Dimensions are different for DieCast Shells
Consult Factory for details

Panel Mounting Dimensions - 36 / 50 / 64 size



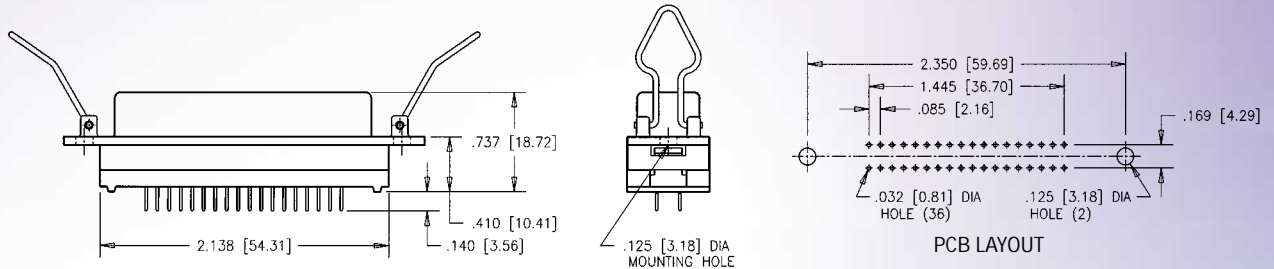
Connector Size	A	B	B
36	2.043 [71.05]	2.350 [59.69]	2.450 [85.20]
50	2.656 [92.36]	2.947 [74.85]	3.062 [106.48]
64	3.251 [113.06]	3.542 [89.97]	3.657 [127.18]

FCC57 Series 36 Size

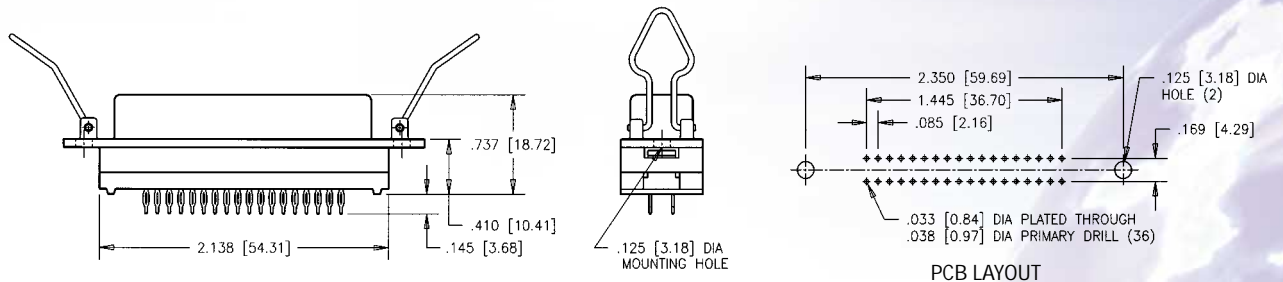
FILTERED MICRO-RIBBON CONNECTORS

Receptacle

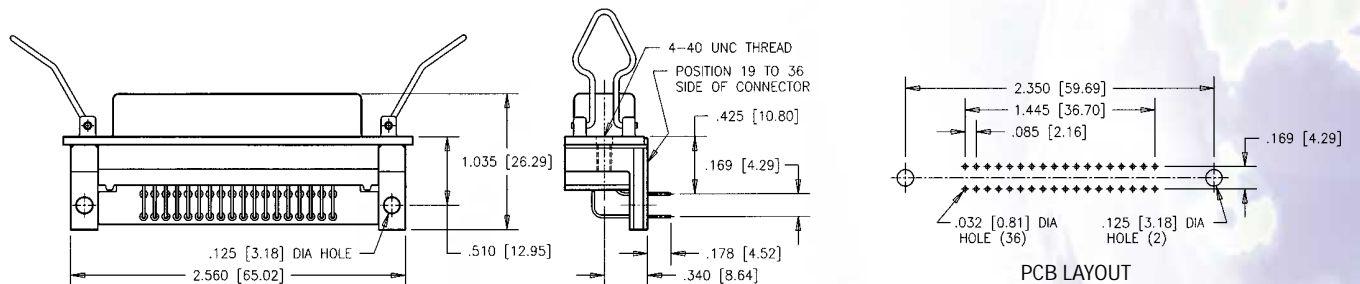
STRAIGHT PCB (FCC57 - 21360 - 1 x 0)



STRAIGHT PRESS-FIT (FCC57 - 25360 - 1 x 0)

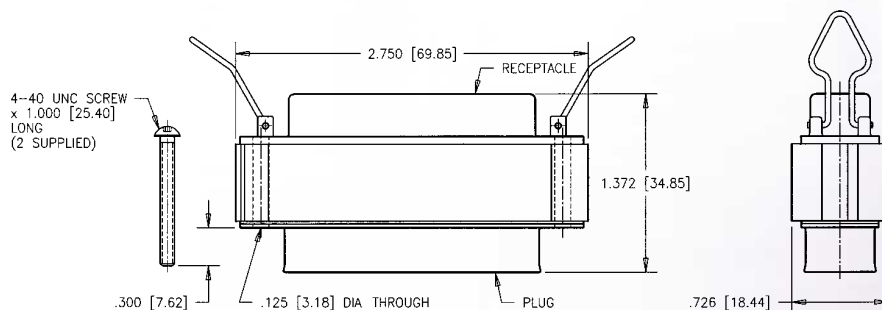


RIGHT ANGLE PCB (FCC57 - 22360 - 1 x 0)



Adapter

PLUG/RECEPTACLE (FCC57 - 09360 - 1 X 0)

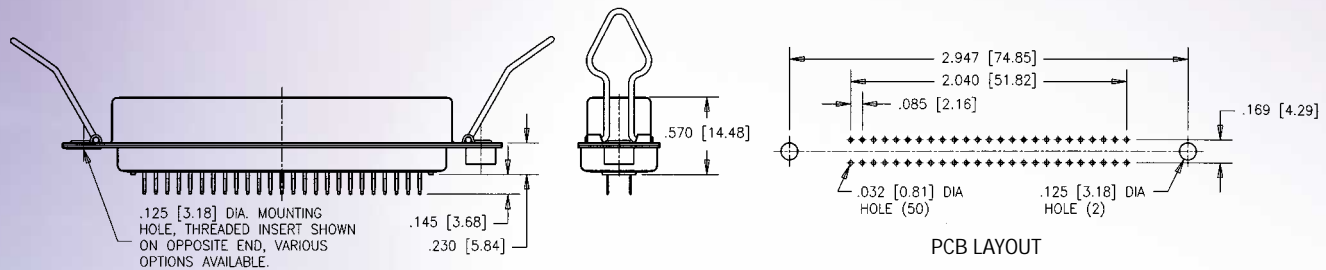


FCC57 Series 50 Size

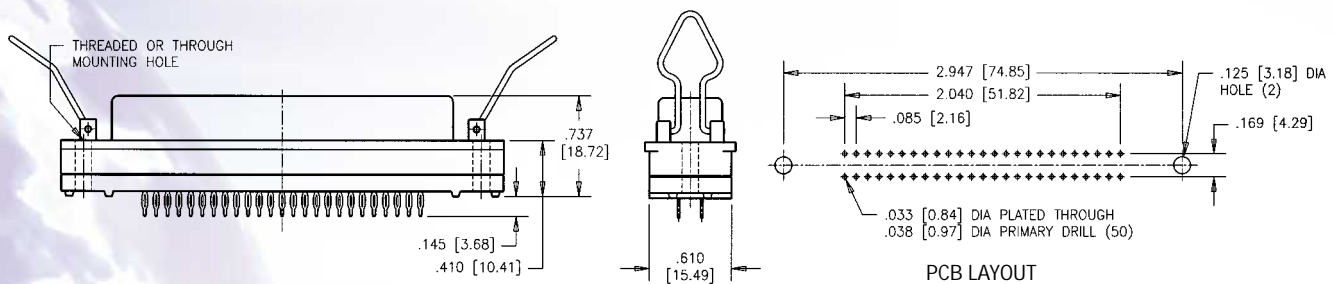
FILTERED MICRO-RIBBON CONNECTORS

Receptacle

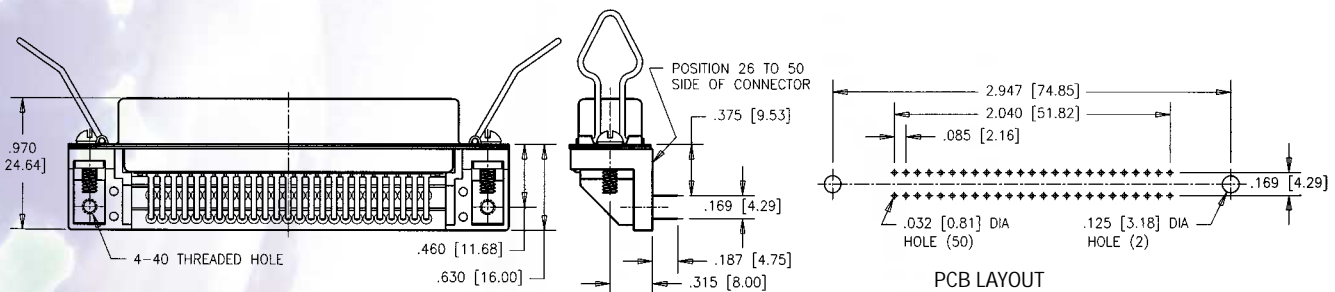
STRAIGHT PCB (FCC57 - 21500 - × × 0)



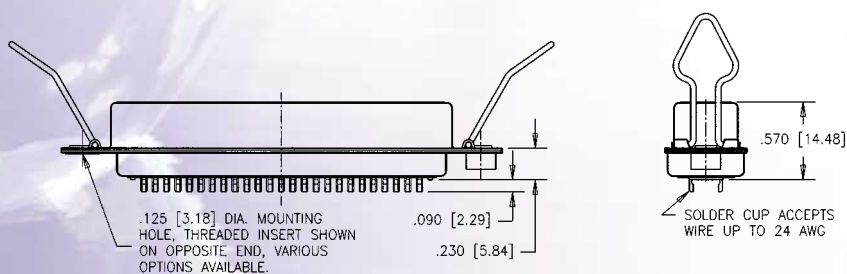
STRAIGHT PRESS-FIT (FCC57 - 25500 - × × 0)



RIGHT ANGLE PCB (FCC57 - 22500 - × × 0)



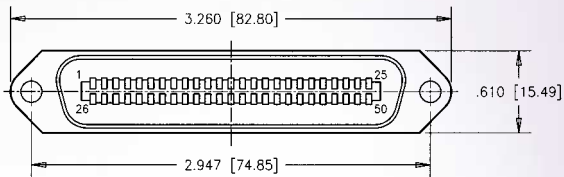
SOLDER CUP (FCC57 - 20500 - × × 0)



FCC57 Series 50 Size

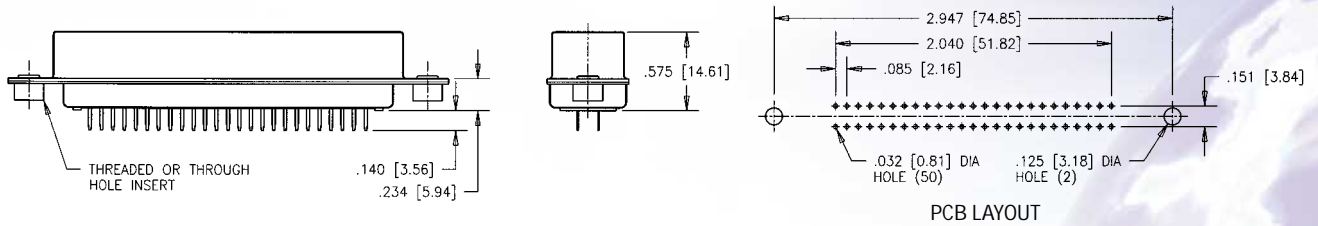
FILTERED MICRO-RIBBON CONNECTORS

Plug

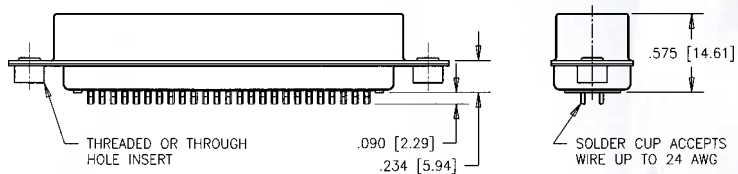


TOP VIEW
PLUG

STRAIGHT PCB (FCC57 - 11500 - × × 0)

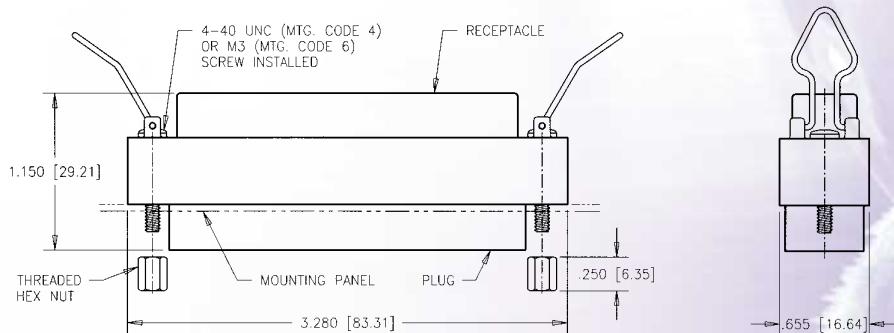


SOLDER CUP (FCC57 - 10500 - × × 0)



Adapter

PLUG/RECEPTACLE (FCC57 - 09500 - × × 0)

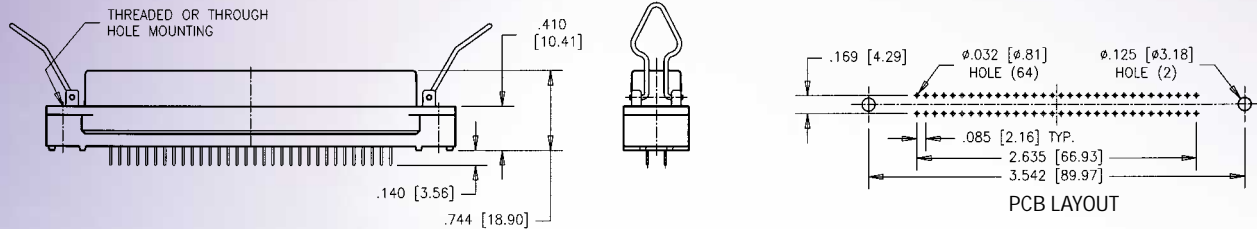


FCC57 Series 64 Size

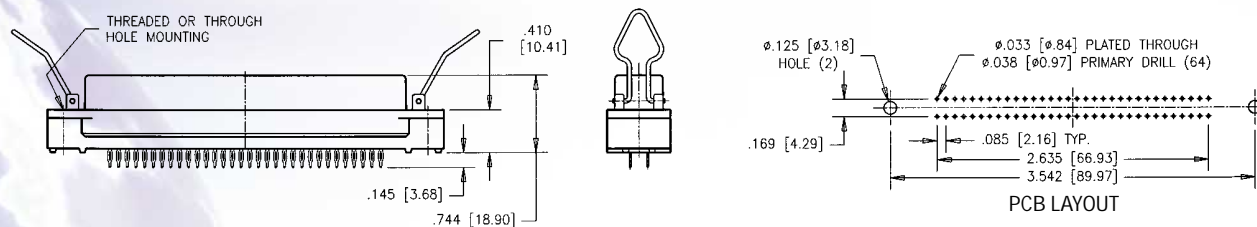
FILTERED MICRO-RIBBON CONNECTORS

Receptacle

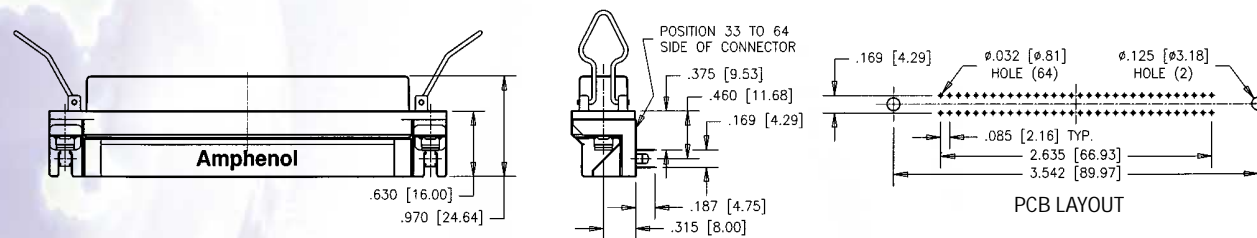
STRAIGHT PCB (FCC57 - 21640 - × 0)



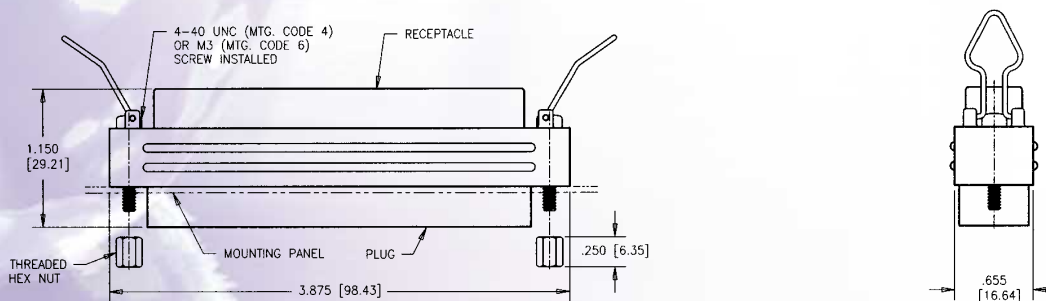
STRAIGHT PRESS-FIT (FCC57 - 25640 - × × 0)



RIGHT ANGLE PCB (FCC57 - 22640 - × × 0)



ADAPTER * (FCC57 - 09640 - × × 0)



*Consult Factory