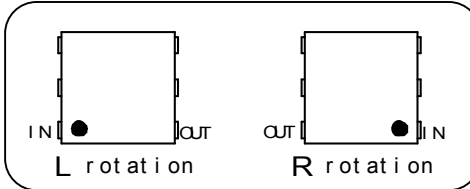


# 5mm SQUARE ISOLATOR

## MODEL ESI-5BB [ ] 0707 M 01 - T

(1) (2) (3) (4) (5) (6)

- (1) Series ESI-5BB ; 2.0mm Height for 800MHz Band
- (2) Rotating Direction (R or L)
- (3) Center Frequency
- (4) M ; MHz
- (5) Control No.
- (6) T ; Taping  
Blank;Bulk



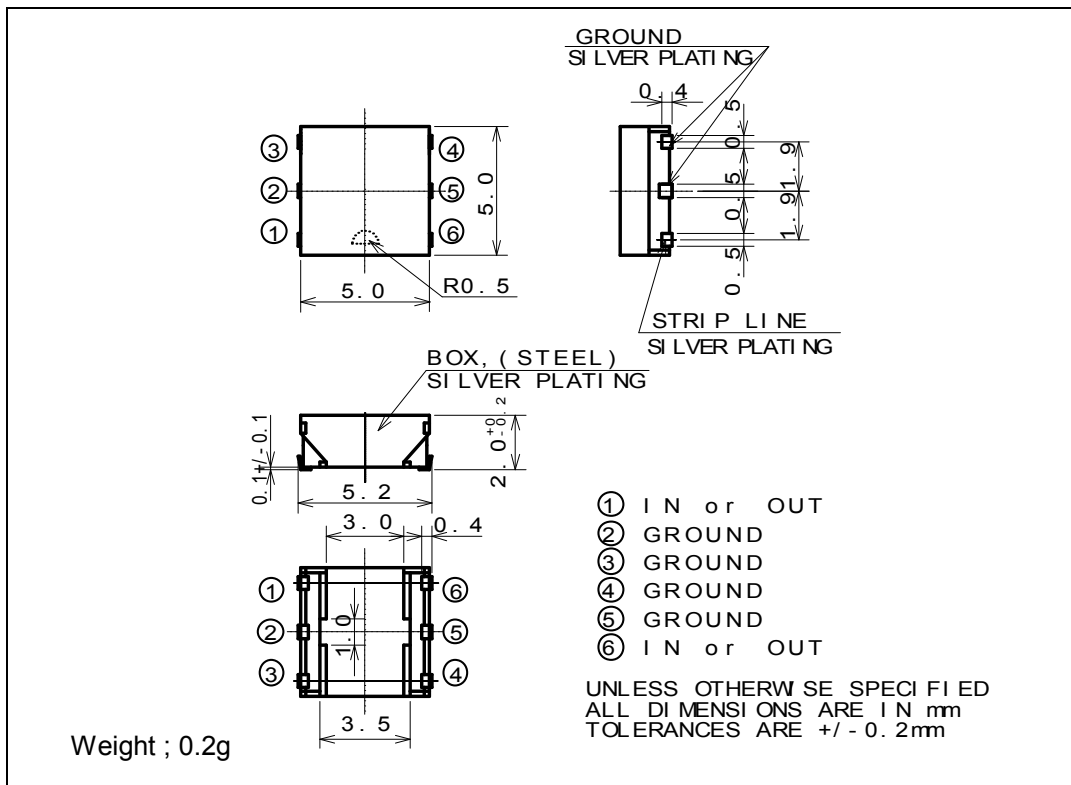
### Specification

Frequency (MHz)	Ins. Loss Max. (dB)	Isolation Min. (dB)	V.S.W.R (IN) Max.	V.S.W.R (OUT) Max.	Handling Power Max. (W)	Reflection Power Max. (W)
698-716	1.00	10	2.0	2.0	5.0	1.0

Operating Temperature(deg.C) ; -35 to +85

Impedance ; 50 ohms Typ.

### Shape & Size




TBE562

 **Hitachi Metals, Ltd. Tottori Works**

CONFIDENTIAL

The contents of this document is the property of Hitachi Metals Ltd. and may not be communicated to any other party in any form without the prior written contents of Hitachi Metals Ltd..

 **Materials Mag!c**

<http://www.hitachi-metals.co.jp/e/>