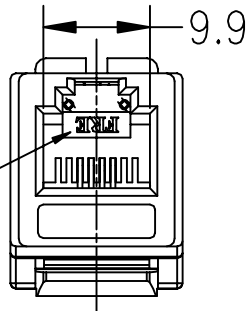
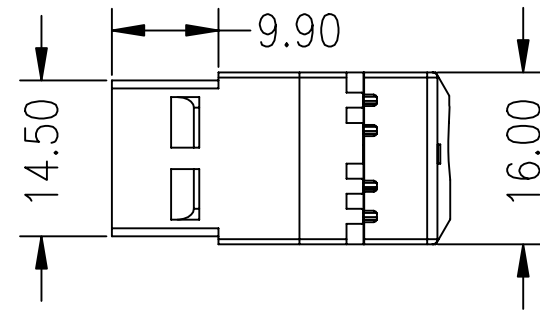
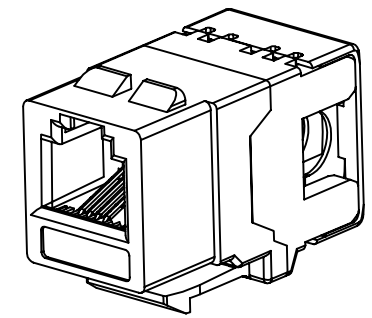
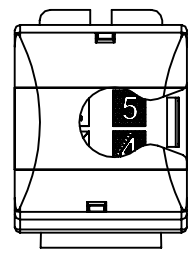
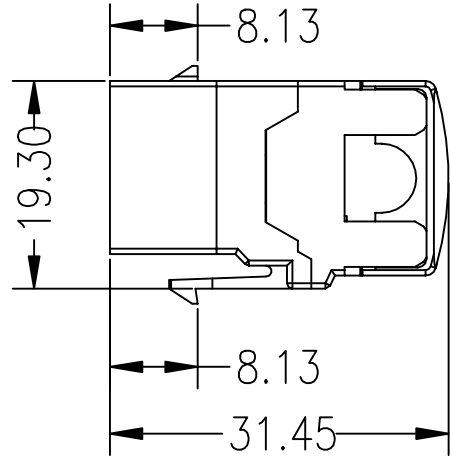


REVISION RECORD				
REV	ECO	DESCRIPTION	DRFT	CHKD



LOGO ABOVE THE SURFACE 0.20mm



MECHANICAL:

- 1.HOUSING MATERIAL:PC UL94V-0
- 2.INSERT MATERIAL: PBT+20%GF UL94V-0
- 3.PCB MATERIAL:FR-4 THINKNESS:1.6mm
- 4.CONTACT MATERIAL:PHOSPHOR BRONZE STAMP PIN T=0.35mm
- 5.IDC CONTACT MATERIAL:PHOSPHOR BRONZE T=0.50mm WITH SILVER OR NICKEL PLATING
- 6.WIRE :AWG 24~26
- 7.ROHS COMPLIANT
- PART NUMBER:E6164-YXAXHX-L

V-W/ONLY FRE LOGO
W-W/O C3&FRE LOGO

- 1-3u"
- 2-6u" 4-30u"
- 3-15u" 5-50u"
- B-SNOWY WHITE
- R-CANARY
- S-DEEP YELLOW
- L-CREAM-COLORED

NOTES:

ELECTRICAL:

- 1. VOLTAGE RATING : 125 VAC RMS.
- 2. CURRENT RATING : 1.5 AMP.
- 3. CONTACT RESISTANCE : 100 MILLIOHMS MAX.
- 4. INSULATION RESISTANCE : 1000 MEGOHMS MIN @ 500 VDC.
- 5. DIELECTRIC STRENGTH : 750 VAC RMS 60Hz, 1MIN.

ENVIRONMENTAL:

- 1. STORAGE : -40°C TO +85°C.
- 2. OPERATION : 0°C TO +70°C.



RoHS Compliant

FULL RISE ELECTRONIC CO., LTD

DETACHED LISTS	MM (INCH)		DFTO FAM	DATE 10/10/06
	TOLERANCES EXCEPT AS NOTED		CHKD	DATE
			MFO	DATE
			APPVL	DATE
MM		±	MATERIAL :	
.0 ± 0.2		±	ANGLES ± 0.5	
.00 ± 0.15		±	QT'Y :	
.000 ± 0.075		±	FINISH :	
THIRD ANGLE PROJECTION		SCALE : 1:1		

TITLE		SIZE	REV
180° C3 KEYSTONE(SCUD#)(OUTER 8 INNER 6)		A3	0
DRAWING NO. GE613102-LC		10/10/06	
/PART NO. SEE NOTE			
DO NOT SCALE DRAWING		SHEET 1	OF 1