



# Low-Voltage Single SPDT Analog Switch

## FEATURES

- Low Voltage Operation (1.8 V to 5.5 V)
- Low On-Resistance -  $r_{DS(on)}$ : 1  $\Omega$  Typ.
- Fast Switching -  $t_{ON}$ : 17 ns,  $t_{OFF}$ : 13 ns
- Low Leakage
- TTL/CMOS Compatible
- 6-Pin SC-70 Package

## BENEFITS

- Reduced Power Consumption
- Simple Logic Interface
- High Accuracy
- Reduce Board Space

## APPLICATIONS

- Cellular Phones
- Communication Systems
- Portable Test Equipment
- Battery Operated Systems
- Sample and Hold Circuits

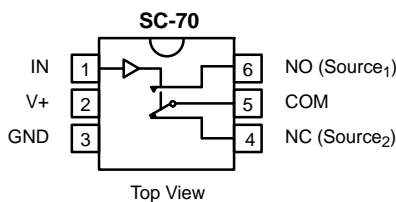
## DESCRIPTION

The DG2012 is a single-pole/double-throw monolithic CMOS analog switch designed for high performance switching of analog signals. Combining low power, high speed ( $t_{ON}$ : 17 ns,  $t_{OFF}$ : 13 ns), low on-resistance ( $r_{DS(on)}$ : 1  $\Omega$ ) and small physical size (SC70), the DG2012 is ideal for portable and battery powered applications requiring high performance and efficient use of board space.

The DG2012 is built on Vishay Siliconix's low voltage submicron CMOS process. An epitaxial layer prevents latchup. Break-before -make is guaranteed for DG2012.

Each switch conducts equally well in both directions when on, and blocks up to the power supply level when off.

## FUNCTIONAL BLOCK DIAGRAM AND PIN CONFIGURATION



Device Marking: E7xx

### TRUTH TABLE

Logic	NC	NO
0	ON	OFF
1	OFF	ON

### ORDERING INFORMATION

Temp Range	Package	Part Number
-40 to 85°C	SC70-6	DG2012DL



**ABSOLUTE MAXIMUM RATINGS**

Reference to GND

V+ .....	-0.3 to +6 V
IN, COM, NC, NO <sup>a</sup> .....	-0.3 to (V+ + 0.3 V)
Continuous Current (NO, NC and COM Pins) .....	± 100 mA
Peak Current (Pulsed at 1 ms, 10% duty cycle) .....	± 300 mA
Storage Temperature (D Suffix) .....	-65 to 150°C

Power Dissipation (Packages) <sup>b</sup>	
6-Pin SO70 <sup>c</sup> .....	250 mW

- Notes:
- Signals on NC, NO, or COM or IN exceeding V+ will be clamped by internal diodes. Limit forward diode current to maximum current ratings.
  - All leads welded or soldered to PC Board.
  - Derate 3.1 mW/°C above 70°C

SPECIFICATIONS (V+ = 2.0 V)							
Parameter	Symbol	Test Conditions Otherwise Unless Specified V+ = 2.0 V, ± 10%, V <sub>IN</sub> = 0.4 or 1.6 V <sup>e</sup>	Temp <sup>a</sup>	Limits -40 to 85°C			Unit
				Min <sup>b</sup>	Typ <sup>c</sup>	Max <sup>b</sup>	
<b>Analog Switch</b>							
Analog Signal Range <sup>d</sup>	V <sub>NO</sub> , V <sub>NC</sub> , V <sub>COM</sub>		Full	0		V+	V
On-Resistance	r <sub>ON</sub>	V+ = 1.8 V, V <sub>COM</sub> = 0.2 V/0.9 V I <sub>NO</sub> , I <sub>NC</sub> = 10 mA	Room Full <sup>d</sup>		2.7 2.7	5.3 5.3	Ω
r <sub>ON</sub> Flatness <sup>d</sup>	r <sub>ON</sub> Flatness	V+ = 1.8 V, V <sub>COM</sub> = 0 to V+, I <sub>NO</sub> , I <sub>NC</sub> = 10 mA	Room			3	
r <sub>ON</sub> Match <sup>d</sup>	Δr <sub>ON</sub>		Room			0.25	
Switch Off Leakage Current <sup>f</sup>	I <sub>NO(off)</sub> , I <sub>NC(off)</sub>	V+ = 2.2 V V <sub>NO</sub> , V <sub>NC</sub> = 0.5 V/1.5 V, V <sub>COM</sub> = 1.5 V/0.5 V	Room Full <sup>d</sup>	-0.5 -5.0		0.5 5.0	nA
	I <sub>COM(off)</sub>		Room Full <sup>d</sup>	-0.5 -5.0		0.5 5.0	
Channel-On Leakage Current <sup>f</sup>	I <sub>COM(on)</sub>	V+ = 2.2 V, V <sub>NO</sub> , V <sub>NC</sub> = V <sub>COM</sub> = 0.5 V/1.5 V	Room Full <sup>d</sup>	-0.5 -5.0		0.5 5.0	
<b>Digital Control</b>							
Input High Voltage	V <sub>INH</sub>		Full	1.6			V
Input Low Voltage	V <sub>INL</sub>		Full			0.4	
Input Capacitance <sup>d</sup>	C <sub>in</sub>		Full		3		pF
Input Current <sup>f</sup>	I <sub>INL</sub> or I <sub>INH</sub>	V <sub>IN</sub> = 0 or V+	Full	-1		1	μA
<b>Dynamic Characteristics</b>							
Turn-On Time <sup>d</sup>	t <sub>ON</sub>	V <sub>NO</sub> or V <sub>NC</sub> = 1.5 V, R <sub>L</sub> = 300 Ω, C <sub>L</sub> = 35 pF Figures 1 and 2	Room Full <sup>d</sup>		43	63 65	ns
Turn-Off Time <sup>d</sup>	t <sub>OFF</sub>		Room Full <sup>d</sup>		23	45 46	
Break-Before-Make Time <sup>d</sup>	t <sub>d</sub>		Room	2			
Charge Injection <sup>d</sup>	Q <sub>INJ</sub>	C <sub>L</sub> = 1 nF, V <sub>GEN</sub> = 0 V, R <sub>GEN</sub> = 0 Ω, Figure 3	Room		7		pC
Off-Isolation <sup>d</sup>	OIRR	R <sub>L</sub> = 50 Ω, C <sub>L</sub> = 5 pF, f = 1 MHz	Room		-63		dB
Crosstalk <sup>d</sup>	X <sub>TALK</sub>		Room		-64		
NO, NC Off Capacitance <sup>d</sup>	C <sub>NO(off)</sub> , C <sub>NC(off)</sub>	V <sub>IN</sub> = 0 or V+, f = 1 MHz	Room		22		pF
Channel-On Capacitance <sup>d</sup>	C <sub>ON</sub>		Room		58		



SPECIFICATIONS (V+ = 3.0 V)							
Parameter	Symbol	Test Conditions Otherwise Unless Specified V+ = 3 V, ± 10%, VIN = 0.6 or 2.0 V <sup>e</sup>	Temp <sup>a</sup>	Limits -40 to 85°C			Unit
				Min <sup>b</sup>	Typ <sup>c</sup>	Max <sup>b</sup>	
<b>Analog Switch</b>							
Analog Signal Range <sup>d</sup>	V <sub>NO</sub> , V <sub>NC</sub> , V <sub>COM</sub>		Full	0		V+	V
On-Resistance	r <sub>ON</sub>	V+ = 2.7 V, V <sub>COM</sub> = 0.2 V/1.5 V, I <sub>NO</sub> I <sub>NC</sub> = 10 mA	Room Full		1.4 1.6	2.1 2.3	Ω
r <sub>ON</sub> Flatness	r <sub>ON</sub> Flatness	V+ = 2.7 V, V <sub>COM</sub> = 0 to V+, I <sub>NO</sub> , I <sub>NC</sub> = 10 mA	Room			0.85	
r <sub>ON</sub> MatchFlat	Δr <sub>ON</sub>		Room				
Switch Off Leakage Current <sup>f</sup>	I <sub>NO(off)</sub> , I <sub>NC(off)</sub>	V+ = 3.3 V V <sub>NO</sub> , V <sub>NC</sub> = 1 V/3 V, V <sub>COM</sub> = 3 V/1 V	Room Full	-0.5 -5.0		0.5 5.0	nA
	I <sub>COM(off)</sub>		Room Full	-0.5 -5.0		0.5 5.0	
Channel-On Leakage Current <sup>f</sup>	I <sub>COM(on)</sub>	V+ = 3.3 V, V <sub>NO</sub> , V <sub>NC</sub> = V <sub>COM</sub> = 1 V/3 V	Room Full	-0.5 -5.0		0.5 5.0	
<b>Digital Control</b>							
Input High Voltage	V <sub>INH</sub>		Full	2			V
Input Low Voltage	V <sub>INL</sub>		Full			0.6	
Input Capacitance <sup>d</sup>	C <sub>in</sub>		Full		3		pF
Input Current <sup>f</sup>	I <sub>INL</sub> or I <sub>INH</sub>	V <sub>IN</sub> = 0 or V+	Full	-1		1	μA
<b>Dynamic Characteristics</b>							
Turn-On Time	t <sub>ON</sub>	V <sub>NO</sub> or V <sub>NC</sub> = 2.0 V, R <sub>L</sub> = 300 Ω, C <sub>L</sub> = 35 pF Figure 1 and 2	Room Full		27	47 48	ns
Turn-Off Time	t <sub>OFF</sub>		Room Full		17	37 38	
Break-Before-Make Time	t <sub>d</sub>		Room	1			
Charge Injection <sup>d</sup>	Q <sub>INJ</sub>	C <sub>L</sub> = 1 nF, V <sub>GEN</sub> = 0 V, R <sub>GEN</sub> = 0 Ω, Figure 3	Room		10		pC
Off-Isolation <sup>d</sup>	OIRR	R <sub>L</sub> = 50 Ω, C <sub>L</sub> = 5 pF, f = 1 MHz	Room		-63		dB
Crosstalk <sup>d</sup>	X <sub>TALK</sub>		Room		-64		
NO, NC Off Capacitance <sup>d</sup>	C <sub>NO(off)</sub> , C <sub>NC(off)</sub>	V <sub>IN</sub> = 0 or V+, f = 1 MHz	Room		21		pF
Channel-On Capacitance <sup>d</sup>	C <sub>ON</sub>		Room		57		
<b>Power Supply</b>							
Power Supply Range	V+			1.8		5.5	V
Power Supply Current	I+	V <sub>IN</sub> = 0 or V+			0.01	1.0	μA

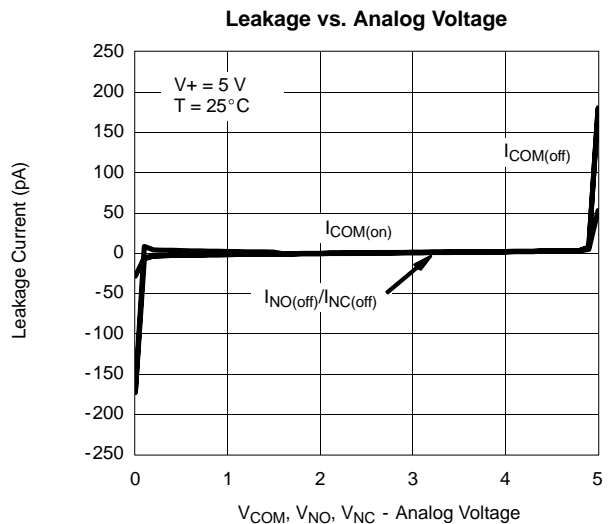
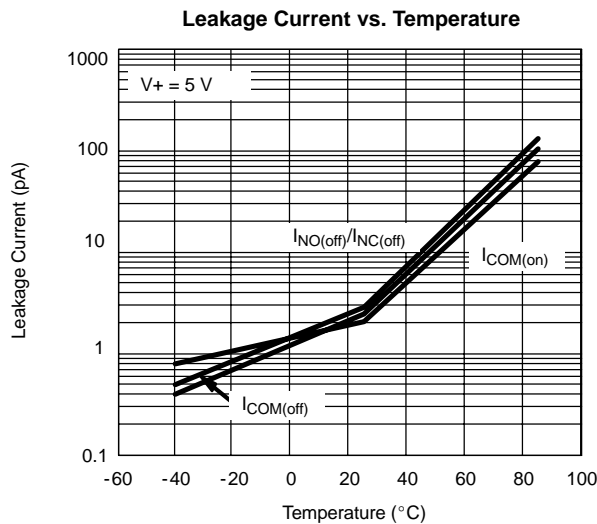
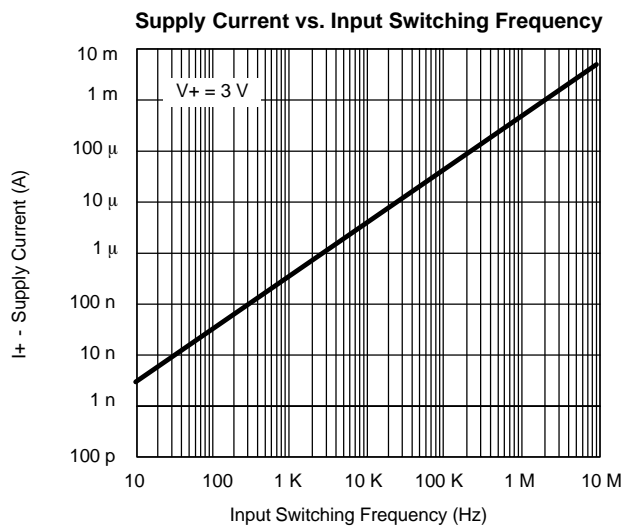
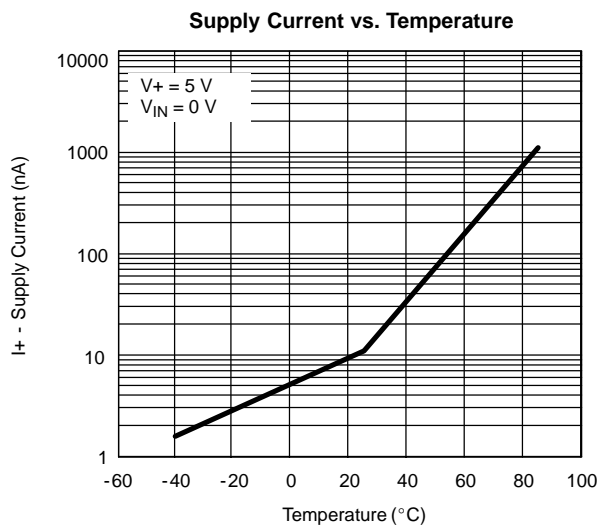
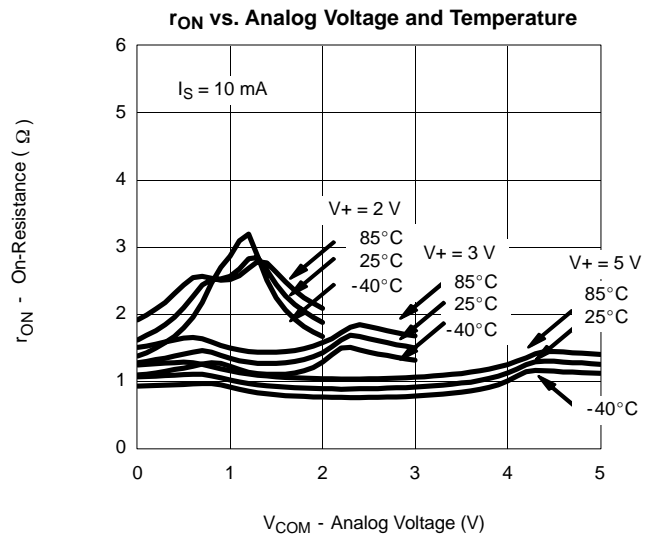
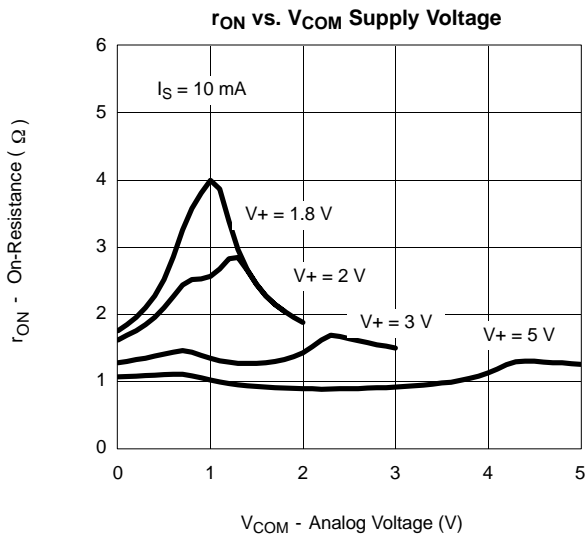
SPECIFICATIONS (V+ = 5.0 V)							
Parameter	Symbol	Test Conditions Otherwise Unless Specified V+ = 5 V, ± 10%, VIN = 0.8 or 2.4 V <sup>e</sup>	Temp <sup>a</sup>	Limits -40 to 85°C			Unit
				Min <sup>b</sup>	Typ <sup>c</sup>	Max <sup>b</sup>	
<b>Analog Switch</b>							
Analog Signal Range <sup>d</sup>	V <sub>NO</sub> , V <sub>NC</sub> , V <sub>COM</sub>		Full	0		V+	V
On-Resistance	r <sub>ON</sub>	V+ = 4.5 V, V <sub>COM</sub> = 0.5 V/2.5 V I <sub>NO</sub> , I <sub>NC</sub> = 10 mA	Room Full		1.0 1.2	1.8 1.9	Ω
r <sub>ON</sub> Flatness <sup>d</sup>	r <sub>ON</sub> Flatness	V+ = 4.5 V, V <sub>COM</sub> = 0 to V+, I <sub>NO</sub> , I <sub>NC</sub> = 10 mA	Room			0.55	
r <sub>ON</sub> Match <sup>d</sup>	Δr <sub>ON</sub>		Room				
Switch Off Leakage Current	I <sub>NO(off)</sub> , I <sub>NC(off)</sub>	V+ = 5.0 V V <sub>NO</sub> , V <sub>NC</sub> = 0.5 V/4.5 V, V <sub>COM</sub> = 4.5 V/0.5 V	Room Full	-0.5 -5.0		0.5 5.0	nA
	I <sub>COM(off)</sub>		Room Full	-0.5 -5.0		0.5 5.0	
Channel-On Leakage Current	I <sub>COM(on)</sub>	V+ = 5.0 V, V <sub>NO</sub> , V <sub>NC</sub> = V <sub>COM</sub> = 0.5 V/4.5 V	Room Full	-0.5 -5.0		0.5 5.0	
<b>Digital Control</b>							
Input High Voltage	V <sub>INH</sub>		Full	2.4			V
Input Low Voltage	V <sub>INL</sub>		Full			0.8	
Input Capacitance	C <sub>in</sub>		Full		3		pF
Input Current	I <sub>INL</sub> or I <sub>INH</sub>	V <sub>IN</sub> = 0 or V+	Full	-1		1	μA
<b>Dynamic Characteristics</b>							
Turn-On Time <sup>d</sup>	t <sub>ON</sub>	V <sub>NO</sub> or V <sub>NC</sub> = 3 V, R <sub>L</sub> = 300 Ω, C <sub>L</sub> = 35 pF Figure 1 and 2	Room Full		17	38 39	ns
Turn-Off Time <sup>d</sup>	t <sub>OFF</sub>		Room Full		13	32 33	
Break-Before-Make Time <sup>d</sup>	t <sub>d</sub>		Room	1			
Charge Injection <sup>d</sup>	Q <sub>INJ</sub>	C <sub>L</sub> = 1 nF, V <sub>GEN</sub> = 0 V, R <sub>GEN</sub> = 0 Ω, Figure 3	Room		20		pC
Off-Isolation <sup>d</sup>	OIRR	R <sub>L</sub> = 50 Ω, C <sub>L</sub> = 5 pF, f = 1 MHz	Room		-63		dB
Crosstalk <sup>d</sup>	X <sub>TALK</sub>		Room		-64		
Source-Off Capacitance <sup>d</sup>	C <sub>NO(off)</sub> , C <sub>NC(off)</sub>	V <sub>IN</sub> = 0 or V+, f = 1 MHz	Room		20		pF
Channel-On Capacitance <sup>d</sup>	C <sub>ON</sub>		Room		56		

Notes:

- Room = 25°C, Full = as determined by the operating suffix.
- The algebraic convention whereby the most negative value is a minimum and the most positive a maximum, is used in this data sheet.
- Typical values are for design aid only, not guaranteed nor subject to production testing.
- Guarantee by design, nor subjected to production test.
- V<sub>IN</sub> = input voltage to perform proper function.
- Guaranteed by 5-V leakage testing, not production tested.



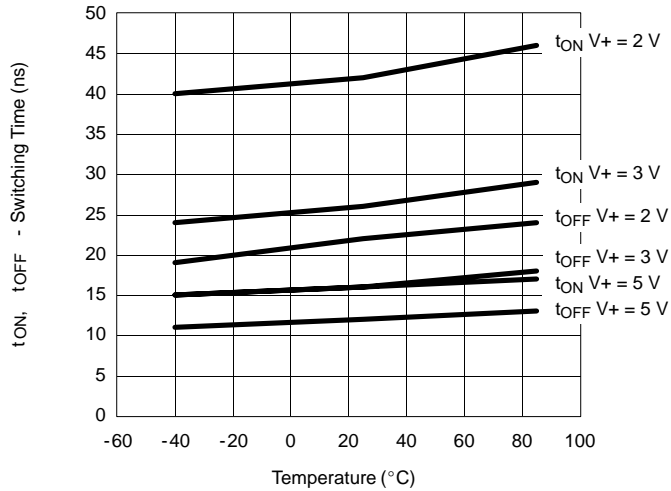
**TYPICAL CHARACTERISTICS (25°C UNLESS NOTED)**



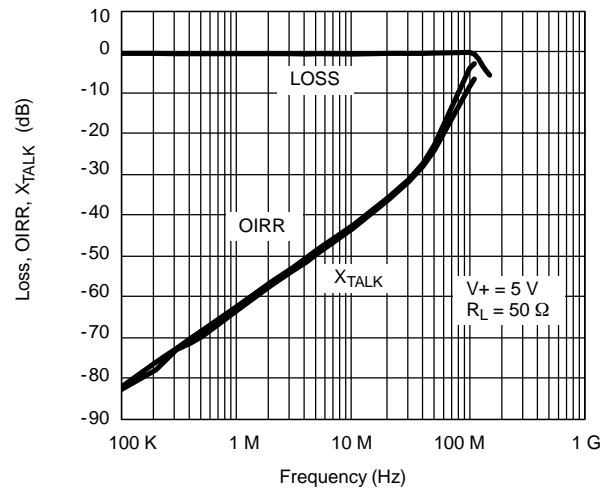


**TYPICAL CHARACTERISTICS (25°C UNLESS NOTED)**

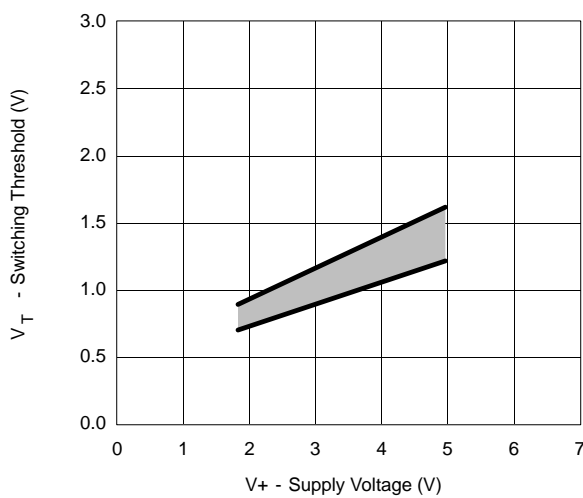
Switching Time vs. Temperature and Supply Voltage



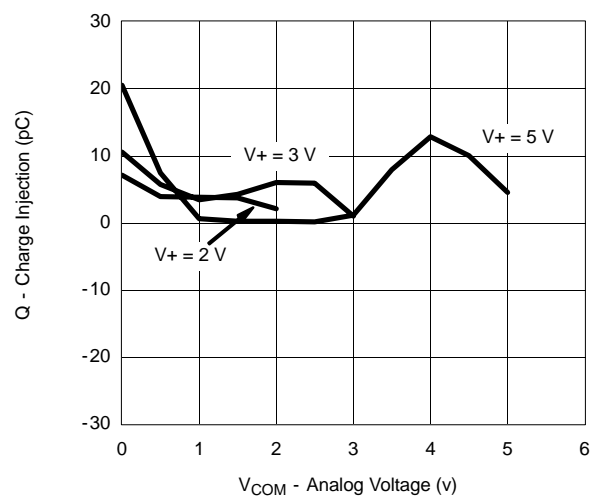
Insertion Loss, Off-Isolation, Crosstalk vs. Frequency



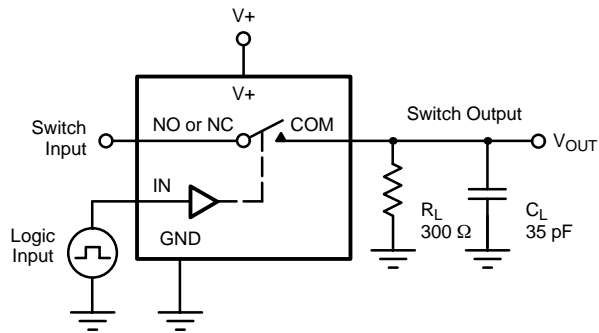
Switching Threshold vs. Supply Voltage



Charge Injection vs. Analog Voltage

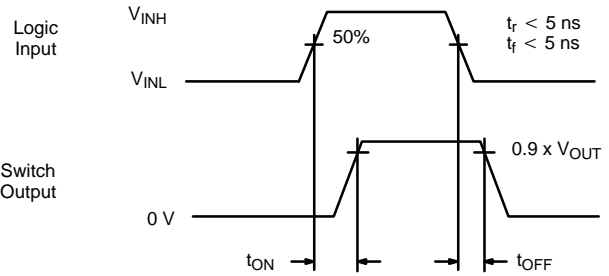


**TEST CIRCUITS**



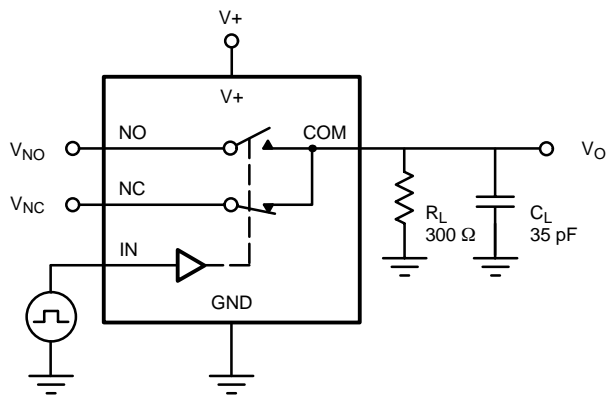
$C_L$  (includes fixture and stray capacitance)

$$V_{OUT} = V_{COM} \left( \frac{R_L}{R_L + R_{ON}} \right)$$



Logic "1" = Switch On  
Logic input waveforms inverted for switches that have the opposite logic sense.

FIGURE 1. Switching Time



$C_L$  (includes fixture and stray capacitance)

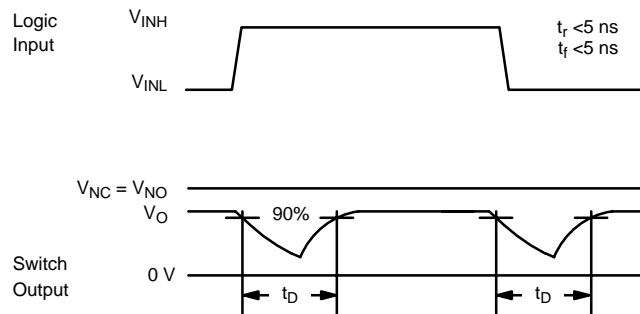
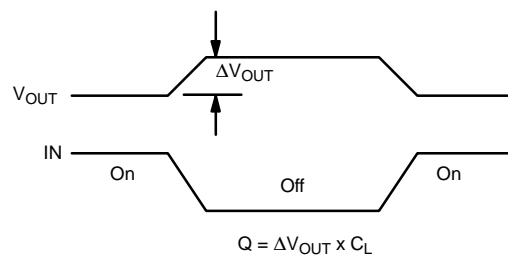
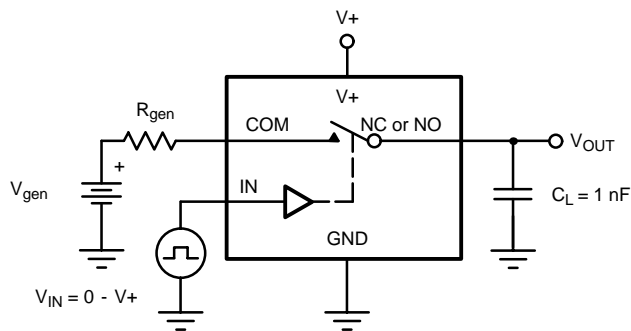


FIGURE 2. Break-Before-Make Interval



IN depends on switch configuration: input polarity determined by sense of switch.

FIGURE 3. Charge Injection

**TEST CIRCUITS**

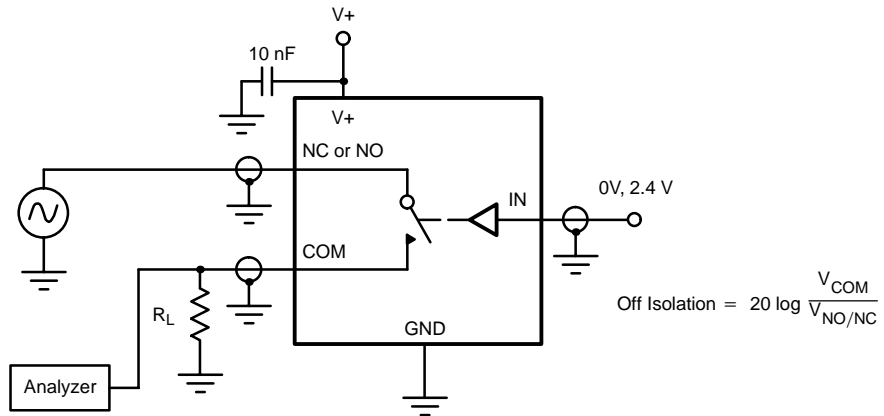


FIGURE 4. Off-Isolation

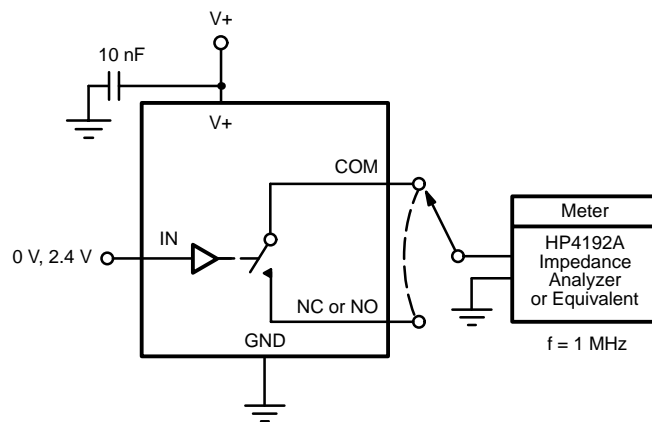


FIGURE 5. Channel Off/On Capacitance





## Notice

Specifications of the products displayed herein are subject to change without notice. Vishay Intertechnology, Inc., or anyone on its behalf, assumes no responsibility or liability for any errors or inaccuracies.

Information contained herein is intended to provide a product description only. No license, express or implied, by estoppel or otherwise, to any intellectual property rights is granted by this document. Except as provided in Vishay's terms and conditions of sale for such products, Vishay assumes no liability whatsoever, and disclaims any express or implied warranty, relating to sale and/or use of Vishay products including liability or warranties relating to fitness for a particular purpose, merchantability, or infringement of any patent, copyright, or other intellectual property right.

The products shown herein are not designed for use in medical, life-saving, or life-sustaining applications. Customers using or selling these products for use in such applications do so at their own risk and agree to fully indemnify Vishay for any damages resulting from such improper use or sale.