

MICRO SWITCH
a Honeywell Division

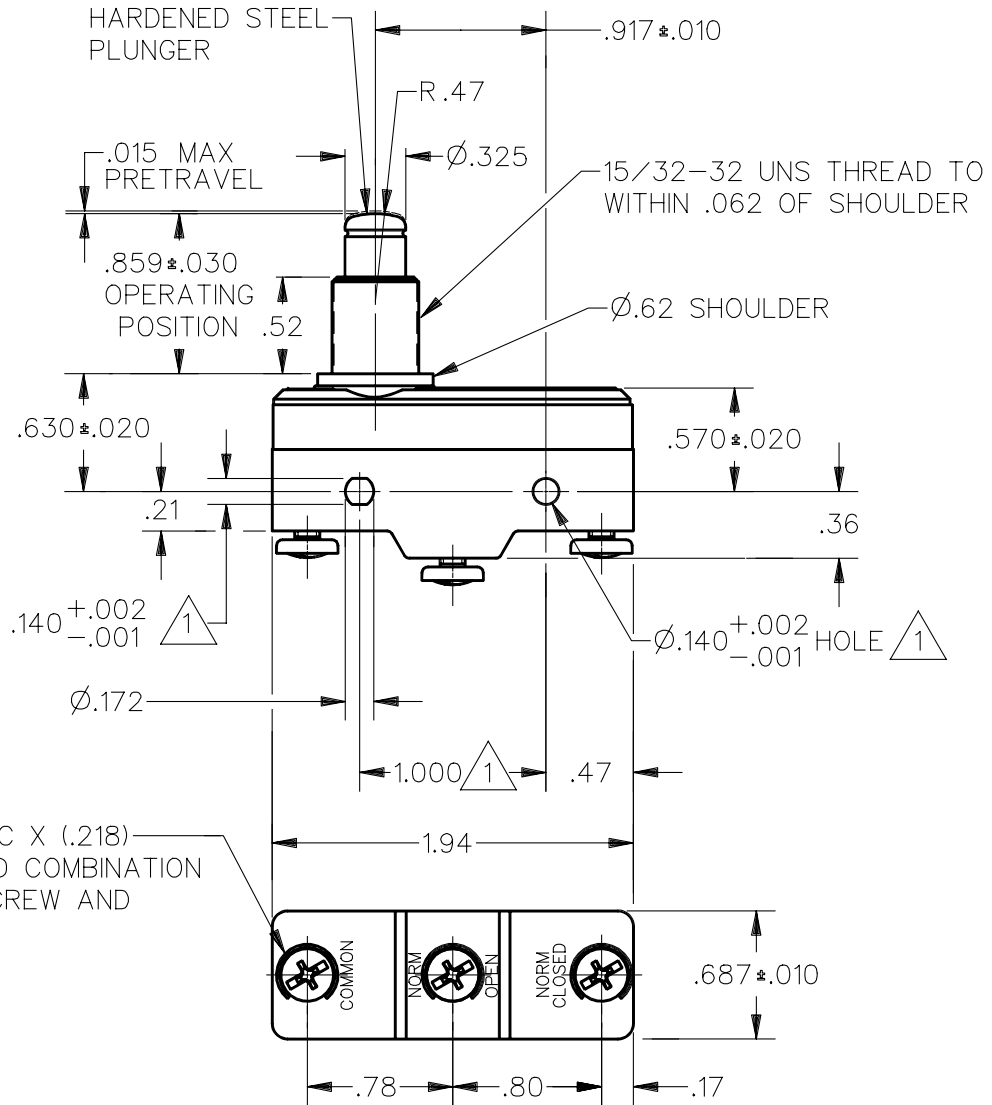
SWITCH - BASIC

CATALOG LISTING

BZ-2RQ1004-A2

FED. MFG. CODE 91 929

CATALOG LISTING
BZ-2RQ1004-A2
PAGE 1 OF 1
REPLACES
RELEASE NO. PR-20388
ISSUE
4



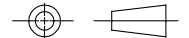
3X 6-32 UNC X (.218)
BINDING HEAD COMBINATION
TERMINAL SCREW AND
CUPWASHER

NOTE
1 MOUNTING HOLES WILL ACCEPT PINS OR SCREWS
OF Ø.139 MAX ON 1.000 ±.002 CENTERS

ANSI Y14.5M-1982 APPLIES

THIS DRAWING COVERS A PROPRIETARY ITEM AND IS THE PROPERTY OF MICRO SWITCH, A DIVISION OF HONEYWELL. THIS DRAWING IS NOT TO BE COPIED OR USED WITHOUT THE APPROVAL OF MICRO SWITCH.

THIRD ANGLE PROJECTION



CHARACTERISTICS	ELECTRICAL DATA	SCALE FULL	DO NOT SCALE PRINT
OPERATING FORCE - - - - - 9 - 13 OZ	CONTACT ARRANGEMENT S P D T	UNLESS OTHERWISE SPECIFIED TOLERANCES ARE ONE PLACE (.0) ±.030 TWO PLACE (.00) ±.015 THREE PLACE (.000) ±.005 ANGLES ± WEIGHT .094 LB	
RELEASE FORCE - - - - - 4 OZ MIN	L96 15A 125, 250 OR 480 VAC 1/8HP 125 VAC, 1/4HP 250 VAC 1/2A 125 VDC, 1/4A 250 VDC		
DIFFERENTIAL TRAVEL - - .0004-.0020	L288 L299 L306		
OVERTRAVEL - - - - - .219 MIN	CE ⓓ RUL Ⓢ 16A 250V ~ T85 5E4		

REVISIONS
A CO-77589 LJP 31 MAR 94
B CO-92530 GRT 27 MAR 98
C CO93346 D.L.T. 11 SEP 98
CHECK
W J C 12 NOV 92
CHECK
W J C 12 NOV 92
CHECK
W J C 12 NOV 92
DRAWN
J W B 4 NOV 92

DDM/CAD