

HIGH FREQUENCY MULTILAYER CHIP BEAD

ACHB-0603



RoHS
Compliant



1.6 x 0.8 x 0.8mm

FEATURES:

- High frequency noise countermeasure
- Multilayer monolithic construction yields high reliability
- Noise suppression in ultra high speed circuits

APPLICATIONS:

- Computer mobile communication system products
- Suitable for ultra high speed circuits

STANDARD SPECIFICATIONS:

PARAMETERS

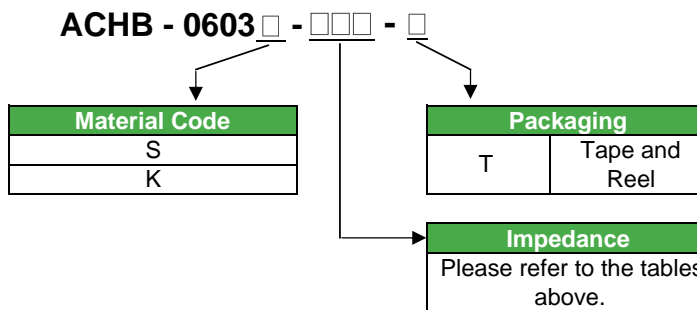
ABRACON P/N:	ACHB-0603x-xxx Series
Operating temperature:	-55°C to + 125°C
Storage temperature:	-55°C to + 125°C

Part Number	Z (Ω) $\pm 25\%$	RDC Ω Max	IRATE mA Max
ACHB-0603S-121	120	0.5	300
ACHB-0603S-221	220	0.7	200
ACHB-0603S-301	300	0.8	200
ACHB-0603S-601	600	1.0	100
ACHB-0603S-102	1000	1.3	100
ACHB-0603K-121	120	1.0	300
ACHB-0603K-221	220	1.2	200
ACHB-0603K-301	300	1.4	200
ACHB-0603K-601	600	1.5	100
ACHB-0603K-102	1000	1.8	100

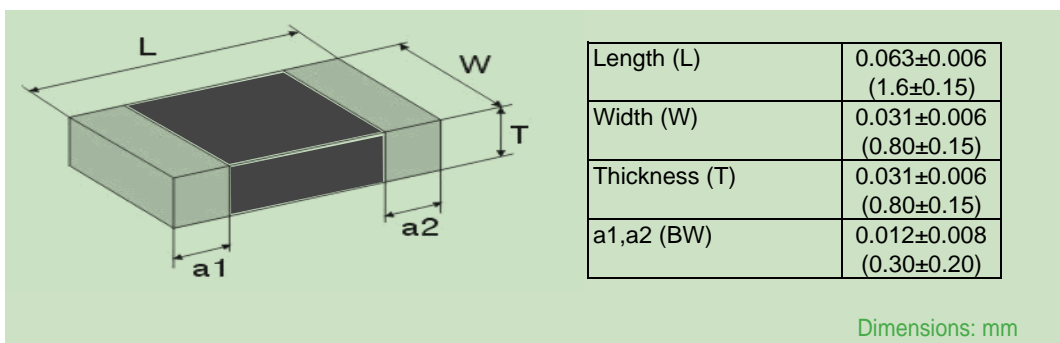
Ir is the rated current applied when the chip surface temperature rise 20°C

OPTIONS AND PART IDENTIFICATION:

(Left blank if standard)



OUTLINE DRAWING:



HIGH FREQUENCY MULTILAYER CHIP BEAD

ACHB-0603



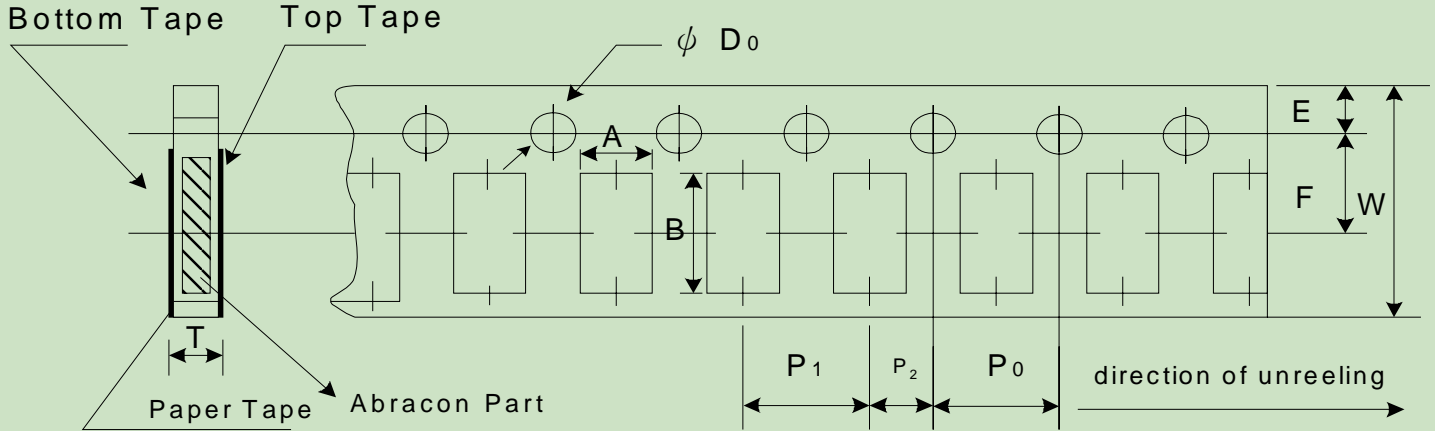
RoHS
Compliant



1.6 x 0.8 x 0.8mm

TAPE & REEL: Tape and reel 4,000pcs/reel

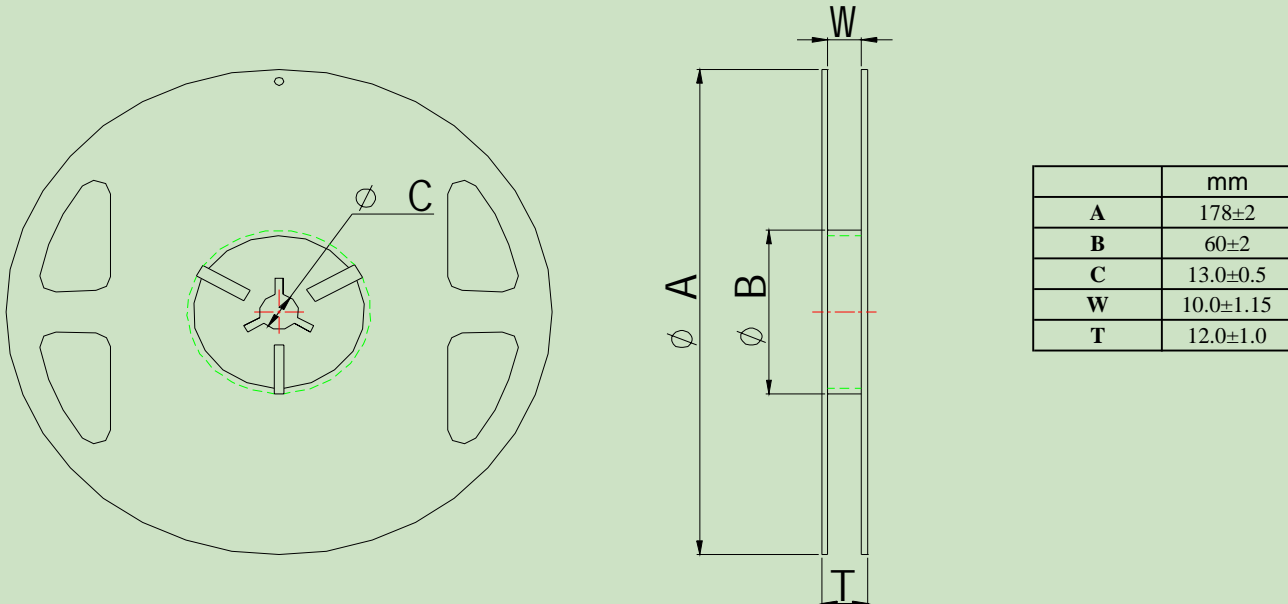
Dimensions of Tape



Codes	A	B	W	E	F
ACHB-0603	1.10±0.05	1.90±0.05	8.00±0.10	1.75±0.05	3.5±0.05

Codes	P ₀	P ₁	P ₂	ΦD ₀	T
ACHB-0603	4.00±0.10	4.00±0.10	2.00±0.05	1.55±0.05	0.60±0.03

Dimensions of Reel



ABRACON IS
ISO 9001 / QS 9000
CERTIFIED



Visit www.abracon.com for Terms & Conditions of Sale **Revised: 10.05.07**
30332 Esperanza, Rancho Santa Margarita, California 92688
tel 949-546-8000 | fax 949-546-8001 | www.abracon.com