

# SERIES 89

## 5,0mm Eurostyle® Single-piece (fixed) Block

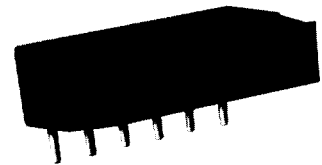
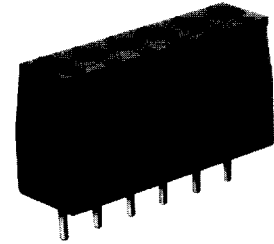
### Description

These Eurostyle® terminal blocks are single-piece styles for permanent mounting to PC boards. They offer the superior reliability of rising cage pressure clamps for securing wires. The product features a closed-bottom design to prevent solder wicking.

Made in the USA, all Eurostyle® terminal blocks embody the highest quality standards in the industry - using the finest materials and world class manufacturing processes. They meet or exceed all applicable industry standards.

### Features

- **Holds wires for a secure, reliable contact.** The specially designed rising cage pressure clamp compresses wires uniformly. Serrations produce a high pressure, gas-tight interface. Built for repeated engagements, it doesn't damage stranded wires.
- **Molded to length.** Unlike using many short lengths, they fit easily into PCB through-holes because there's no increase in pin-to-pin spacing.
- **High flammability rating.** 94V-0 is the highest available rating for the insulator - better than other leading brands.
- **Small footprint.** It's .388-in width is smaller than most brands, saving PCB real estate.



### PRODUCT RATINGS

UL	Class B	20 Amps @ 300 V	12 AWG
	Class C	10 Amps @ 300 V	12 AWG
CSA		15 Amps @ 300 V	12 AWG
IEC 947-7-1		17.5 Amps @ 250V	2,5mm <sup>2</sup>

### APPROVALS

UL	File No. E48521
	Guide No. XCFR2
CSA	File No. 025562

### TECHNICAL SPECIFICATIONS

<b>ELECTRICAL</b>	
DWV	4500 VDC
IR	>5000 Megohms
Contact resistance	<10 Milliohms initial

<b>MECHANICAL</b>	
Tightening torque	5 in.-lbs.
Wire strip length	1/4" or 6 mm
Wire Range	12 to 26 AWG

<b>ENVIRONMENTAL</b>	
Continuous Use Temp	
RTI electrical	110°C
RTI mechanical w/o impact	115°C

### OPTIONS

-10A	Sequential numbering
-49	Brass screws

### MATERIALS

Insulator	Polyamide, UL94V-0, black
Pressure Clamp	Brass, nickle plate
Contacts	Phosphor bronze, hot tin dip
Screws	Steel, zinc chromate plate

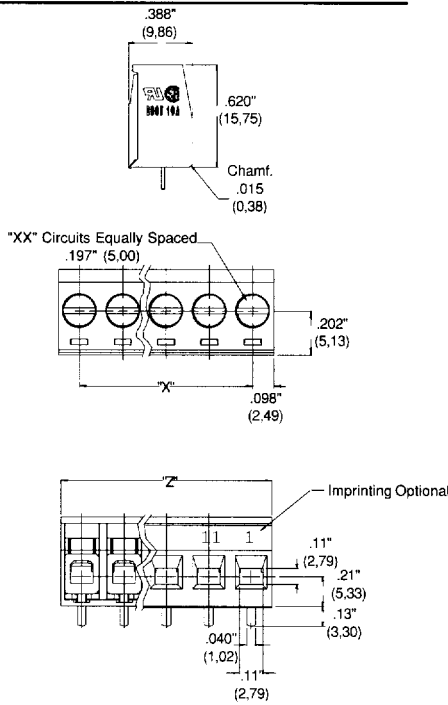
### HOW TO ORDER



SERIES	STYLE	NO. OF POLES	OPTIONS
	0508	2 to 24	(Dash #'s abc/e)

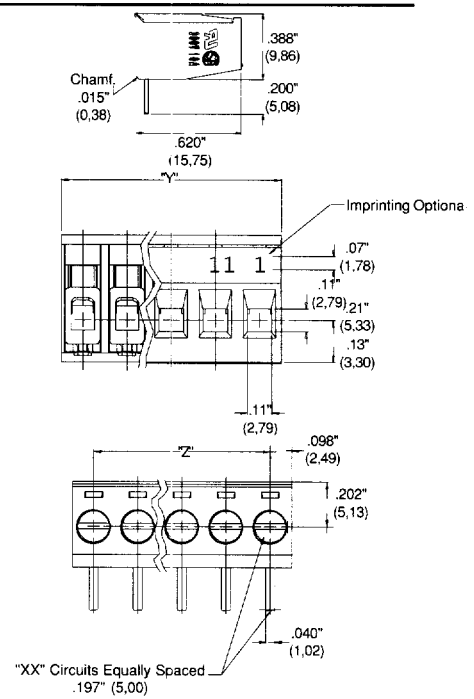
# SERIES 89

## Style 05



Part Number	X		Z	
	in	mm	in	mm
890502	.20	5,0	.39	10,0
890503	.39	10,0	.59	15,0
890504	.59	15,0	.79	20,0
890505	.79	20,0	.99	25,0
<hr/>				
890506	.98	25,0	1.18	30,0
890507	1.18	30,0	1.38	35,0
890508	1.38	35,0	1.58	40,0
890509	1.58	40,0	1.77	45,0
<hr/>				
890510	1.77	45,0	1.97	50,0
890511	1.97	50,0	2.17	55,0
890512	2.17	55,0	2.36	60,0
890513	2.36	60,0	2.56	65,0
<hr/>				
890514	2.56	65,0	2.76	70,0
890515	2.76	70,0	2.95	75,0
890516	2.95	75,0	3.15	80,0
890517	3.15	80,0	3.35	85,0
<hr/>				
890518	3.35	85,0	3.55	90,0
890519	3.55	90,0	3.74	95,0
890520	3.74	95,0	3.94	100,0
890521	3.94	100,0	4.14	105,0
<hr/>				
890522	4.14	105,0	4.33	110,0
890523	4.33	110,0	4.53	115,0
890524	4.53	115,0	4.73	120,0

## Style 08



Part Number	X		Z	
	in	mm	in	mm
890802	.20	5,0	.39	10,0
890803	.39	10,0	.59	15,0
890804	.59	15,0	.79	20,0
890805	.79	20,0	.99	25,0
<hr/>				
890806	.99	25,0	1.18	30,0
890807	1.18	30,0	1.38	35,0
890808	1.38	35,0	1.58	40,0
890809	1.58	40,0	1.77	45,0
<hr/>				
890810	1.77	45,0	1.97	50,0
890811	1.97	50,0	2.17	55,0
890812	2.17	55,0	2.36	60,0
890813	2.36	60,0	2.56	65,0
<hr/>				
890814	2.56	65,0	2.76	70,0
890815	2.76	70,0	2.95	75,0
890816	2.95	75,0	3.15	80,0
890817	3.15	80,0	3.35	85,0
<hr/>				
890818	3.35	85,0	3.55	90,0
890819	3.55	90,0	3.74	95,0
890820	3.74	95,0	3.94	100,0
890821	3.94	100,0	4.14	105,0
<hr/>				
890822	4.14	105,0	4.33	110,0
890823	4.33	110,0	4.53	115,0
890824	4.53	115,0	4.73	120,0