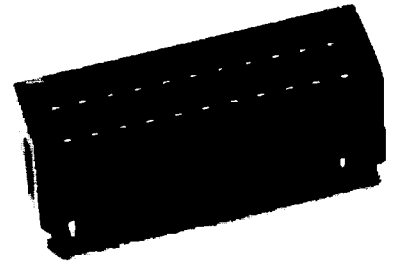
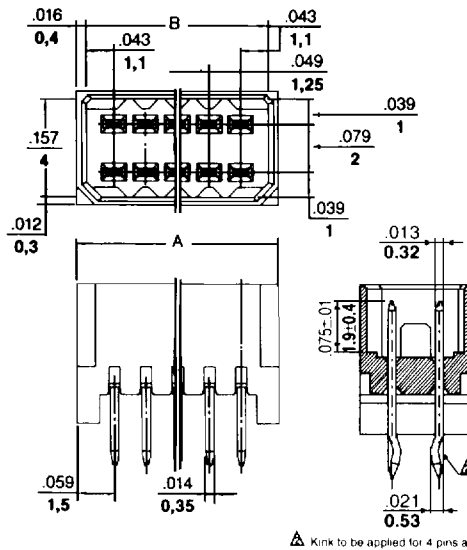
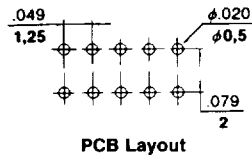


# 1.25mm .049" Center Board-to-Board System



## 53130 Series Dual Row Straight Header

- Nylon 6/6, UL 94 V-0
- Tin plated phosphor bronze pins
- 6-30 circuits (even numbers only)
- Mates with 52190
- Mated height: 7mm .276
- Mated width: 4.6mm .181

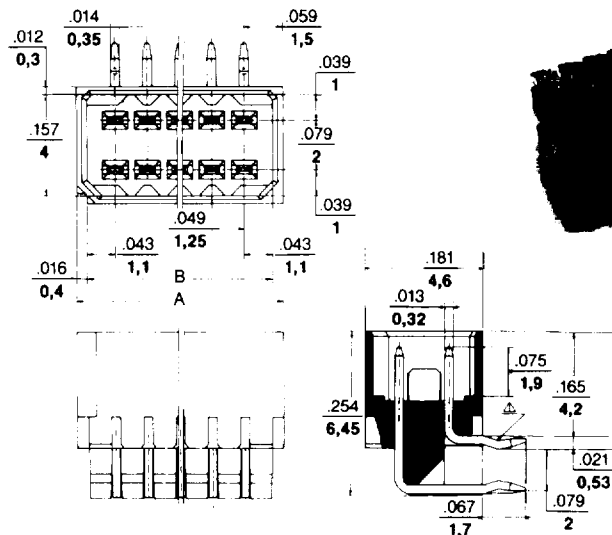
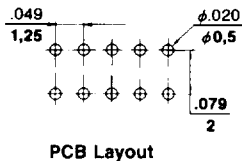


### Ordering Information and Dimensions

Circuits	Order No.	Dim. A		Dim. B		Circuits	Order No.	Dim. A		Dim. B	
		inch	mm	inch	mm			inch	mm	inch	mm
6	53130-0617	.217	5,50	.185	4,70	20	53130-2017	.561	14,25	.530	13,45
8	53130-0817	.266	6,75	.234	5,95	22	53130-2217	.610	15,50	.579	14,70
10	53130-1017	.315	8,00	.283	7,20	24	53130-2417	.659	16,75	.628	15,95
12	53130-1217	.364	9,25	.333	8,45	26	53130-2617	.709	18,00	.677	17,20
14	53130-1417	.413	10,50	.382	9,70	28	53130-2817	.758	19,25	.726	18,45
16	53130-1617	.463	11,75	.431	10,95	30	53130-3017	.807	20,50	.776	19,70
18	53130-1817	.512	13,00	.480	12,20						

## 53131 Series Dual Row Right Angle Header

- Nylon 6/6, UL 94 V-0
- Tin plated phosphor bronze pins
- 6-30 circuits (even numbers only)
- Mates with 52190
- Mated height: 7,95mm .313
- Mated width: 4,6mm .181



### Ordering Information and Dimensions

Circuits	Order No.	Dim. A		Dim. B		Circuits	Order No.	Dim. A		Dim. B	
		inch	mm	inch	mm			inch	mm	inch	mm
6	53131-0617	.217	5,50	.185	4,70	20	53131-2017	.561	14,25	.530	13,45
8	53131-0817	.266	6,75	.234	5,95	22	53131-2217	.610	15,50	.579	14,70
10	53131-1017	.315	8,00	.283	7,20	24	53131-2417	.659	16,75	.628	15,95
12	53131-1217	.364	9,25	.333	8,45	26	53131-2617	.709	18,00	.677	17,20
14	53131-1417	.413	10,50	.382	9,70	28	53131-2817	.758	19,25	.726	18,45
16	53131-1617	.463	11,75	.431	10,95	30	53131-3017	.807	20,50	.776	19,70
18	53131-1817	.512	13,00	.480	12,20						