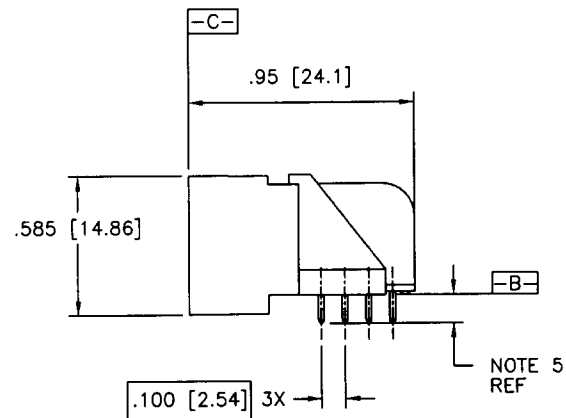
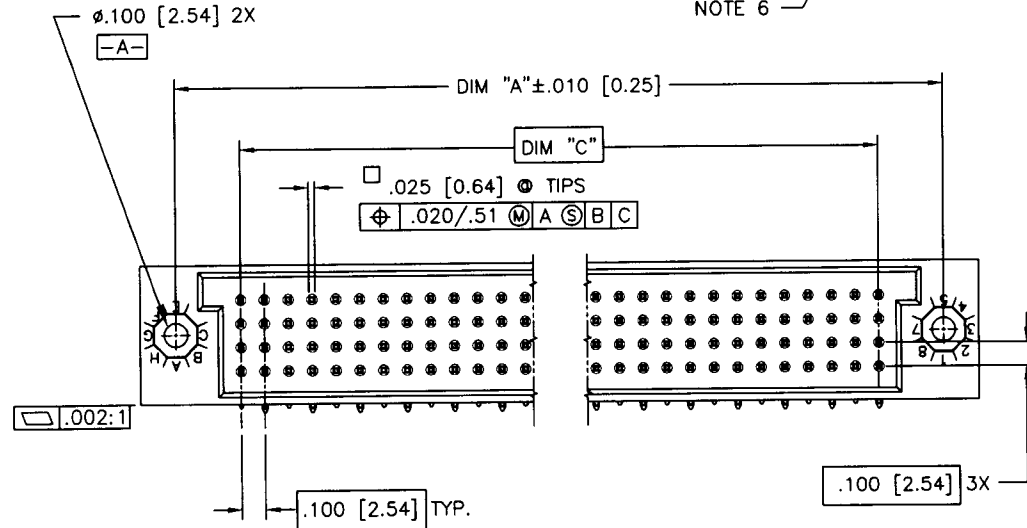
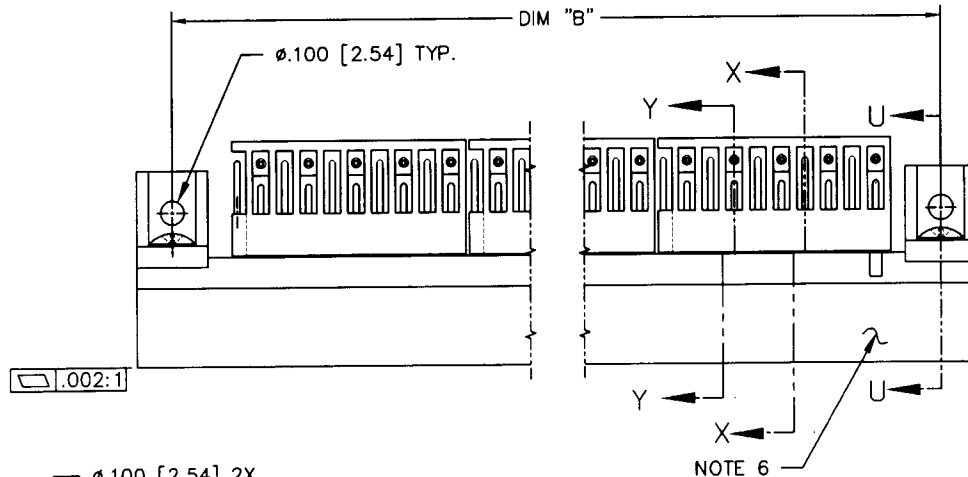


PRODUCT NUMBER
SEE TABLE - SHEET 2



mat'l. code NOTE 3				tolerances unless otherwise specified		CUSTOMER COPY	Electronics www.fciconnect.com	
ltr	ecn no	dr	date	linear	.XX±.01/.X±.3	projection 	title 4 ROW EE R/A HEADER SOLDER TO BOARD, 0 G.P.	
B	V22578	SAR	8/27/92	linear	.XXX±.005/.XX±.13		product family	HPC
C	V23373	SAR	10/9/92	angles	.XXX±.0020/.XXX±.051	INCH/MM	size	dwg no
D	V23606	SAR	11/4/92	angles	0° ±2°	scale	A 50130	
E	V23625	SAR	11/23/92	dr	S. ROYER 1/15/92	1:1	sheet 1 of 2	
F	V50192	MDF	2/8/95	engr	S. CLARK 5/20/92	cage code		
G	V90551	HTB	3/4/99	chr	S. CLARK 4/16/92	22526		
H	V00263	JWS	1/26/00	appd	S. CLARK 5/20/92	4		
sheet index	revision sheet	H	H	1	2			

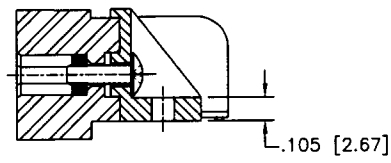
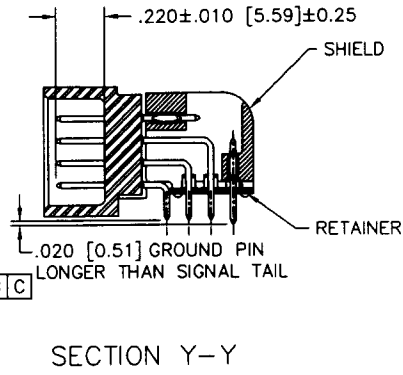
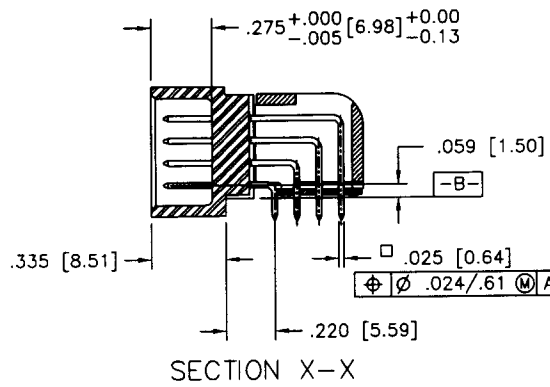
Tous droits strictement reserves. Reproduction ou communication a des tiers interdite sous quelque forme que ce soit sans autorisation ecrite du proprietaire. Propriete de c FCI. Droits de reproduction FCI.

All rights strictly reserved. Reproduction or issue to third parties in any form whatever is not permitted without written authority from the proprietor. Property of FCI. Copyright FCI.

Tous droits strictement reserves. Reproduction ou communication a des tiers interdite sous quelque forme que ce soit sans autorisation écrite du propriétaire. Propriete de c FCI. Droits de reproduction FCI.

All rights strictly reserved. Reproduction or issue to third parties in any form whatever is not permitted without written authority from the proprietor. Property of FCI. Copyright FCI.

PRODUCT NUMBER	STYLE	DIM "A"	DIM "B"	DIM "C"
	4 x 10	1.75/44.5	1.450/36.83	0.900/22.86
50130-X080X	4 x 20	2.75/69.9	2.450/62.23	1.900/48.26
50130-X120X	4 x 30	3.75/95.3	3.450/87.63	2.900/73.66
50130-X160X	4 x 40	4.75/120.7	4.450/113.03	3.900/99.06
50130-X200X	4 x 50	5.75/146.1	5.450/138.43	4.900/124.46
50130-X240X	4 x 60	6.75/171.5	6.450/138.43	5.900/149.86
50130-X280X	4 x 70	7.75/196.9	7.450/189.23	6.900/175.26
50130-X300X	4 x 80	8.75/222.3	8.450/214.63	7.900/200.66

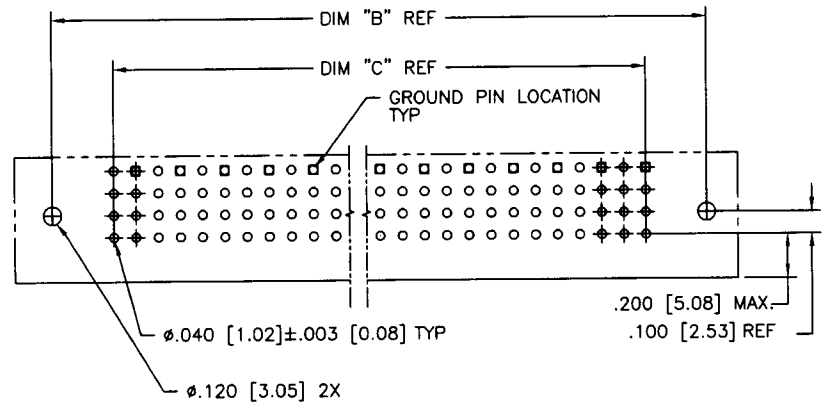


SECTION U-U
(w/PINS REMOVED)

NOTES:
 1. PRODUCT NUMBERING CODE:
 50130 - X YYY Z
 X = TAIL LENGTH (NOTE 5)
 Y = NO. OF POSITIONS (NOTE 2)
 Z = PLATING (NOTE 4)
 BASE NUMBER

PRODUCT NUMBERING CODE FOR SELECT LOAD PART NUMBERS:
 50130 - XXYYY
 X = SEQUENCE NUMBER
 Y = ALWAYS 'XX'
 Z = BASE NUMBER

- ② THIS PRODUCT IS CONFIGURED IN SIZES OF 10 THRU 80 COLUMNS IN INCREMENTS OF TEN. i.e.: 10,20,30.....80.
- ③ MATERIAL:
 HOUSING: GLASS AND MINERAL FILLED HIGH TEMP. THERMOPLASTIC. FLAME RETARDANT PER UL94V-0. COLOR: BLACK.
 TERMINALS: PHOS-BRONZE
 RETAINER: GLASS FILLED - LCP
 SHIELD: ZINC DIE CASTING w/CuNi & TIN LEAD PLTG.
- ④ PLATING:
 1 = 30u"/.76um AU
 A = 30u"/.76um AU ON MATING END & 100u"/2.54um SnPb ON SOLDER TAIL.
- ⑤ TAIL LENGTH:
 H = .180/4.57
 J = .120/3.05
 S = .100/2.54
- ⑥ MANUFACTURE'S NAME, PART NUMBER, AND LOT CODE TO APPEAR ON THIS SURFACE PER BUS-12-108.
- 7. FOR DOCUMENTATION MENU SEE BUS-01-057.



RECOMMENDED PCB LAYOUT
 ALL HOLES LOCATED ON .100 [2.54] GRID UNLESS OTHERWISE SPECIFIED

mat'l. code				tolerances unless otherwise specified		CUSTOMER COPY		Electronics www.fciconnect.com	
ltr	ecn no	dr	date	linear	.XX±.01/.X±.3	projection	title		
H					.XXX±.005/.XX±.13		4 ROW EE R/A HEADER		
				angles	.XXX±.0020/.XXX±.051		SOLDER TO BOARD, 0 G.P.		
				dr	0° ± 2°	INCH/MM	product family	HPC	code
				engr	S. ROYER 1/15/92	scale	size	dwg no	213
				chr	S. CLARK 1/16/92	1:1	A	50130	sheet
				appd	S. CLARK 1/16/92				2 of
sheet index	revision sheet								
							cage code	22526	