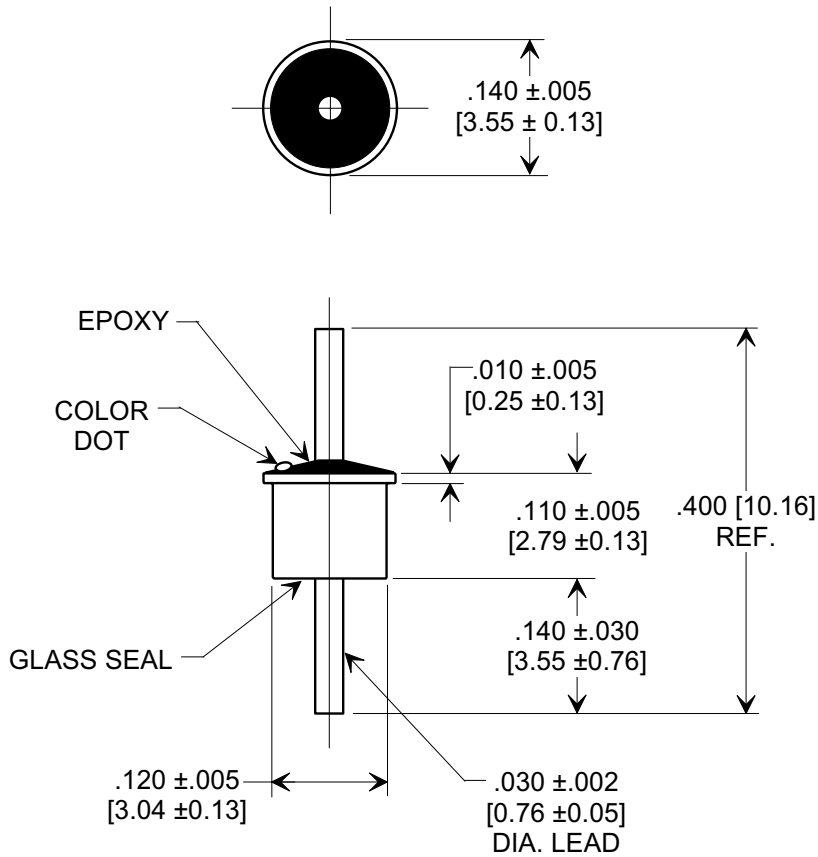
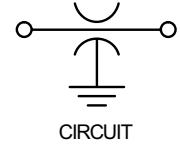


MARKETING SALES DRAWING
 DIMENSIONS IN INCHES - DO NOT SCALE THIS DRAWING
 DIMENSIONS IN METRIC - []

Electrical Testing
 per Tusonix standard
 test plans and Mil-Std-202
 Test Methods.



NOTES:

- Operating temperature range: -55°C to +125°C.
- Gold plated case and lead.
- Epoxy sealed on opposite end from glass seal.
- Max. recommended soldering temperature: 260°C.
See installation recommendations.
- Tusonix Standard part number: 4305-006.
Tusonix RoHS compliant part number: 4305-006 LF.
Customer must specify Standard or RoHS part number when ordering.
- RoHS compliant part marked with additional dark green dot for identification.

Cx (pF)	TOL.	DC WORKING VOLTAGE		DC CURRENT (AMPS)	I.R. MIN.	D.W.V.	MIN. NO LOAD INSERTION LOSS (dB) @ 25° C PER MIL-STD-220					COLOR CODE
		85°C	125°C				1 MHz	10 MHz	100 MHz	1GHz	10 GHz	
25	-0% +100%	300	200	5	10 G	500 VDC	---	---	---	10	25	BLUE

X-2015 Rev-0

REVISION RECORD	Original Release	0
	C.O. 20030110-5-12	1
	TOL. WAS GMV. S.M. 03-05-03	2
	ADDED NOTES 5 & 6. S.M. 06-01-05	2

--TOLERANCES--
Unless Otherwise Specified

DECIMAL ±

ANGLES ±

TUSONIX
TUCSON, ARIZONA

Title
SOLDER MOUNT EMI FILTER

Drawn S.M. 01-28-03 Scale 5 X

Approved T.C. 01-28-03

A **4305-006**