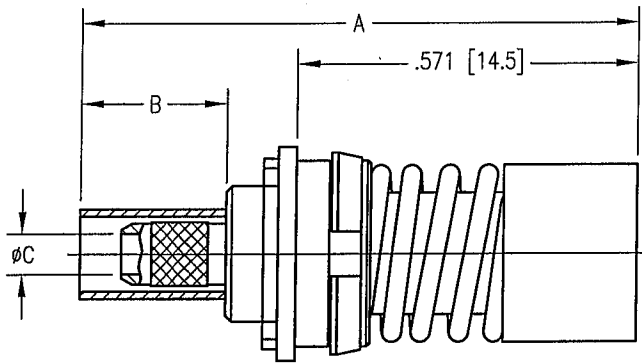


BMA: RECEPTACLES FOR FLEXIBLE CABLE

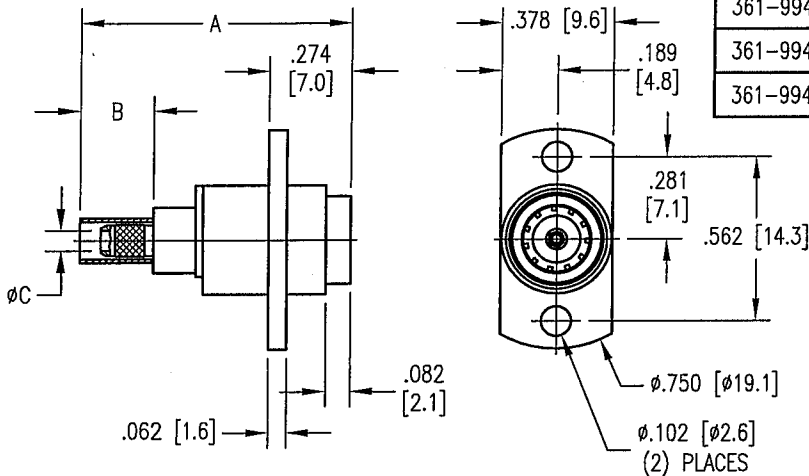
STRAIGHT SNAP-IN MOUNTING FLOAT RECEPTACLE



PART NUMBER	CABLE TYPE	"A" DIM	"B" DIM	"C" DIM
361-922-0630H	RG-316	.940 [23.9]	.250 [6.35]	.069 [1.75]
361-922-0631H	RG-316 D.S.	.940 [23.9]	.250 [6.35]	.069 [1.75]
361-922-1070H	RG-195	1.065 [27.1]	.375 [9.53]	.109 [2.77]
361-922-1160H	RG-58	1.065 [27.1]	.375 [9.53]	.122 [3.10]
361-922-1161H	RG-142	1.065 [27.1]	.375 [9.53]	.122 [3.10]

PART NUMBER SHOWN IS FOR GOLD PLATED BODY
FOR TRI-METAL FINISH CHANGE LAST LETTER TO "R"
FOR CABLING PROCEDURES SEE CAP 9-11
FOR RECOMMENDED MOUNTING HOLE SEE APPENDIX A, NO. 022

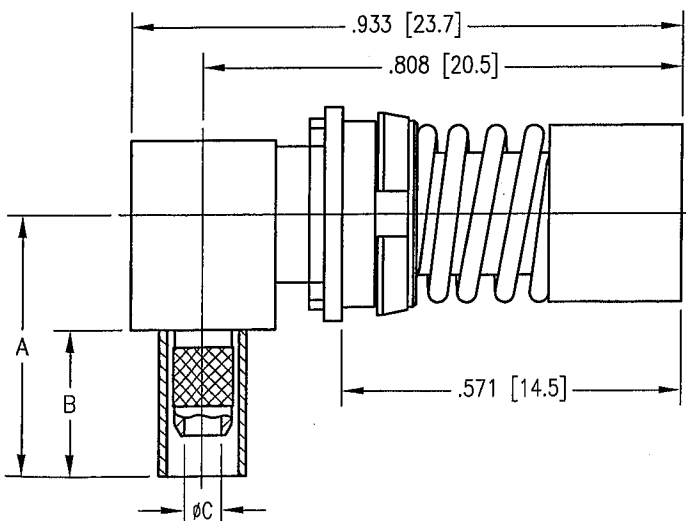
STRAIGHT 2-HOLE FLANGE MOUNT FLOAT RECEPTACLE



PART NUMBER	CABLE TYPE	"A" DIM	"B" DIM	"C" DIM
361-994-0630H	RG-316	.922 [23.4]	.250 [6.35]	.069 [1.75]
361-994-0631H	RG-316 D.S.	.922 [23.4]	.250 [6.35]	.069 [1.75]
361-994-1070H	RG-195	1.047 [26.6]	.375 [9.53]	.109 [2.77]
361-994-1160H	RG-58	1.047 [26.6]	.375 [9.53]	.122 [3.10]
361-994-1161H	RG-142	1.047 [26.6]	.375 [9.53]	.122 [3.10]

PART NUMBER SHOWN IS FOR GOLD PLATED BODY
FOR TRI-METAL FINISH CHANGE LAST LETTER TO "R"
FOR CABLING PROCEDURES SEE CAP 9-11
FOR RECOMMENDED MOUNTING HOLE SEE APPENDIX A, NO. 094

RIGHT ANGLE SNAP-IN MOUNTING FLOAT RECEPTACLE



PART NUMBER	CABLE TYPE	"A" DIM	"B" DIM	"C" DIM
363-922-0630H	RG-316	.445 [11.3]	.250 [6.35]	.069 [1.75]
363-922-0631H	RG-316 D.S.	.445 [11.3]	.250 [6.35]	.069 [1.75]
363-922-1070H	RG-195	.570 [14.5]	.375 [9.53]	.109 [2.77]
363-922-1160H	RG-58	.570 [14.5]	.375 [9.53]	.122 [3.10]
363-922-1161H	RG-142	.570 [14.5]	.375 [9.53]	.122 [3.10]

PART NUMBER SHOWN IS FOR GOLD PLATED BODY
FOR TRI-METAL FINISH CHANGE LAST LETTER TO "R"
FOR CABLING PROCEDURES SEE CAP 9-12
FOR RECOMMENDED MOUNTING HOLE SEE APPENDIX A, NO. 022