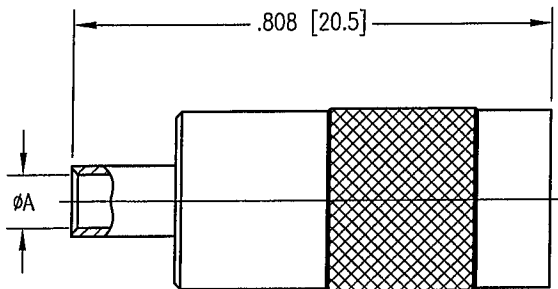


# BMA: RECEPTACLES FOR SEMI-RIGID CABLE

## STRAIGHT RECEPTACLE

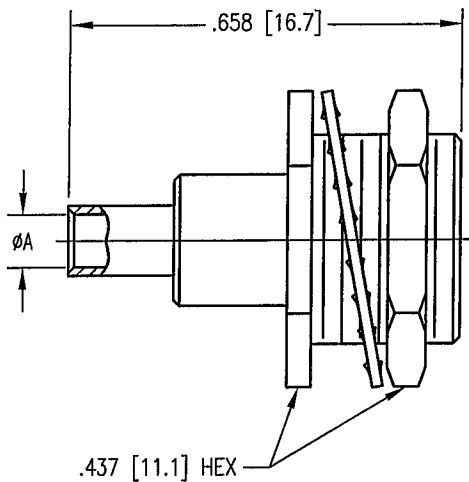
PART NUMBER	CABLE TYPE	"A" DIM
361-500-0850H	RG-405 ( $\phi.085$ )	.090 [2.3]
361-500-1410H	RG-402 ( $\phi.141$ )	.145 [3.7]



PART NUMBER SHOWN IS FOR GOLD PLATED BODY  
FOR TRI-METAL FINISH CHANGE LAST LETTER TO "R"  
FOR CABLING PROCEDURES SEE CAP 5-24

## STRAIGHT BULKHEAD JACK (REAR MT.)

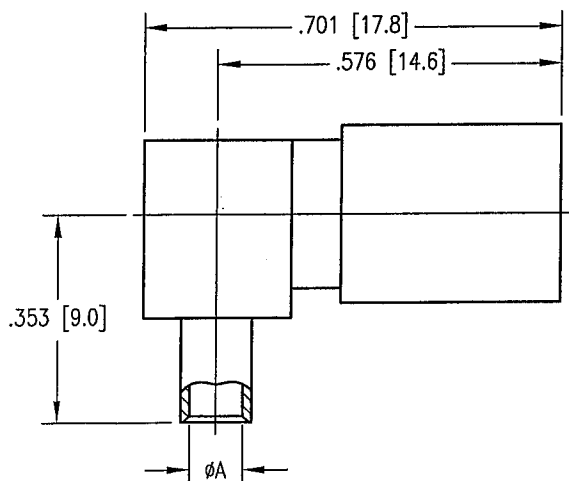
PART NUMBER	CABLE TYPE	"A" DIM
361-595-0850H	RG-405 ( $\phi.085$ )	.090 [2.3]
361-595-1410H	RG-402 ( $\phi.141$ )	.145 [3.7]



PART NUMBER SHOWN IS FOR GOLD PLATED BODY  
FOR TRI-METAL FINISH CHANGE LAST LETTER TO "R"  
FOR CABLING PROCEDURES SEE CAP 5-24  
FOR RECOMMENDED MOUNTING HOLE SEE APPENDIX A, NO. 095

## RIGHT ANGLE RECEPTACLE

PART NUMBER	CABLE TYPE	"A" DIM
363-500-0850H	RG-405 ( $\phi.085$ )	.090 [2.3]
363-500-1410H	RG-402 ( $\phi.141$ )	.145 [3.7]



PART NUMBER SHOWN IS FOR GOLD PLATED BODY  
FOR TRI-METAL FINISH CHANGE LAST LETTER TO "R"  
FOR CABLING PROCEDURES SEE CAP 5-25