

SPECIFICATIONS

Mechanical

Contact Retention Force: 0.50Kg min.

Electrical

Voltage Rating: 750V

Current Rating: 1A

Contact Resistance: 55mΩ max.

Dielectrical Withstanding Voltage: 1000V

Insulation Resistance: 1000MΩ min.

Physical

Housing: LCP, UL 94-0 rated, Ivory White

Contact: Phosphor Bronze

Plating: See "ORDERING INFORMATION"

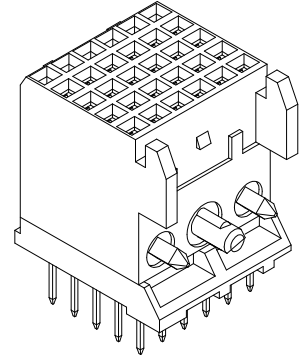
FUTURE BUS CONNECTOR

1F Series

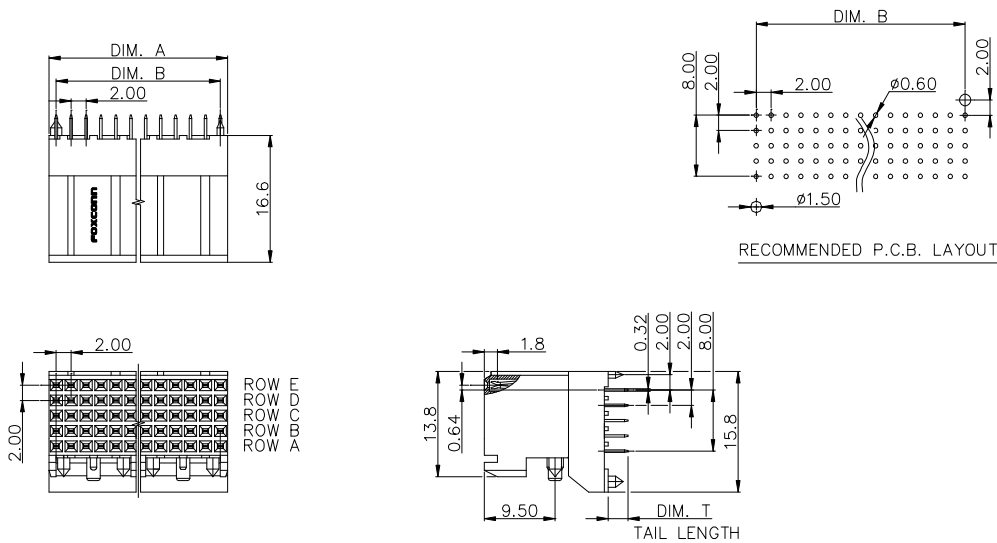
Rec. Solder Type

2.0mm Pitch

5 Rows



DRAWING



ORDERING INFORMATION

PRODUCT NO.: 1 F 2 2 * * * * - S * 0 2 0 * - * *

NO. OF POS. ————

Mating Area Plating ————

1:GOLD FLASH
 3:0.76um(30u")MIN. GOLD PLATING
 5:1.27um(50u")MIN. GOLD PLATING
 6:0.25um(10u")MIN. GOLD PLATING
 A:0.76um(30u")MIN. FPT PLATING,
 0.25um(10u")MIN. GOLD INCLUDED

TAIL STYLE ————

S:SOLDER TYPE

TAIL LENGTH(DIM.T) ————

2: 2.65 mm
 3: 3.45 mm
 4: 4.25 mm

Lead Free Code
 N=None
 F=Lead Free

Package Type
 A=Tube
 N,T,L,M

Extension Code
 N,T,L,M

BODY STYLE
 20:STANDARD PART

1F22030*-S**20*-**	30	11.90	10.00
1F22060*-S**20*-**	60	23.90	22.00
1F22090*-S**20*-**	90	35.90	34.00
1F22120*-S**20*-**	120	47.90	46.00
1F22150*-S**20*-**	150	59.90	58.00
1F22210*-S**20*-**	210	83.90	82.00
1F22240*-S**20*-**	240	95.90	94.00
P/N	POS	DIM. A	DIM. B