

PLEASE CHECK WWW.MOLEX.COM FOR LATEST PART INFORMATION

Part Number: [0782292333](#)

Status: **Active**

Overview:

Description: GbX I-Trac™ Right Angle Header with Right Hold Down, Power Module, 2 Blades, 40 Amps, 3 Ganged Modules, Lead Free

Documents:

[3D Model](#)

[Drawing \(PDF\)](#)

[Application Specification \(PDF\)](#)

[Product Specification PS-78231-006 \(PDF\)](#)

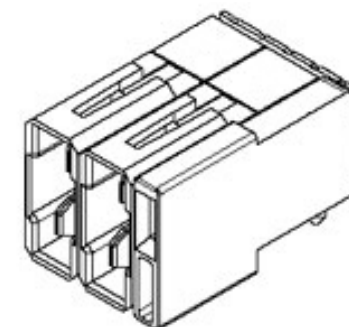
[RoHS Certificate of Compliance \(PDF\)](#)

General

Product Family	Backplane Connectors
Series	78229
Application	Daughtercard
Application Tooling Documents	Tooling Manual
Component Type	Power Header
More Detailed Tech Information	I-Trac@molex.com
Overview	GbX I-Trac™#153; Backplane Connector System
Product Name	GbX I-Trac™
Style	N/A

Physical

Circuits (Loaded)	6
Circuits (maximum)	6
Circuits Detail	40 Amps (20/Split Blade). Power Module 1 Blade Length P1, 6.77mm; P2, 9.77mm. Power Module 3 Blade Length P1, 6.77mm; P2, 9.77mm
Color - Resin	Black
Durability (mating cycles max)	100
First Mate / Last Break	Yes
Flammability	94V-0
Guide to Mating Part	No
Keying to Mating Part	None
Material - Metal	High Performance Alloy (HPA)
Material - Plating Mating	Gold
Material - Plating Termination	Tin
Material - Resin	High Temperature Thermoplastic
Number of Columns	1
Number of Pairs	4
Number of Rows	2
Orientation	Right Angle
PC Tail Length (in)	0.095 In
PC Tail Length (mm)	2.41 mm
PCB Locator	Yes
PCB Retention	Yes
PCB Thickness Recommended (in)	0.063 In
PCB Thickness Recommended (mm)	1.60 mm
Packaging Type	Tray
Pitch - Mating Interface (in)	0.079 In
Pitch - Mating Interface (in)	0.291 In
Pitch - Mating Interface (mm)	2.00 mm
Pitch - Mating Interface (mm)	7.40 mm
Pitch - Term. Interface (in)	0.079 In
Pitch - Term. Interface (in)	0.291 In
Pitch - Term. Interface (mm)	2.00 mm



Series image - Reference only

EU RoHS

ELV and RoHS Compliant

REACH SVHC

Not Reviewed

Halogen-Free

Status

Not Reviewed

Need more information on product environmental compliance?

Email productcompliance@molex.com
Please visit the [Contact Us](#) section for any non-product compliance questions.

China RoHS



Search Parts in this Series

[78229 Series](#)

Mates With

[78227](#) GbX I-Trac™ Vertical Receptacle, Power Module. [78230](#) GbX I-Trac™ Power Receptacle

Use With

[76020](#) GbX I-Trac™ Right Angle, 7 Row Receptacle Module

Application Tooling | FAQ

Tooling specifications and manuals are found by selecting the products below. Crimp Height Specifications are then contained in the Application Tooling Specification document.

Global

Description	Product #
Press-in Tool, GbX I-	0622018627
Trac™ Right Angle Power Receptacle and Header for 7 Row	

Pitch - Term. Interface (mm)	7.40 mm
Polarized to PCB	Yes
Stackable	No
Surface Mount Compatible (SMC)	Yes
Temperature Range - Operating	-20°C to +85°C
Termination Interface: Style	Through Hole - Compliant Pin

Electrical

CSA	LR 19980
Current - Maximum	40A
Data Rate	12.0 Gbps
Shield Type	N/A
Shielded	No
UL	E29179
Voltage - Maximum	250V DC

Material Info**Reference - Drawing Numbers**

Product Specification	PS-78231-006
Sales Drawing	SD-78229-001

This document was generated on 12/01/2009

PLEASE CHECK WWW.MOLEX.COM FOR LATEST PART INFORMATION