

REPLACES XI13024-YA

CATALOG LISTING  
**YA-2RB19-A64**  
PAGE 1 OF 1  
ISSUE **M**  
3

RELEASE NO. 200838

CHECK

REVISIONS  
A 0000683  
CSL  
2 JUL 03  
B 0018388  
TGP  
17 FEB 06

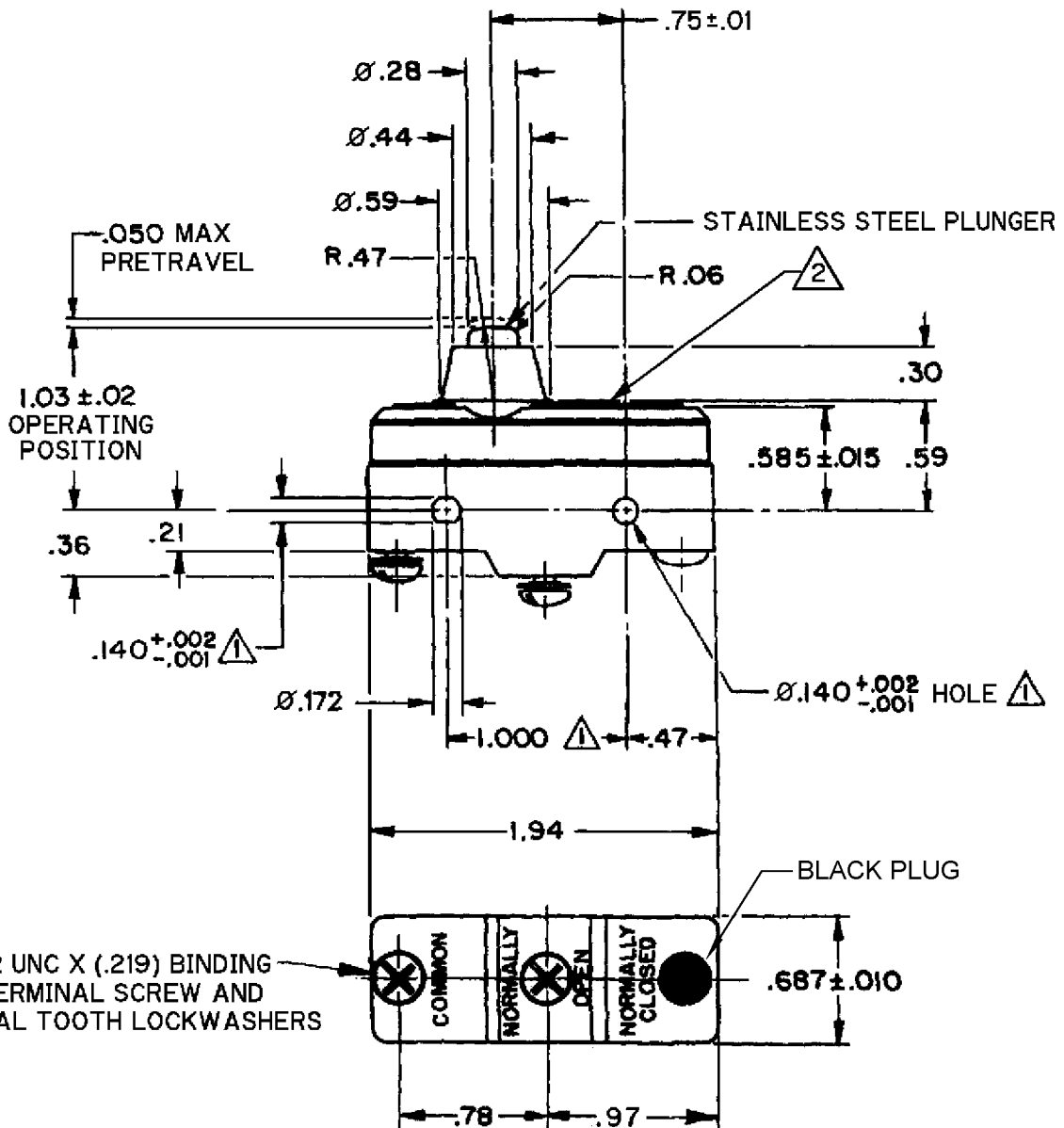
CHECK

18 JUL 00

SAV

CHECK

DLT 18 JUL 00  
DRAWN  
RASTER



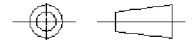
2X 6-32 UNC X (.219) BINDING HEAD TERMINAL SCREW AND INTERNAL TOOTH LOCKWASHERS

NOTE  
 1 MOUNTING HOLES WILL ACCEPT PINS OR SCREWS OF Ø.139 MAX ON 1.000±.002 CENTERS  
 2 COVER BONDED TO SWITCH CASE

ANSI Y14.5M-1982 APPLIES

THIS DRAWING COVERS A PROPRIETARY ITEM AND IS THE PROPERTY OF MICRO SWITCH, A DIVISION OF HONEYWELL. THIS DRAWING IS NOT TO BE COPIED OR USED WITHOUT THE APPROVAL OF MICRO SWITCH.

THIRD ANGLE PROJECTION



CHARACTERISTICS	ELECTRICAL DATA	SCALE FULL	DO NOT SCALE PRINT
OPERATING FORCE----- 14-22 OZ	CONTACT ARRANGEMENT SPNO	UNLESS OTHERWISE SPECIFIED TOLERANCES ARE	ONE PLACE (.0) ±.030
RELEASE FORCE ----- 10 OZ MIN	L23 20A 125, 250 OR 480 VAC 10A 125 VAC "L" 1HP 125 VAC, 2HP 250 VAC 1/2A 125 VDC, 1/4A 250 VDC		TWO PLACE (.00) ±.015
DIFFERENTIAL TRAVEL----- .002-.0075	L288 L308 L315	THREE PLACE (.000) ±.005	ANGLES ±
OVERTRAVEL ----- .094 MIN	20(3)A 250V T85 5E4	WEIGHT .064 LB	