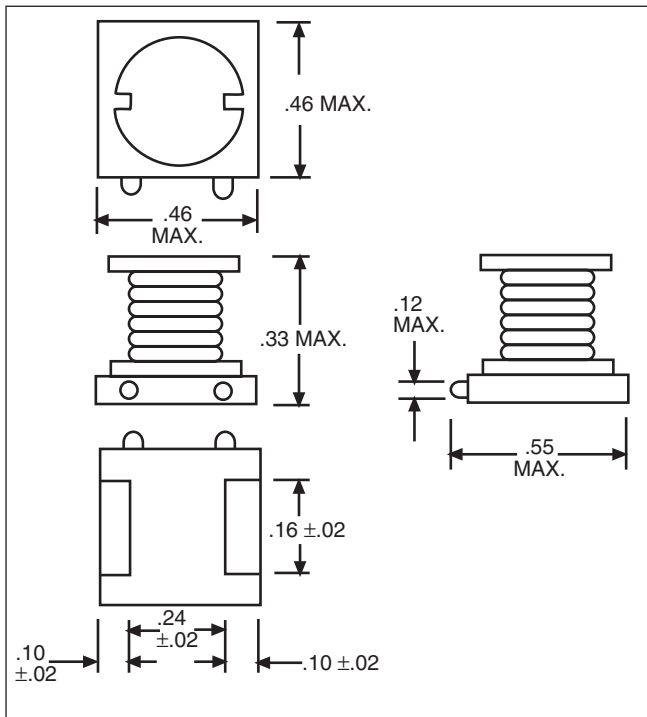




RL-6050 SURFACE MOUNT POWER INDUCTORS



The RL-6050 Series are high current, surface mount inductors offering 26 standard values ranging from 10 μ H to 1200 μ H. Specifically designed for high density surface mount applications including switching regulators, power amplifiers, power supplies and noise/EMI/RFI filtering. These components utilize extremely rugged mounting pads with outstanding solderability and solder heat resistance.



ORDERING INFORMATION:

RL-6050-XXX-X

"T" or "B" for Tape or Bulk packaging.

Order quantity: 400 pieces for 13" tape & reel.

Any quantity for bulk packaging.

Inductance Value

SPECIFICATIONS:

Operating temperature: -25°C to +85°C



RENCO ELECTRONICS, INC.

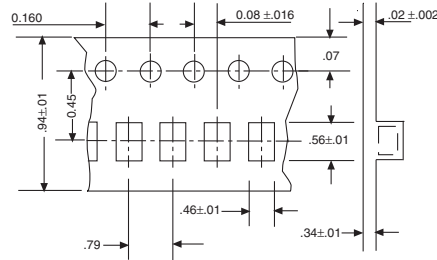
595 International Place, Rockledge, FL 32955-4200 USA

(321) 637-1000 • Toll Free Engineering Hot line 800-645-5828

SINCE 1955 Fax: (321) 637-1600 Web Site: www.rencousa.com E-mail: sales@rencousa.com

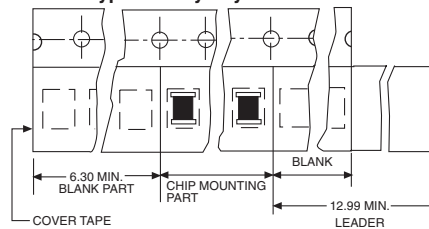
RL-6050 Renco Part No.	NOMINAL INDUCTANCE (μ H) $\pm 20\%$	MEASURING FREQUENCY (KHZ)	MAX. DC RESISTANCE (OHMS)	MAX. RATED CURRENT (AMPS) DC OR AC RMS	SATURATION CURRENT (DC AMPS) FOR 5% DROP IN IND.
RL-6050-10	10	1	0.06	3.50	6.00
RL-6050-12	12	1	0.07	3.40	5.60
RL-6050-15	15	1	0.08	3.10	4.90
RL-6050-18	18	1	0.09	3.00	4.30
RL-6050-22	22	1	0.10	2.60	4.10
RL-6050-27	27	1	0.11	2.40	3.60
RL-6050-33	33	1	0.12	2.30	3.30
RL-6050-39	39	1	0.14	2.10	3.00
RL-6050-47	47	1	0.17	1.95	2.80
RL-6050-56	56	1	0.19	1.85	2.50
RL-6050-68	68	1	0.22	1.65	2.30
RL-6050-82	82	1	0.25	1.50	2.00
RL-6050-100	100	1	0.35	1.40	1.80
RL-6050-120	120	1	0.40	1.30	1.70
RL-6050-150	150	1	0.47	1.20	1.50
RL-6050-180	180	1	0.63	1.00	1.40
RL-6050-220	220	1	0.73	0.95	1.30
RL-6050-270	270	1	0.97	0.90	1.20
RL-6050-330	330	1	1.15	0.80	1.00
RL-6050-390	390	1	1.30	0.75	.96
RL-6050-470	470	1	1.48	0.65	.87
RL-6050-560	560	1	1.90	0.60	.80
RL-6050-680	680	1	2.45	0.50	.73
RL-6050-820	820	1	2.55	0.48	.66
RL-6050-1000	1000	1	3.00	0.46	.60
RL-6050-1200	1200	1	3.50	0.35	.54

TAPE DIMENSIONS

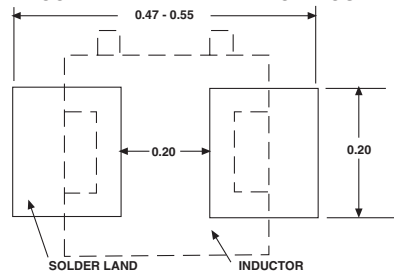


TAPE CONFIGURATION

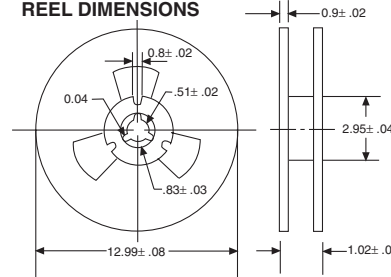
Carrier tape: Polystyrene
Cover type: Polyethylene



RECOMMENDED PATTERN FOR MOUNTING



REEL DIMENSIONS



DIMENSIONS IN INCHES



RENCO ELECTRONICS, INC.

595 International Place, Rockledge, FL 32955-4200 USA

(321) 637-1000 • Toll Free Engineering Hot line 800-645-5828

Fax: (321) 637-1600 Web Site: www.rencousa.com E-mail: sales@rencousa.com