

January 1998

Features

- 20A and 17A, 500V
- $r_{DS(ON)} = 0.27\Omega$ and 0.35Ω
- Single Pulse Avalanche Energy Rated
- SOA is Power Dissipation Limited
- Nanosecond Switching Speeds
- Linear Transfer Characteristics
- High Input Impedance
- Related Literature
 - TB334 "Guidelines for Soldering Surface Mount Components to PC Boards"

Ordering Information

PART NUMBER	PACKAGE	BRAND
IRFP460	TO-247	IRFP460
IRFP462	TO-247	IRFP462

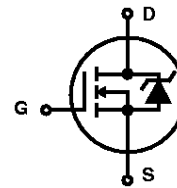
NOTE: When ordering, use the entire part number.

Description

These are N-Channel enhancement mode silicon gate power field effect transistors. They are advanced power MOSFETs designed, tested, and guaranteed to withstand a specified level of energy in the breakdown avalanche mode of operation. All of these power MOSFETs are designed for applications such as switching regulators, switching converters, motor drivers, relay drivers, and drivers for high power bipolar switching transistors requiring high speed and low gate drive power. These types can be operated directly from integrated circuits.

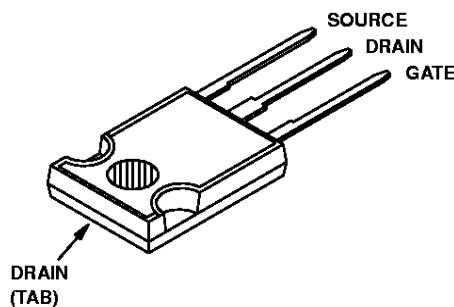
Formerly developmental type TA17465.

Symbol



Packaging

JEDEC STYLE TO-247



IRFP460, IRFP462

Absolute Maximum Ratings $T_C = 25^\circ\text{C}$, Unless Otherwise Specified

	IRFP460	IRFP462	UNITS
Drain to Source Voltage (Note 1)	500	500	V
Drain to Gate Voltage ($R_{GS} = 20k\Omega$) (Note 1)	500	500	V
Continuous Drain Current	20	17	A
$T_C = 100^\circ\text{C}$	12	11	A
Pulsed Drain Current (Note 3)	80	68	A
Gate to Source Voltage	± 20	± 20	V
Maximum Power Dissipation	250	250	W
Linear Derating Factor	2.0	2.0	W/ $^\circ\text{C}$
Single Pulse Avalanche Energy Rating (Note 4)	960	960	mJ
Operating and Storage Temperature	-55 to 150	-55 to 150	$^\circ\text{C}$
Maximum Temperature for Soldering			
Leads at 0.063in (1.6mm) from Case for 10s	300	300	$^\circ\text{C}$
Package Body for 10s, See Techbrief 334	260	260	$^\circ\text{C}$

CAUTION: Stresses above those listed in "Absolute Maximum Ratings" may cause permanent damage to the device. This is a stress only rating and operation of the device at these or any other conditions above those indicated in the operational sections of this specification is not implied.

NOTE:

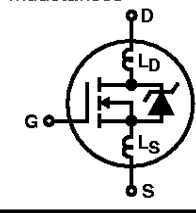
1. $T_J = 25^\circ\text{C}$ to $T_J = 125^\circ\text{C}$.

Electrical Specifications $T_C = 25^\circ\text{C}$, Unless Otherwise Specified

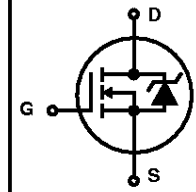
PARAMETER	SYMBOL	TEST CONDITIONS	MIN	TYP	MAX	UNITS
Drain to Source Breakdown Voltage IRFP460	BV _{DSS}	I _D = 250 μ A, V _{GS} = 0V, (Figure 10)	500	-	-	V
			IRFP462	500	-	-
Gate Threshold Voltage	V _{GS(TH)}	V _{GS} = V _{DS} , I _D = 250 μ A	2	-	4	V
Zero Gate Voltage Drain Current	I _{DSS}	V _{DS} = Rated BV _{DSS} , V _{GS} = 0V	-	-	25	μ A
		V _{DS} = 0.8 x Rated BV _{DSS} , V _{GS} = 0V T _J = 125 $^\circ$	-	-	250	μ A
On-State Drain Current (Note 2) IRFP460	I _{D(ON)}	V _{DS} > I _{D(ON)} x r _{DS(ON)} MAX, V _{GS} = 10V	20	-	-	A
			IRFP462	17	-	-
Gate to Source Leakage Current	I _{GSS}	V _{GS} = ± 20 V	-	-	± 100	nA
Drain to Source On Resistance (Note 2) IRFP460	r _{DS(ON)}	I _D = 11A, V _{GS} = 10V, (Figures 8, 9)	-	0.24	0.27	Ω
			IRFP462	-	0.27	0.35
Forward Transconductance (Note 2)	g _{fs}	V _{DS} \geq 50V, I _{DS} > 11A, (Figure 12)	13	19	-	S
Turn-On Delay Time	t _{d(ON)}	V _{DD} = 250V, I _D = 21A, R _{GS} = 4.3 Ω , R _D = 12 Ω , V _{GS} = 10V, (Figures 17, 18) MOSFET Switching Times are Essentially Independent of Operating Temperature	-	23	35	ns
Rise Time	t _r		-	81	120	ns
Turn-Off Delay Time	t _{d(OFF)}		-	85	130	ns
Fall Time	t _f		-	65	98	ns
Total Gate Charge (Gate to Source + Gate-Drain)	Q _{g(TOT)}	V _{GS} = 10V, I _D = 21A, V _{DS} = 0.8 x Rated BV _{DSS} , I _{G(REF)} = 1.5mA, (Figures 14, 19, 20) Gate Charge is Essentially Independent of Operating Temperature	-	120	190	nC
Gate to Source Charge	Q _{gs}		-	18	-	nC
Gate to Drain "Miller" Charge	Q _{gd}		-	62	-	nC

IRFP460, IRFP462

Electrical Specifications $T_C = 25^\circ\text{C}$, Unless Otherwise Specified (Continued)

PARAMETER	SYMBOL	TEST CONDITIONS		MIN	TYP	MAX	UNITS
Input Capacitance	C_{ISS}	$V_{DS} = 25\text{V}$, $V_{GS} = 0\text{V}$, $f = 1\text{MHz}$, (Figure 10)		-	4100	-	pF
Output Capacitance	C_{OSS}			-	480	-	pF
Reverse Transfer Capacitance	C_{RSS}			-	84	-	pF
Internal Drain Inductance	L_D	Measured from the Drain Lead, 6mm (0.25in) from Package to Center of Die	Modified MOSFET Symbol Showing the Internal Device Inductances 	-	5.0	-	nH
Internal Source Inductance	L_S	Measured from the Source Lead, 6mm (0.25in) from Header to Source Bonding Pad		-	13	-	nH
Thermal Resistance Junction to Case	$R_{\theta JC}$			-	-	0.50	$^\circ\text{C/W}$
Thermal Resistance Junction to Ambient	$R_{\theta JA}$	Free Air Operation		-	-	30	$^\circ\text{C/W}$

Source to Drain Diode Specifications

PARAMETER	SYMBOL	TEST CONDITIONS		MIN	TYP	MAX	UNITS
Continuous Source to Drain Current	I_{SD}	Modified MOSFET Symbol Showing the Integral Reverse P-N Junction Rectifier 	-	-	20	A	
Pulse Source to Drain Current (Note 3)	I_{SDM}		-	-	80	A	
Source to Drain Diode Voltage (Note 2)	V_{SD}	$T_J = 25^\circ\text{C}$, $I_{SD} = 21\text{A}$, $V_{GS} = 0\text{V}$, (Figure 13)		-	-	1.8	V
Reverse Recovery Time	t_{rr}	$T_J = 25^\circ\text{C}$, $I_{SD} = 21\text{A}$, $dI_{SD}/dt = 100\text{A}/\mu\text{s}$		280	580	1200	ns
Reverse Recovery Charge	Q_{RR}	$T_J = 25^\circ\text{C}$, $I_{SD} = 21\text{A}$, $dI_{SD}/dt = 100\text{A}/\mu\text{s}$		3.8	8.1	18	μC

NOTES:

2. Pulse test: pulse width $\leq 300\mu\text{s}$, duty cycle $\leq 2\%$.
3. Repetitive rating: pulse width limited by maximum junction temperature. See Transient Thermal Impedance curve (Figure 3).
4. $V_{DD} = 50\text{V}$, starting $T_J = 25^\circ\text{C}$, $L = 4.3\text{mH}$, $R_{GS} = 25\Omega$, Peak $I_{AS} = 20\text{A}$ (Figures 15, 16).

IRFP460, IRFP462

Typical Performance Curves Unless Otherwise Specified

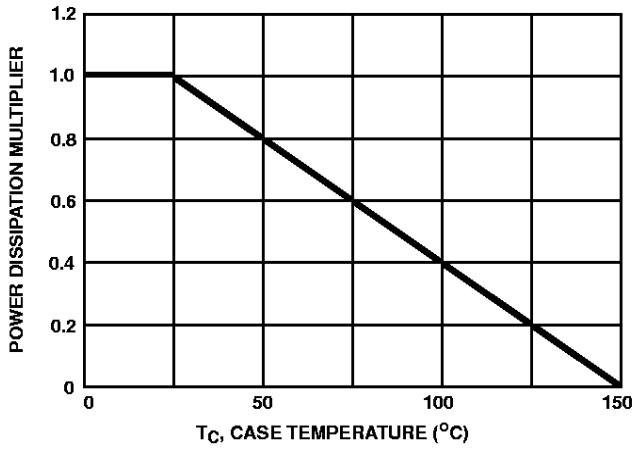


FIGURE 1. NORMALIZED POWER DISSIPATION vs CASE TEMPERATURE

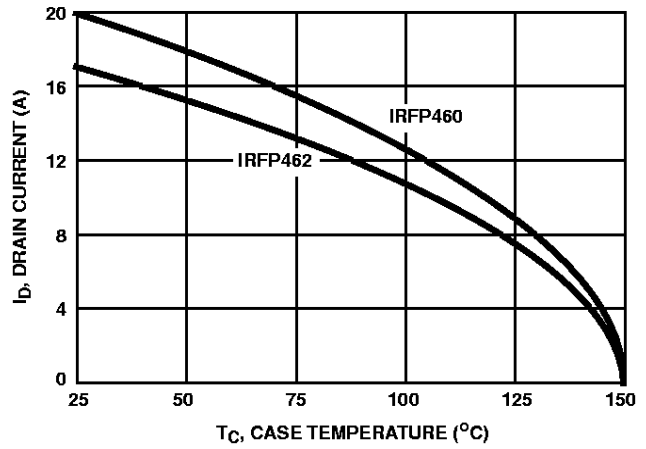


FIGURE 2. MAXIMUM CONTINUOUS DRAIN CURRENT vs CASE TEMPERATURE

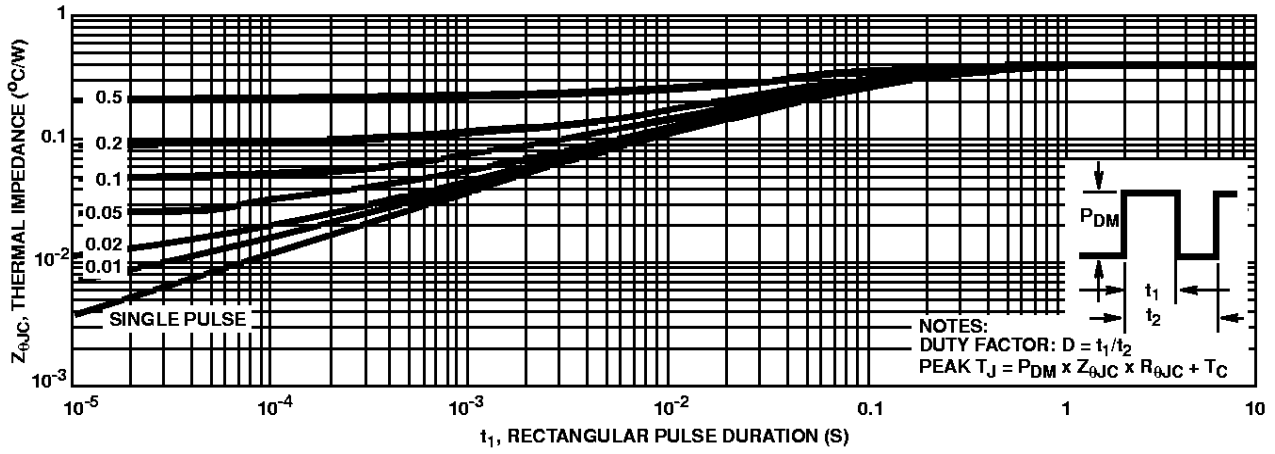


FIGURE 3. MAXIMUM TRANSIENT THERMAL IMPEDANCE

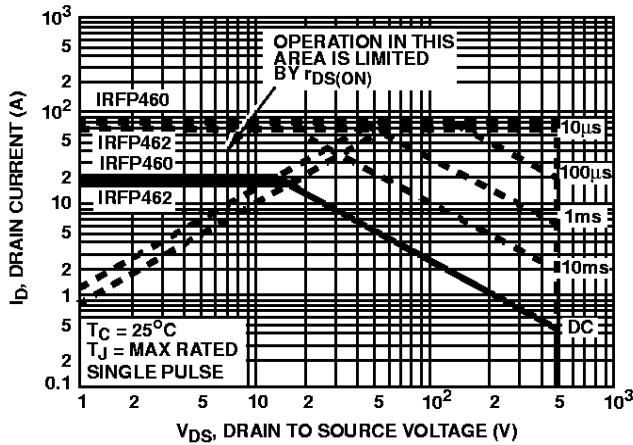


FIGURE 4. FORWARD BIAS SAFE OPERATING AREA

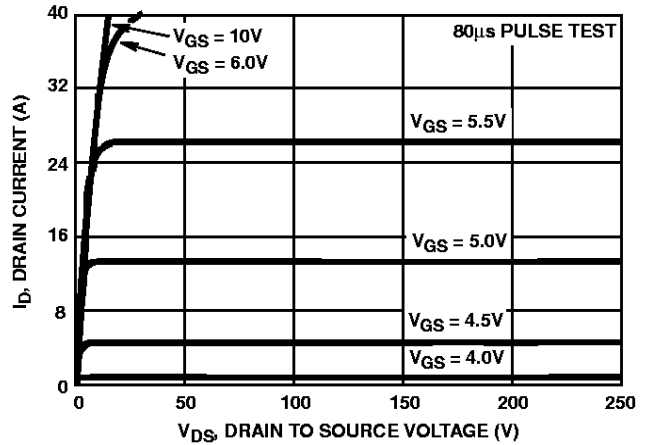


FIGURE 5. OUTPUT CHARACTERISTICS

Typical Performance Curves Unless Otherwise Specified (Continued)

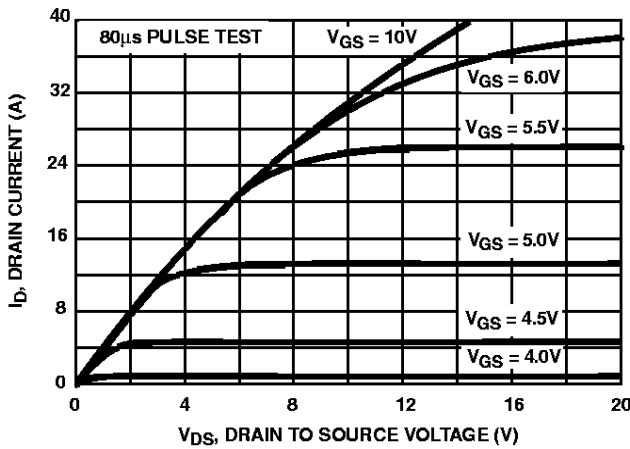


FIGURE 6. SATURATION CHARACTERISTICS

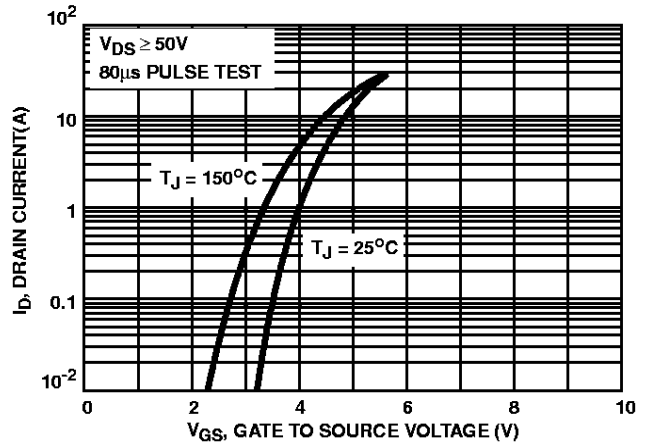


FIGURE 7. TRANSFER CHARACTERISTICS

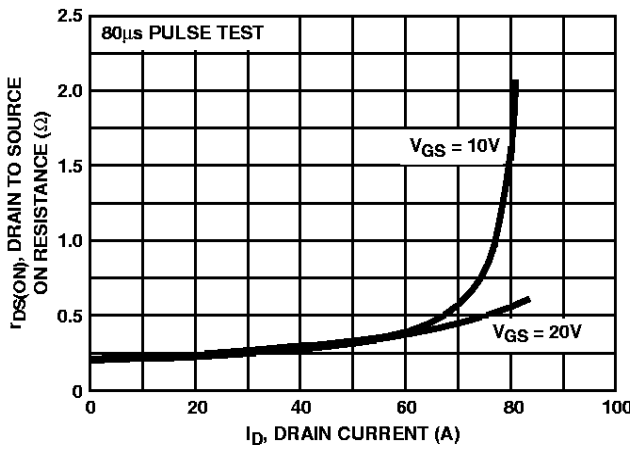


FIGURE 8. DRAIN TO SOURCE ON RESISTANCE vs GATE VOLTAGE AND DRAIN CURRENT

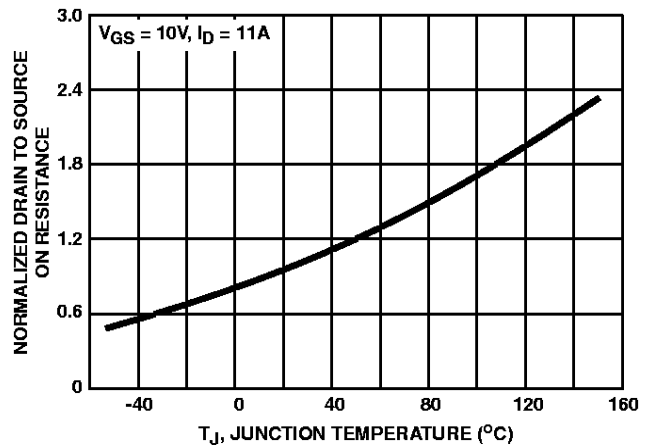


FIGURE 9. NORMALIZED DRAIN TO SOURCE ON RESISTANCE vs JUNCTION TEMPERATURE

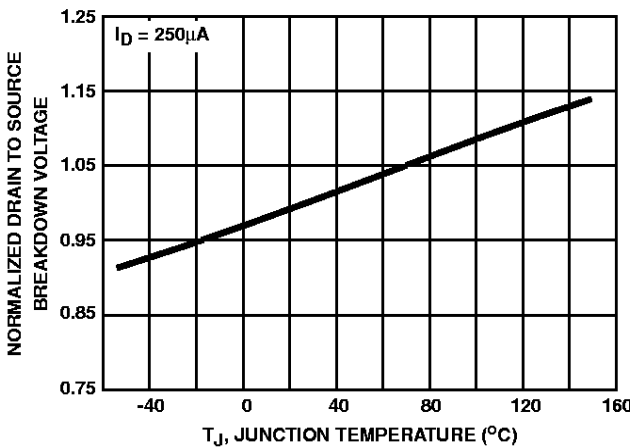


FIGURE 10. NORMALIZED DRAIN TO SOURCE BREAKDOWN VOLTAGE vs JUNCTION TEMPERATURE

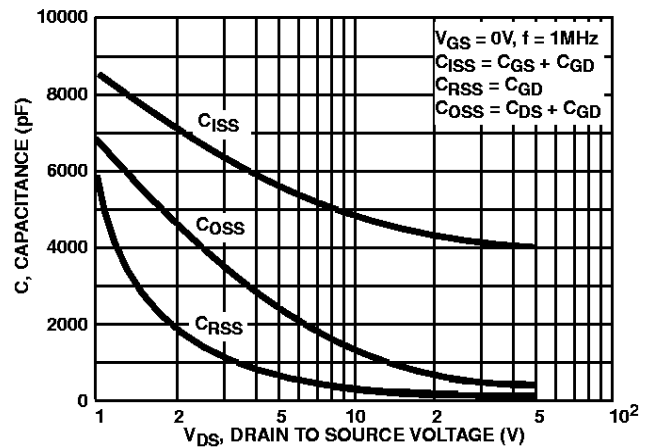


FIGURE 11. CAPACITANCE vs DRAIN TO SOURCE VOLTAGE

Typical Performance Curves Unless Otherwise Specified (Continued)

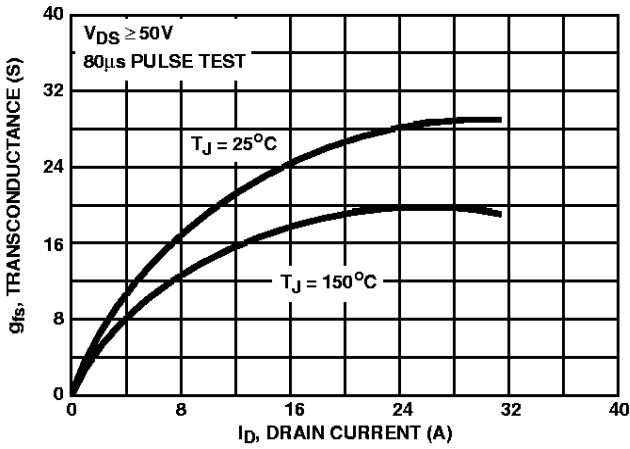


FIGURE 12. TRANSCONDUCTANCE vs DRAIN CURRENT

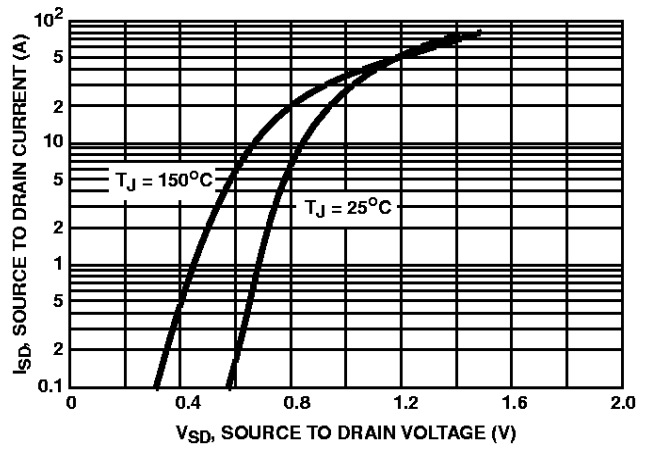


FIGURE 13. SOURCE TO DRAIN DIODE VOLTAGE

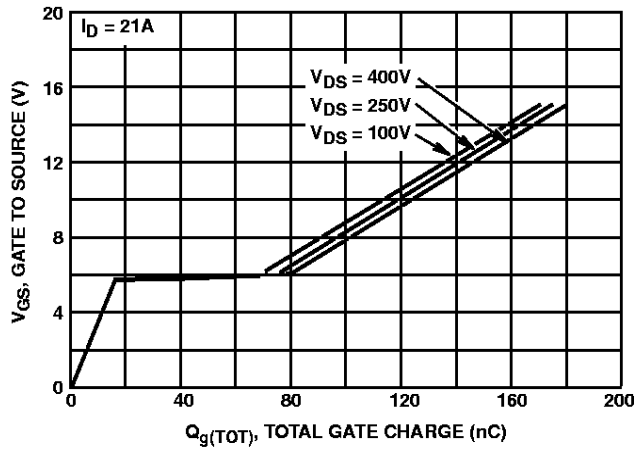


FIGURE 14. GATE TO SOURCE VOLTAGE vs GATE CHARGE

Test Circuits and Waveforms

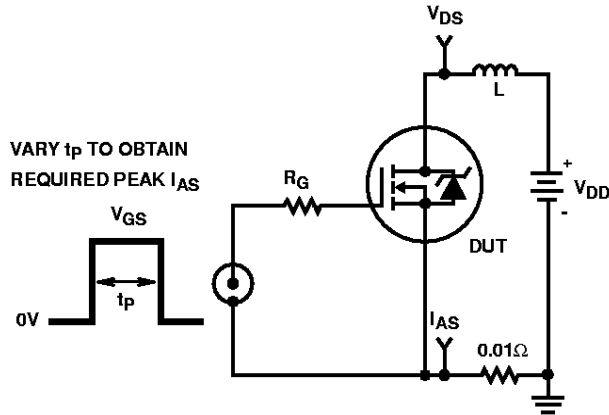


FIGURE 15. UNCLAMPED ENERGY TEST CIRCUIT

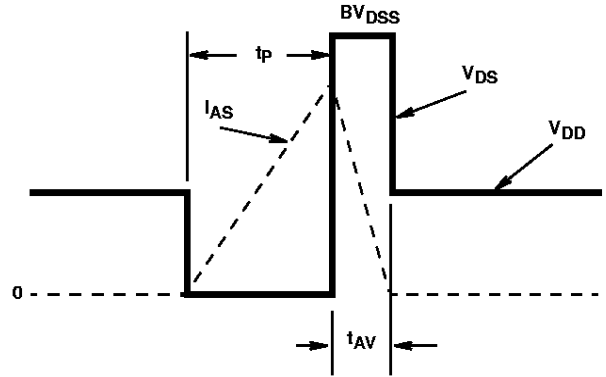


FIGURE 16. UNCLAMPED ENERGY WAVEFORMS

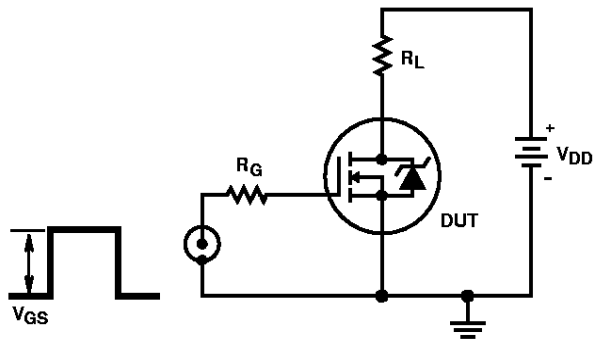


FIGURE 17. SWITCHING TIME TEST CIRCUIT

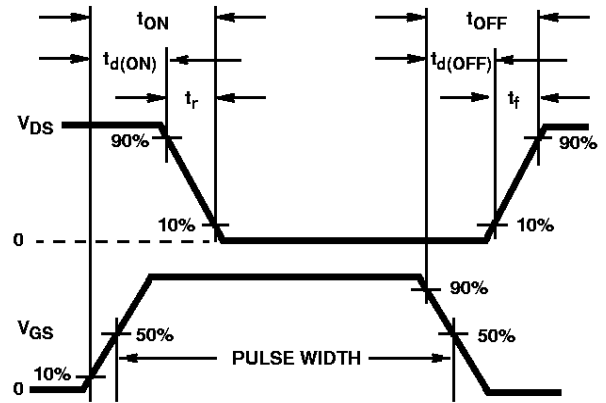


FIGURE 18. RESISTIVE SWITCHING WAVEFORMS

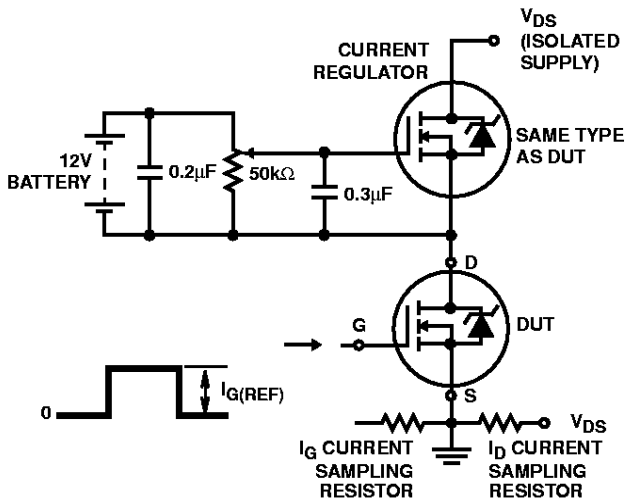


FIGURE 19. GATE CHARGE TEST CIRCUIT

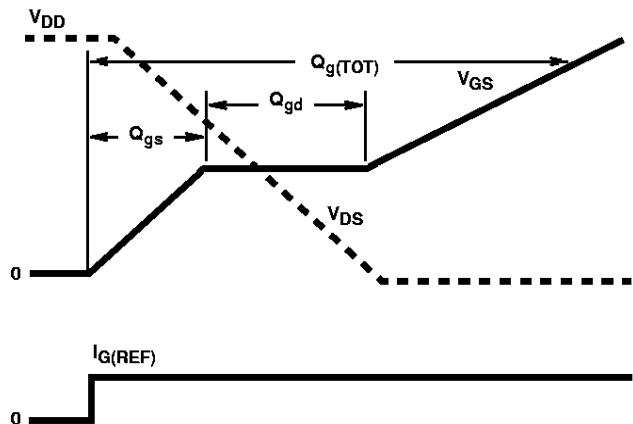


FIGURE 20. GATE CHARGE WAVEFORMS