

Metalized Polypropylene Film Capacitors

Type: **ECWF(A)**

Designed for high frequency and current applications.

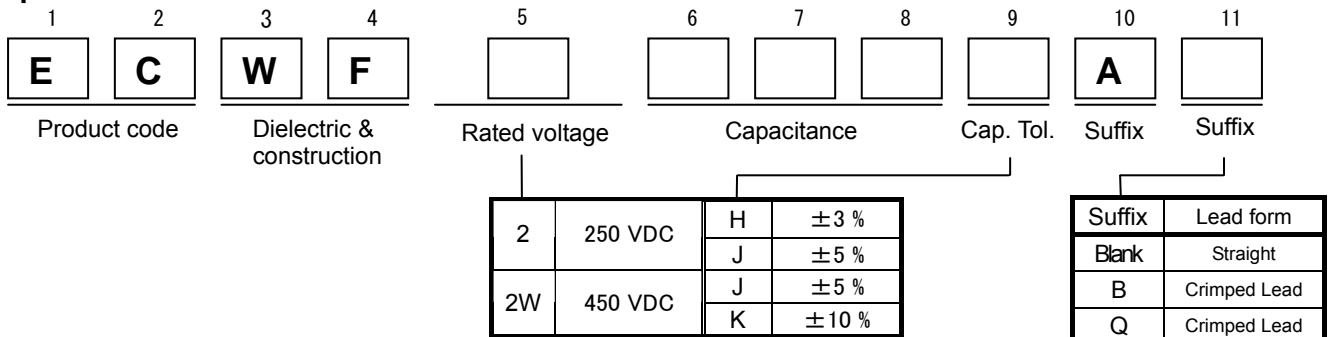
■ Features

- Small size
- Excellent frequency characteristics
- Low loss
- Low Hum Sound Noise
- RoHS directive compliant

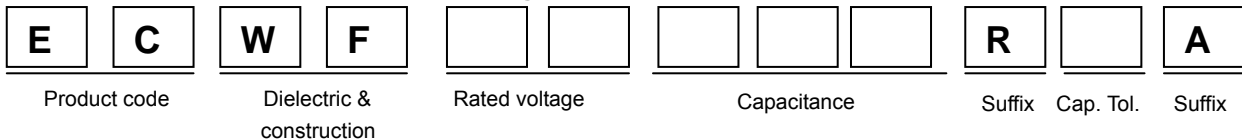
■ Recommended Applications

- 250VDC: High frequency and high current circuits
- 450VDC: Active filter circuits

■ Explanation of Part Numbers



● Explanation of Part Numbers for Odd Size Taping



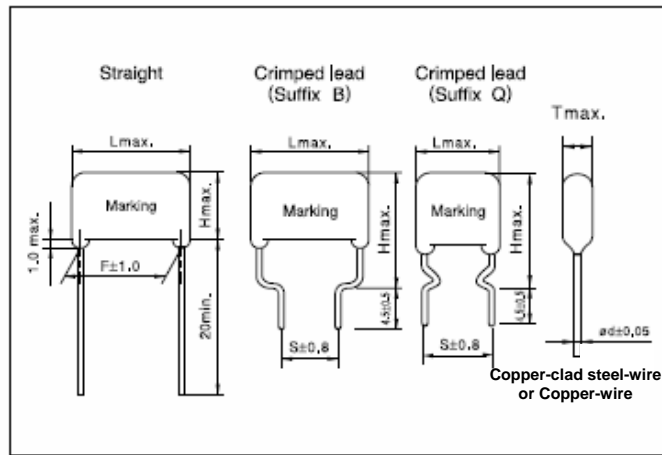
■ Specifications

Category temp. range (Including temperature-rise on unit surface)	-40 °C to +105 °C	
Rated voltage	250 VDC	
	450 VDC Peak to peak voltage applied on the capacitor should be less than 240Vp-p, and zero to peak voltage should be less than 450V.	
Capacitance range	250 VDC	0.1 uF to 6.8 uF
	450 VDC	0.1 uF to 4.7 uF
Capacitance tolerance	250 VDC	±3% (H), ±5% (J)
	450 VDC	±5% (J), ±10 % (K)
Withstand voltage	Between terminals: Rated voltage(VDC) × 150 % 60 s	
Dissipation factor (tan δ)	tan δ ≤ 0.1 % (20 °C, 1 kHz)	
Insulation resistance (IR)	250 VDC	C ≤ 0.33 uF: IR ≥ 9000 MΩ C > 0.33 uF: IR ≥ 3000 MΩ · uF (20 °C, 100 VDC, 60 s)
	450 VDC	C ≤ 0.33 uF: IR ≥ 30,000 MΩ C > 0.33 uF: IR ≥ 10,000 MΩ · uF (20 °C, 100 VDC, 60 s)

*In case of applying voltage in alternating current (50 Hz or 60 Hz sine wave) to a capacitor with DC rated voltage, please refer to the page of "Permissible voltage (R.M.S) in alternating current corresponding to DC rated voltage".

■ Dimensions in mm (not to scale)

(Dimensions : mm)

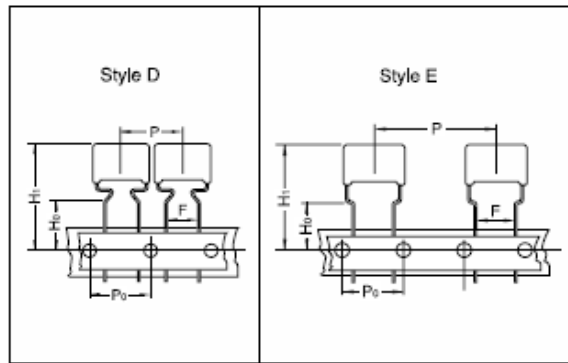


■ Packaging Specification for Bulk Package

Packing quantity: 100 pcs./bag

■ Taping Specifications for Automatic Insertion

● Taping style



*Refer to the page of taping specifications.

● Packaging Specifications

● Lead Spacing

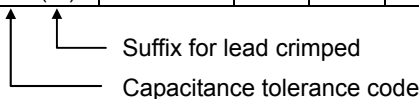
Type	Rated voltage	Cap. Range (uF)	Taping Style						Packing	Suffix
			AD	AS	B	C	D	E		
ECWF(A)	250 VDC	0.10 to 0.47					○		Ammo	R()A
		0.56 to 2.2					○			
	450 VDC	0.10 to 0.47					○			
		0.56 to 2.2					○			

Style	Lead spacing
D	7.5 mm
E	7.5 mm

■ Rating, Dimension & Quantity / Ammo Box

● Type ECWF(A) Rated voltage : 250 VDC

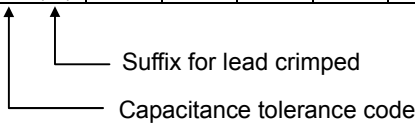
Part No.	Capacitance (uF)	Dimensions (mm)										Quantity	
		L ^{max}	T ^{max}	H ^{max}			F	S		G ^{max}	Φ d		
				Straight	Crimped lead (Suffix B)	Crimped lead (Suffix Q)		Straight	Crimped lead (Suffix B)				Crimped lead (Suffix Q)
ECWF2104□A()	0.10	13.0	5.0		14.1	14.1			7.5	10.0		0.6	1300
ECWF2124□A()	0.12	13.0	5.3		14.4	14.4			7.5	10.0		0.6	1200
ECWF2154□A()	0.15	13.0	5.6		14.7	14.7			7.5	10.0		0.6	1100
ECWF2184□A()	0.18	13.0	5.9		15.1	15.1			7.5	10.0		0.6	
ECWF2224□A()	0.22	13.0	6.3		15.4	15.4			7.5	10.0		0.6	1000
ECWF2274□A()	0.27	13.0	6.8		15.9	15.9			7.5	10.0		0.6	900
ECWF2334□A()	0.33	13.0	7.3		16.4	16.4			7.5	10.0		0.6	
ECWF2394□A()	0.39	13.0	7.8		16.9	16.9			7.5	10.0		0.6	800
ECWF2474□A()	0.47	13.0	8.4		17.6	17.6			7.5	10.0		0.6	700
ECWF2564□A()	0.56	18.1	6.9		16.4	18.4			7.5	15.0		0.8	400
ECWF2684□A()	0.68	18.1	7.4		17.0	19.0			7.5	15.0		0.8	
ECWF2824□A()	0.82	18.1	8.0		17.6	19.6			7.5	15.0		0.8	
ECWF2105□A()	1.00	18.1	8.5	13.3	18.3	20.3	15.0		7.5	15.0	1.5	0.8	300
ECWF2125□A()	1.20	18.8	9.5	14.6	19.6	21.6	15.0		7.5	15.0	1.5	0.8	
ECWF2155□A()	1.50	18.8	10.5	15.6	20.6	22.6	15.0		7.5	15.0	1.5	0.8	
ECWF2185□A()	1.80	18.8	11.4	16.5	21.5	23.5	15.0		7.5	15.0	1.5	0.8	200
ECWF2225□A()	2.20	18.8	12.6	17.6	22.6	24.6	15.0		7.5	15.0	1.5	0.8	
ECWF2275□A()	2.70	23.8	11.4	17.2	22.2	24.2	20.0		12.5	20.0	1.5	0.8	—
ECWF2335□A()	3.30	23.8	12.5	18.3	23.3	25.3	20.0		12.5	20.0	1.5	0.8	
ECWF2395□A()	3.90	23.8	13.5	19.3	24.3	26.3	20.0		12.5	20.0	1.5	0.8	
ECWF2475□A()	4.70	23.8	14.8	20.6	25.6	27.6	20.0		12.5	20.0	1.5	0.8	
ECWF2565□A()	5.60	23.8	16.2	21.9	26.9	28.9	20.0		12.5	20.0	1.5	0.8	
ECWF2685□A()	6.80	23.8	17.8	23.5	28.5	30.5	20.0		12.5	20.0	1.5	0.8	



■ Rating, Dimension & Quantity / Ammo Box

● Type ECWF(A) Rated voltage : 450VDC

Part No.	Capacitance (μF)	Dimensions (mm)										Quantity		
		L ^{max}	T ^{max}	H ^{max}			F	S		G ^{max}	Φ d	Ammo 7.5mm		
				Straight	Crimped lead (Suffix B)	Crimped lead (Suffix Q)		Crimped lead (Suffix B)	Crimped lead (Suffix Q)					
ECWF2W104□A()	0.10	13.0	5.1	—	—	—	—	7.5	10.0	1.5	0.6	1200		
ECWF2W124□A()	0.12	13.0	5.4					14.3	14.3	7.5	10.0		1.5	0.6
ECWF2W154□A()	0.15	13.0	5.7					14.5	14.5	7.5	10.0		1.5	0.6
ECWF2W184□A()	0.18	13.0	6.1					14.9	14.9	7.5	10.0		1.5	0.6
ECWF2W224□A()	0.22	13.0	6.5					15.2	15.2	7.5	10.0		1.5	0.6
ECWF2W274□A()	0.27	13.0	7.0					15.6	15.6	7.5	10.0		1.5	0.6
ECWF2W334□A()	0.33	13.0	7.6					16.1	16.1	7.5	10.0		1.5	0.6
ECWF2W394□A()	0.39	13.0	8.1					16.7	16.7	7.5	10.0		1.5	0.6
ECWF2W474□A()	0.47	13.0	8.7					17.2	17.2	7.5	10.0		1.5	0.6
ECWF2W564□A()	0.56	18.1	7.0	17.9	17.9	7.5	10.0	1.5	0.6	700				
ECWF2W564□A()	0.56	18.1	7.0	11.5	16.5	18.5	15.0	7.5	15.0		1.5	0.8		
ECWF2W684□A()	0.68	18.1	7.5	12.1	17.1	19.1	15.0	7.5	15.0		1.5	0.8		
ECWF2W824□A()	0.82	18.1	8.2	12.7	17.7	19.7	15.0	7.5	15.0		1.5	0.8		
ECWF2W105□A()	1.00	18.1	9.3	12.6	17.6	19.6	15.0	7.5	15.0		1.5	0.8		
ECWF2W125□A()	1.20	18.8	9.7	14.7	19.7	21.7	15.0	7.5	15.0		1.5	0.8		
ECWF2W155□A()	1.50	18.8	10.7	15.8	20.8	22.8	15.0	7.5	15.0		1.5	0.8		
ECWF2W185□A()	1.80	18.8	11.6	16.7	21.7	23.7	15.0	7.5	15.0		1.5	0.8		
ECWF2W225□A()	2.20	18.8	12.8	17.9	22.9	24.9	15.0	7.5	15.0		1.5	0.8		
ECWF2W275□A()	2.70	26.3	10.6	16.5	21.5	23.5	22.5	15.0	22.5	1.5	0.8			
ECWF2W335□A()	3.30	26.3	11.7	17.5	22.5	24.5	22.5	15.0	22.5	1.5	0.8			
ECWF2W395□A()	3.90	26.3	12.6	18.4	23.4	25.4	22.5	15.0	22.5	1.5	0.8			
ECWF2W475□A()	4.70	26.3	13.8	19.6	24.6	26.6	22.5	15.0	22.5	1.5	0.8			



Mouser Electronics

Authorized Distributor

Click to View Pricing, Inventory, Delivery & Lifecycle Information:

Panasonic:

[ECW-F2105JA](#) [ECW-F2125JA](#) [ECW-F2155JA](#) [ECW-F2185JA](#) [ECW-F2225JA](#) [ECW-F2275JA](#) [ECW-F2335JA](#)
[ECW-F2395JA](#) [ECW-F2475JA](#) [ECW-F2565JA](#) [ECW-F2685JA](#) [ECW-F2W104JAQ](#) [ECW-F2W105JA](#) [ECW-](#)
[F2W124JAQ](#) [ECW-F2W125JA](#) [ECW-F2W154JAQ](#) [ECW-F2W155JA](#) [ECW-F2W184JAQ](#) [ECW-F2W185JA](#) [ECW-](#)
[F2W224JAQ](#) [ECW-F2W225JA](#) [ECW-F2W274JAQ](#) [ECW-F2W275JA](#) [ECW-F2W334JAQ](#) [ECW-F2W335JA](#) [ECW-](#)
[F2W394JAQ](#) [ECW-F2W395JA](#) [ECW-F2W474JAQ](#) [ECW-F2W475JA](#) [ECW-F2W564JA](#) [ECW-F2W684JA](#) [ECW-](#)
[F2W824JA](#) [ECW-F2104JAQ](#) [ECW-F2124JAQ](#) [ECW-F2154JAQ](#) [ECW-F2184JAQ](#) [ECW-F2224JAQ](#) [ECW-F2274JAQ](#)
[ECW-F2334JAQ](#) [ECW-F2394JAQ](#) [ECW-F2474JAQ](#) [ECW-F2564JAQ](#) [ECW-F2684JAQ](#) [ECW-F2824JAQ](#) [ECW-](#)
[F2W225KA](#) [ECW-F2W105KA](#) [ECW-F2W125KA](#) [ECW-F2W155KA](#) [ECW-F2W185KA](#) [ECW-F2W275KA](#) [ECW-](#)
[F2W335KA](#) [ECW-F2W395KA](#) [ECW-F2W475KA](#) [ECW-F2W564KA](#) [ECW-F2W684KA](#) [ECW-F2W824KA](#)