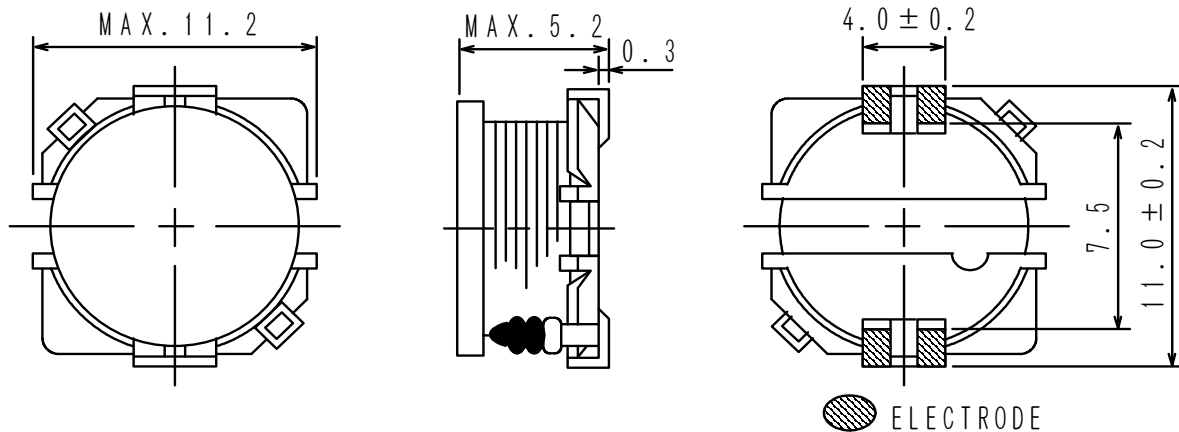
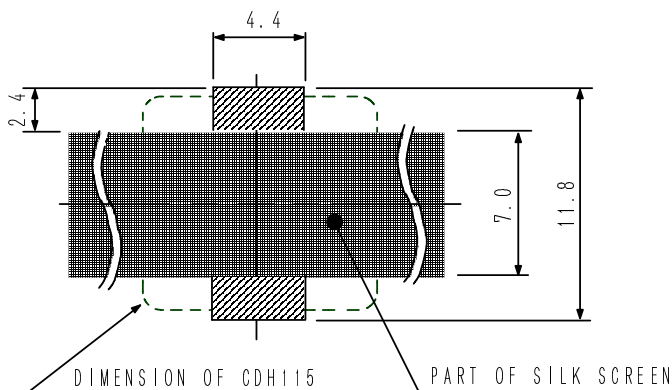


Type: CDH115
◆ Product Description

- 11.2×11.2mm Max.(L×W), 5.2mm Max. Height.
- Inductance range: 10~470 μ H.
- Rated current range: 0.45~3.0A.
- In addition to the standard versions of inductors shown here, custom inductors are available to meet your exact requirements.


◆ Feature

- Magnetically unshielded construction.
- Storage temperature range: -40°C~+100°C.
- Operating temperature range: -40°C~+125°C (Including coil's self heat).
- Ideally used in Notebook PC ,DVD, LCD TV ,Game machine, Projector etc as DC-DC converter inductors.
- Qualification to AEC-Q200.
- RoHS compliance.

◆ Dimensions (mm)

◆ Land Pattern (mm)


Type: CDH115
◆ Specification

Part Name ※	Stamp	Inductance (μ H) 1 kHz	D.C.R.(Ω) Max.(Typ.) (at 20°C)	Rated Current (A) ※1
CDH115NP-100M□	100	10 \pm 20%	28m(22m)	3.00
CDH115NP-120M□	120	12 \pm 20%	33m(25m)	2.80
CDH115NP-150M□	150	15 \pm 20%	39m(30m)	2.50
CDH115NP-180L□	180	18 \pm 15%	49m(38m)	2.25
CDH115NP-220L□	220	22 \pm 15%	60m(46m)	2.10
CDH115NP-270L□	270	27 \pm 15%	70m(54m)	1.84
CDH115NP-330L□	330	33 \pm 15%	82m(63m)	1.68
CDH115NP-390K□	390	39 \pm 10%	0.11(85m)	1.52
CDH115NP-470K□	470	47 \pm 10%	0.13(0.10)	1.36
CDH115NP-560K□	560	56 \pm 10%	0.14(0.11)	1.28
CDH115NP-680K□	680	68 \pm 10%	0.16(0.12)	1.20
CDH115NP-820K□	820	82 \pm 10%	0.21(0.16)	1.04
CDH115NP-101K□	101	100 \pm 10%	0.26(0.20)	0.96
CDH115NP-121K□	121	120 \pm 10%	0.29(0.22)	0.88
CDH115NP-151K□	151	150 \pm 10%	0.40(0.31)	0.76
CDH115NP-181K□	181	180 \pm 10%	0.45(0.35)	0.72
CDH115NP-221K□	221	220 \pm 10%	0.53(0.40)	0.66
CDH115NP-271K□	271	270 \pm 10%	0.73(0.56)	0.59
CDH115NP-331K□	331	330 \pm 10%	0.84(0.65)	0.53
CDH115NP-391K□	391	390 \pm 10%	1.10(0.84)	0.48
CDH115NP-471K□	471	470 \pm 10%	1.24(0.96)	0.45

※ Description of part name

CDH115NP-100M□
 └── B Box
 └── C Carrier Tape

※1. Rated current: The DC current at which the inductance decreases to 90% of it's initial value or when $\Delta t=40^{\circ}\text{C}$, whichever is lower($T_a=20^{\circ}\text{C}$).