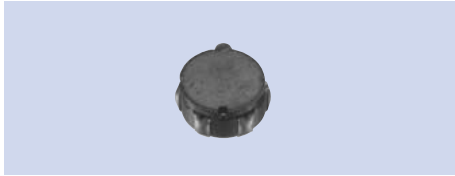


# Transformers for DC-DC Converter C6-J, C7-J, C8-J Series

Coils, Filters

## C6-J3R

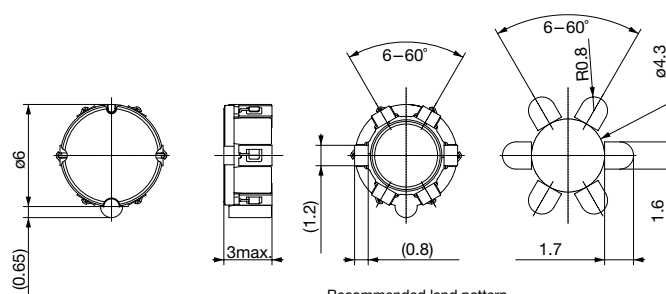


**Specifications**

- (1) -
- (2) 100~1000kHz
- (3) 1.4W

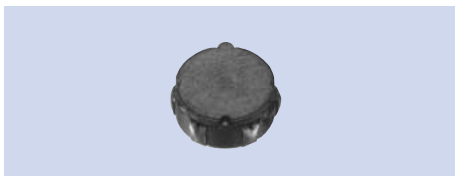
**Features**

SMD type 2 output  
correspond transformer



Recommended land pattern  
dimensions of PWB(5/1)  
(General tolerance  $\pm 0.1$ )

## C7-J3R

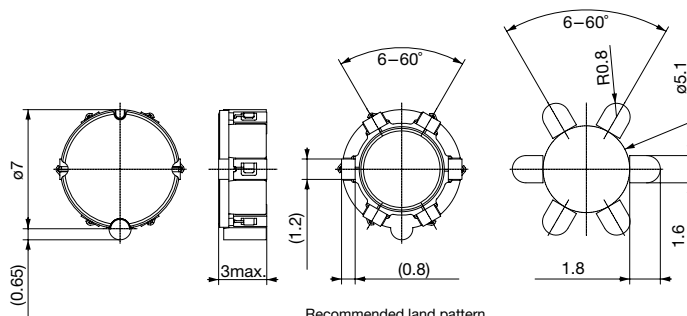


**Specifications**

- (1) -
- (2) 100~1000kHz
- (3) 1.6W

**Features**

SMD type 2 output  
correspond transformer



Recommended land pattern  
dimensions of PWB(5/1)  
(General tolerance  $\pm 0.1$ )

## C8-J3R

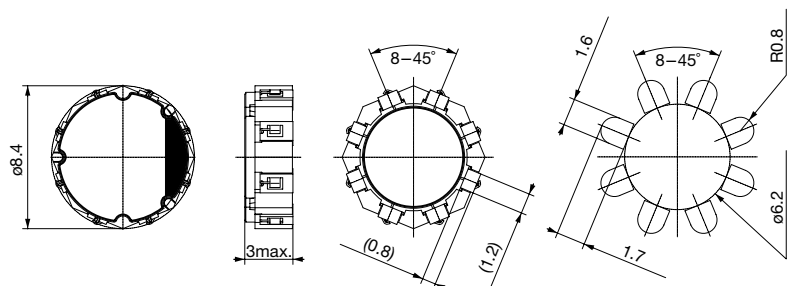


**Specifications**

- (1) -
- (2) 100~1000kHz
- (3) 1.9W

**Features**

SMD type 3 output  
correspond transformer



Recommended land pattern  
dimensions of PWB (5/1)  
(General tolerance  $\pm 0.1$ )

- (1) Inductance
- (2) Operational frequency
- (3) Power Capacity