

RED INDICATES ORIGINAL

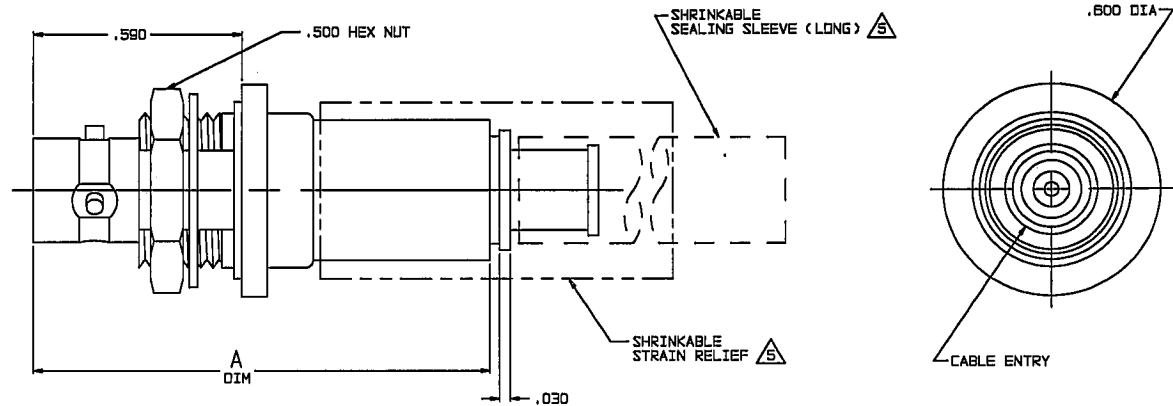
DASH NO	CABLES ACCOMMODATED	A DIM	B HEX	ASSEMBLE PER
-201	M17/176-00002	1.164	.255	TAI-143
-202	TWC-78-1			
-203	TWC-124-1A			
-204	10B02, RAYCHEM			
-205	TWAC-78-1F2			
-206	792800130, RAYCHEM			
-207	89310 BELDEN			
-208	202-3927 MICRODOT			
-209	202-3942 MICRODOT			
-210	8451 BELDEN			
-211	202-3934 MICRODOT			
-212	2524E0114, RAYCHEM			
-213	TWC-78-2			
-214	TWC-124-2			
-215	BL-882 TIMES			
-216	BL-1242 TIMES			
-217	GCB75TM24H, GRUMMAN			
-218	EPD 221888, RAYCHEM			
-219	252601114, RAYCHEM			
-220	GCB75RR1, GRUMMAN	1.164	.255	TAI-143
-221	10614, RAYCHEM			
-222	10613, RAYCHEM			
-223	HMS2-1149, HUGHES			
-224	TVCP-124-3			
-225	PS685PL, PRIME STOCK			

INCH	MM
.005	0.13
.030	0.76
.125	3.18
.187	4.75
.190	4.83
.255	6.48
.344	8.74
.439	11.15
.443	11.25
.500	12.70
.560	14.99
.600	15.24
1.00	25.40
1.164	29.57
1.25	31.75
1.289	32.74
1.75	44.45

DATA CONTAINED IN THIS DOCUMENT IS PROPRIETARY TO TROMPETER ELECTRONICS, INC. AND SHALL NOT BE DISCLOSED, COPIED OR USED FOR PROCUREMENT OR MANUFACTURE WITHOUT EXPRESS WRITTEN PERMISSION.

REV		ED	DESCRIPTION	DWN	APPROVED	DATE
L	12980	ADDED	-224, AND -225; SEE ECD	DBN	W.M. M.M.	5/18/98

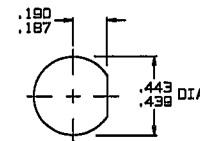
DASH NO	CABLES ACCOMMODATED	A DIM	B HEX	ASSEMBLE PER
-301	GCB75GC1, GRUMMAN	1.164	.255	TAI-157
-302	GCB75GB1, GRUMMAN			
-303	5022E5111, RAYCHEM			
-304	7528A5314, RAYCHEM	1.289	.344	TAI-173
-305	M17/177-00001/295-3904-MICRODOT			
-306	TRC-50-2			
-307	M17/134-00002			
-308	TRC-75-1			
-309	TRC-75-2	1.164	.255	TAI-157
-309	TRC-50-1			



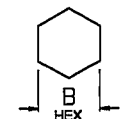
-207 SHOWN

- 1 SHRINKABLE STRAIN RELIEF AND/OR SHRINKABLE SEALING SLEEVE SUPPLIED LOOSE AS FOLLOWS:
- CABLE GROUPS -207, -210 & -307:
 - 1 SHRINKABLE STRAIN RELIEF (1.00 LONG)
 - 1 SHRINKABLE SEALING SLEEVE (1.25 LONG)
 - CABLE GROUPS -201 THROUGH -206, -208, -209, -217 THROUGH -223, -301, -302, -303 & -309:
 - 1 SHRINKABLE SEALING SLEEVE (1.25 LONG)
 - CABLE GROUPS -211 THROUGH -216, -224, -225, -305, -306, AND -308:
 - 1 SHRINKABLE STRAIN RELIEF (1.75 LONG)
4. MAX PANEL THK .125
3. 3-LUG SUBMINIATURE CONCENTRIC TWINAX (4 PIECE ASSY) AND TRIAX (8 PIECE ASSY) FULL CRIMP NONINSULATED BULKHEAD MOUNT RECEPTACLE
2. FINISH: TFS-1A (NICKEL)
1. ALL DIMENSIONS ARE IN INCHES

7. EXAMPLE OF COMPLETE MODEL NO:
 BJ159AC -201
- BASIC MODEL NO. | CABLE GROUP DASH NO
6. EXAMPLE OF COMPLETE PART NO.
 3-0232 -201
- BASIC PART NO. | CABLE GROUP DASH NO



RECOMMENDED
 PANEL CUTOUT
 SCALE: NONE



RECOMMENDED
 HEX CRIMP
 SCALE: NONE

QTY	DESCRIPTION	PART NUMBER	ITEM
TOL UNLESS SPECIFIED .XX ± .03 .XXX ± .005 ANGLES	TROMPETER ELECTRONICS, INC.	BJ159AC	
DWN DBN 3/24/98	MATERIAL	CODE IDENT	DRAWING NO.
CHK W.M. 4-17-98		14949	3-0232
ENGR			REV L
APPR W.M. 5/18/98	SCALE 4/1	DATE 5-31-85	SHEET 1 OF 2