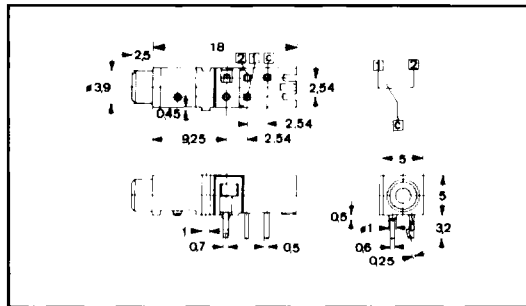


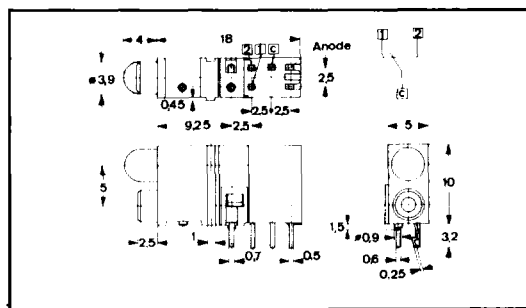
Switch Jacks Ø 2mm Plugs

Single Switch Jack



Order No.
90-1417-1140

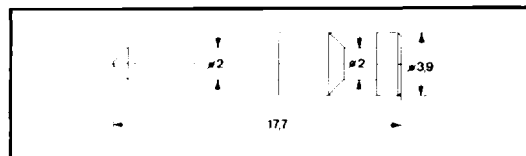
Single Switch Jack with LED



LED Type	LED Color	Order No.
A 1	red	90-1416-1142
A 3	yellow	90-1416-1147
A 4	green	90-1416-1148

ESD protected 15 kV

Fitting Plug



Color	Order No.
red	90-1417-0102
black	90-1417-0103
grey	90-1417-0104
yellow	90-1417-0107
green	90-1417-0108

Material: Polyamid