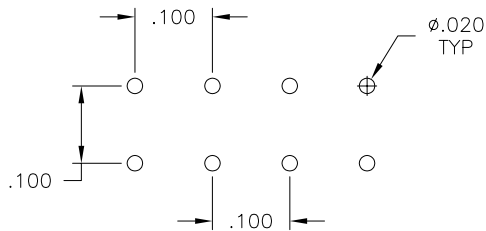
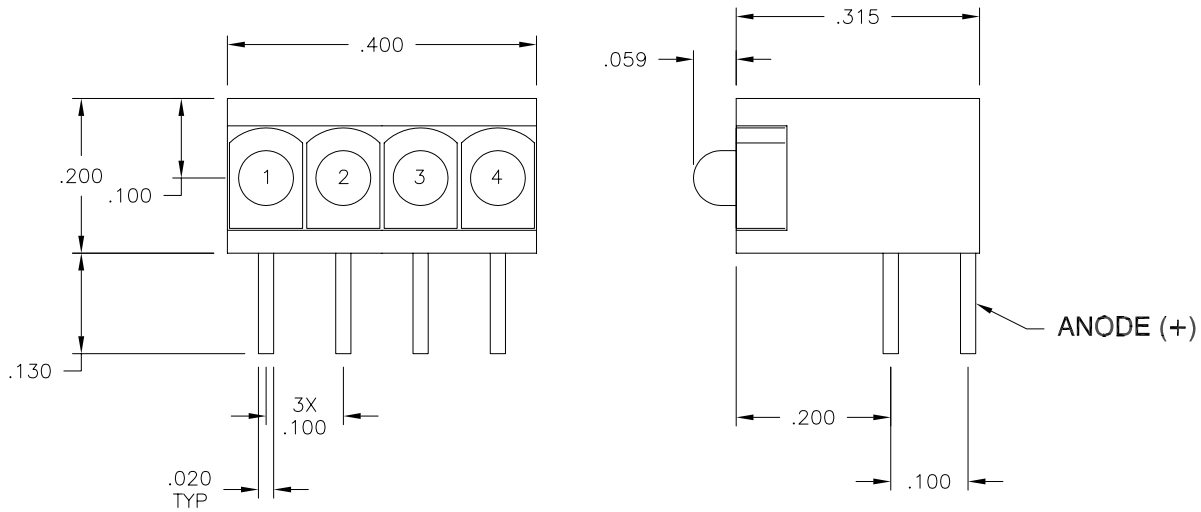


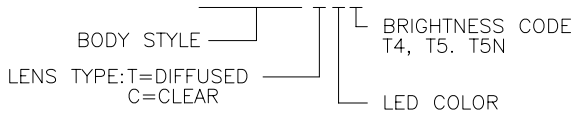
LTR	REVISION	DATE	APPD
-	RELEASED	08-06-98	
A	RSVD PER ECR 111099-SA03	11-10-99	CM



FOOT PRINT

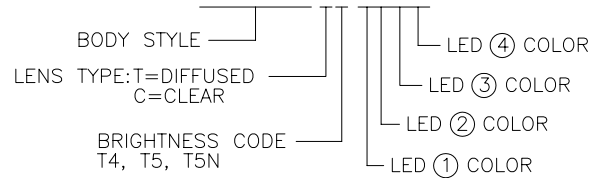
ALL LEDS SAME COLOR

14PCT070TR4



MIX COLORS

14PCT070T4-RYGG



COLOR CODE	L.E.D. RADIATION COLOR	ELECTRO-OPTICAL CHARACTERISTICS (Ta=25°C)			
		If=mA typ	Iv mcd typ	Vf=V typ/max	λP nm
R	RED	10	12.5	2.0/2.6	625
Y	YELLOW	10	5.5	2.1/2.6	590
G	GREEN	10	5.5	2.2/2.6	565

**LED**<sup>®</sup>  
**LEDTRONICS,™ INC.**  
 29105 KASHIWA COURT  
 TORRANCE, CA 90505

**-PROPRIETARY-**  
 This document contains Proprietary information of LEDTRONICS,™ INC. It may not be copied, used or disclosed for any purpose without the prior express written consent of LEDTRONICS,™ INC.

.XXX ± .010 TOLERANCE PER ANSI-Y14.5  
 .XX ± .025 (UNLESS OTHERWISE STATED)  
 ANGLES ± 0°,30'  
 FRACT. ± 1/32

TITLE				<b>14PCT070TX4 (T4 -XXXX)</b>			
DWG NO		SCALE		SHEET		DATE	
SDPC0314		4:1		1 OF 1		08-06-98	
CODE IDENT NO.	DWG BY	CHK BY	QA	MNFG RA	CUSTOMER		
8Z410	SMA		JCH	RA	01-31-0001-31-00		