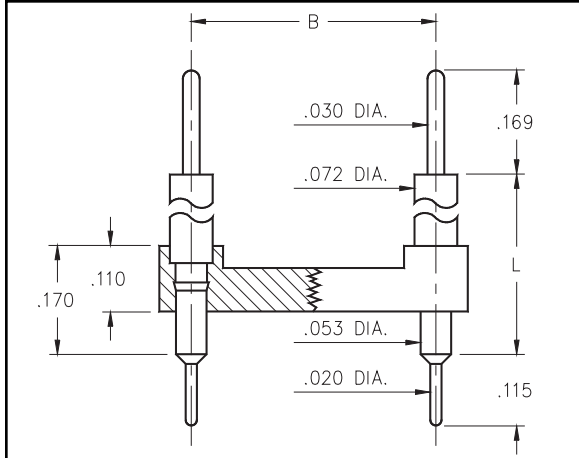




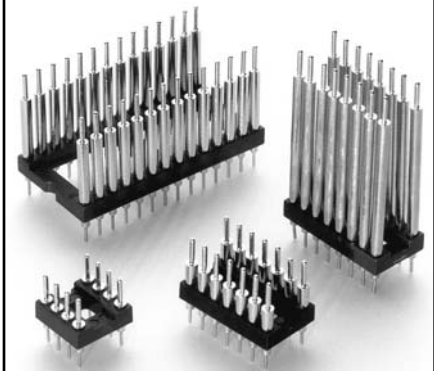
DUAL-IN-LINE PIN HEADERS

Interconnect Open Frame

Series 134



- Series 134 DIL Headers combine .030" pins with pluggable .020" solder tails (M-M#3402, 3401, 3405, 3400 or 3410). See page 173 for details.
- Used to interconnect PC boards with spacings of .190", .236", .315", .605" or 1.070".



Total number of pins	Pin Spacing			Quantity per tube	Ordering Information					
	A	B	C		L = .190	L = .236	L = .315	L = .605	L = 1.070	
	.100 (TYP)									
10	0.5	0.2	0.3	41	134-XX-210-00-020	134-XX-210-00-010	134-XX-210-00-050	134-XX-210-00-000	134-XX-210-00-100	
4	0.2	0.3	0.4	102	134-XX-304-00-020	134-XX-304-00-010	134-XX-304-00-050	134-XX-304-00-000	134-XX-304-00-100	
6	0.3	0.3	0.4	67	134-XX-306-00-020	134-XX-306-00-010	134-XX-306-00-050	134-XX-306-00-000	134-XX-306-00-100	
8	0.4	0.3	0.4	50	134-XX-308-00-020	134-XX-308-00-010	134-XX-308-00-050	134-XX-308-00-000	134-XX-308-00-100	
10	0.5	0.3	0.4	40	134-XX-310-00-020	134-XX-310-00-010	134-XX-310-00-050	134-XX-310-00-000	134-XX-310-00-100	
14	0.7	0.3	0.4	28	134-XX-314-00-020	134-XX-314-00-010	134-XX-314-00-050	134-XX-314-00-000	134-XX-314-00-100	
16	0.8	0.3	0.4	25	134-XX-316-00-020	134-XX-316-00-010	134-XX-316-00-050	134-XX-316-00-000	134-XX-316-00-100	
18	0.9	0.3	0.4	22	134-XX-318-00-020	134-XX-318-00-010	134-XX-318-00-050	134-XX-318-00-000	134-XX-318-00-100	
20	1.0	0.3	0.4	20	134-XX-320-00-020	134-XX-320-00-010	134-XX-320-00-050	134-XX-320-00-000	134-XX-320-00-100	
22	1.1	0.3	0.4	18	134-XX-322-00-020	134-XX-322-00-010	134-XX-322-00-050	134-XX-322-00-000	134-XX-322-00-100	
24	1.2	0.3	0.4	16	134-XX-324-00-020	134-XX-324-00-010	134-XX-324-00-050	134-XX-324-00-000	134-XX-324-00-100	
28	1.4	0.3	0.4	14	134-XX-328-00-020	134-XX-328-00-010	134-XX-328-00-050	134-XX-328-00-000	134-XX-328-00-100	
20	1.0	0.4	0.5	20	134-XX-420-00-020	134-XX-420-00-010	134-XX-420-00-050	134-XX-420-00-000	134-XX-420-00-100	
22	1.1	0.4	0.5	18	134-XX-422-00-020	134-XX-422-00-010	134-XX-422-00-050	134-XX-422-00-000	134-XX-422-00-100	
24	1.2	0.4	0.5	16	134-XX-424-00-020	134-XX-424-00-010	134-XX-424-00-050	134-XX-424-00-000	134-XX-424-00-100	
28	1.4	0.4	0.5	14	134-XX-428-00-020	134-XX-428-00-010	134-XX-428-00-050	134-XX-428-00-000	134-XX-428-00-100	
32	1.6	0.4	0.5	12	134-XX-432-00-020	134-XX-432-00-010	134-XX-432-00-050	134-XX-432-00-000	134-XX-432-00-100	
24	1.2	0.6	0.7	16	134-XX-624-00-020	134-XX-624-00-010	134-XX-624-00-050	134-XX-624-00-000	134-XX-624-00-100	
28	1.4	0.6	0.7	14	134-XX-628-00-020	134-XX-628-00-010	134-XX-628-00-050	134-XX-628-00-000	134-XX-628-00-100	
32	1.6	0.6	0.7	12	134-XX-632-00-020	134-XX-632-00-010	134-XX-632-00-050	134-XX-632-00-000	134-XX-632-00-100	
36	1.8	0.6	0.7	11	134-XX-636-00-020	134-XX-636-00-010	134-XX-636-00-050	134-XX-636-00-000	134-XX-636-00-100	
40	2.0	0.6	0.7	10	134-XX-640-00-020	134-XX-640-00-010	134-XX-640-00-050	134-XX-640-00-000	134-XX-640-00-100	
42	2.1	0.6	0.7	9	134-XX-642-00-020	134-XX-642-00-010	134-XX-642-00-050	134-XX-642-00-000	134-XX-642-00-100	
48	2.4	0.6	0.7	8	134-XX-648-00-020	134-XX-648-00-010	134-XX-648-00-050	134-XX-648-00-000	134-XX-648-00-100	
50	2.5	0.6	0.7	8	134-XX-650-00-020	134-XX-650-00-010	134-XX-650-00-050	134-XX-650-00-000	134-XX-650-00-100	
52	2.6	0.6	0.7	7	134-XX-652-00-020	134-XX-652-00-010	134-XX-652-00-050	134-XX-652-00-000	134-XX-652-00-100	
50	2.5	0.9	1.0	8	134-XX-950-00-020	134-XX-950-00-010	134-XX-950-00-050	134-XX-950-00-000	134-XX-950-00-100	
52	2.6	0.9	1.0	7	134-XX-952-00-020	134-XX-952-00-010	134-XX-952-00-050	134-XX-952-00-000	134-XX-952-00-100	
64	3.2	0.9	1.0	6	134-XX-964-00-020	134-XX-964-00-010	134-XX-964-00-050	134-XX-964-00-000	134-XX-964-00-100	
					SPECIFY PLATING CODE XX=		10	90		
					Pin Plating		10μ" Au	200μ" Sn/Pb		