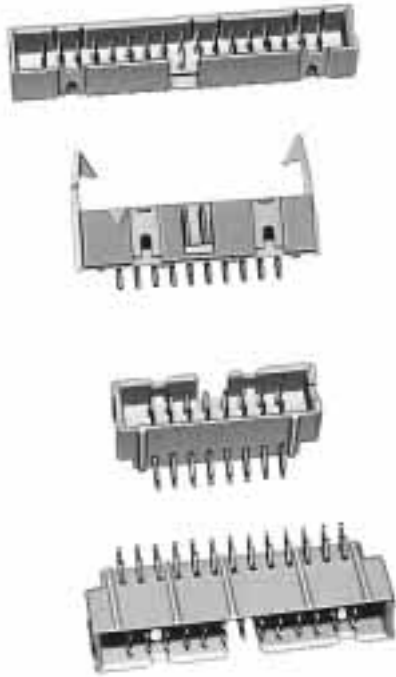
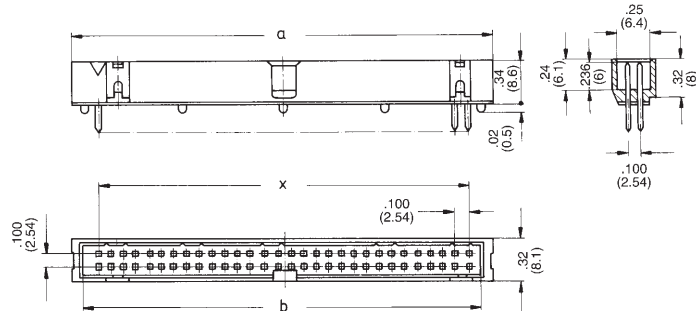


**Series 057  
Low Profile  
Headers**

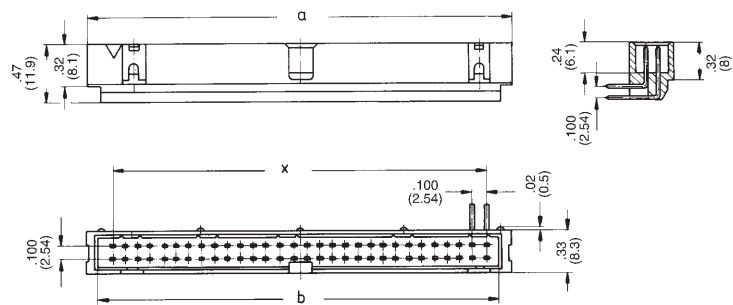
**6 to 64 contact**



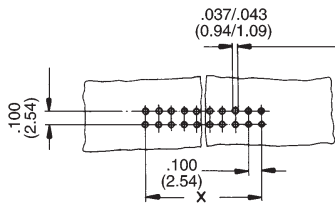
**Straight**



**Angled**



**Printed Circuit Layout**



**No. of contacts - Dimensions**

	6	10	14	16	20	26	34	40	50	60	64
a	.61" (15.4)	.81" (20.6)	1.01" (25.7)	1.11" (28.2)	1.31" (33.3)	1.61" (40.9)	2.01" (51.1)	2.31" (58.7)	2.81" (71.4)	3.31" (84.1)	3.51" (89.2)
b	.51" (12.9)	.71" (18.0)	.91" (23.1)	1.01" (25.7)	1.21" (30.7)	1.51" (38.3)	1.91" (48.5)	2.21" (56.1)	2.71" (68.8)	3.21" (81.5)	3.41" (86.6)
x(c)	.200" (5.08)	.400" (10.16)	.600" (15.24)	.700" (17.78)	.900" (22.86)	1.200" (30.48)	1.600" (40.64)	1.900" (48.26)	2.400" (60.96)	2.900" (73.66)	3.100" (78.74)

**Part numbers**

No. of contacts 6, 10, 14, 16, 20, 26, 34, 40, 50, 60, 64, 80

□□ = Number of Circuits

Termination Methods	Tail Length	Plating Options	Style	
			Straight	Angled
Wave Solder	.177" (4.5mm)	30μ" Au/Ni	<b>057-0</b> □□ - 132	<b>057-0</b> □□ - 032
		15μ" Au/Ni	<b>057-0</b> □□ - 152	<b>057-0</b> □□ - 052
	.114" (2.9mm)	30μ" Au/Ni	<b>057-0</b> □□ - 133	<b>057-0</b> □□ - 033
		15μ" Au/Ni	<b>057-0</b> □□ - 153	<b>057-0</b> □□ - 053

Contact factory for press-fit availability