



Dear customers,

About the change in the name such as "Oki Electric Industry Co. Ltd." and "OKI" in documents to OKI Semiconductor Co., Ltd.

The semiconductor business of Oki Electric Industry Co., Ltd. was succeeded to OKI Semiconductor Co., Ltd. on October 1, 2008. Therefore, please accept that although the terms and marks of "Oki Electric Industry Co., Ltd.", "Oki Electric", and "OKI" remain in the documents, they all have been changed to "OKI Semiconductor Co., Ltd.". It is a change of the company name, the company trademark, and the logo, etc. , and NOT a content change in documents.

October 1, 2008
OKI Semiconductor Co., Ltd.

OKI SEMICONDUCTOR CO., LTD.

550-1 Higashiasakawa-cho, Hachioji-shi, Tokyo 193-8550, Japan
<http://www.okisemi.com/en/>

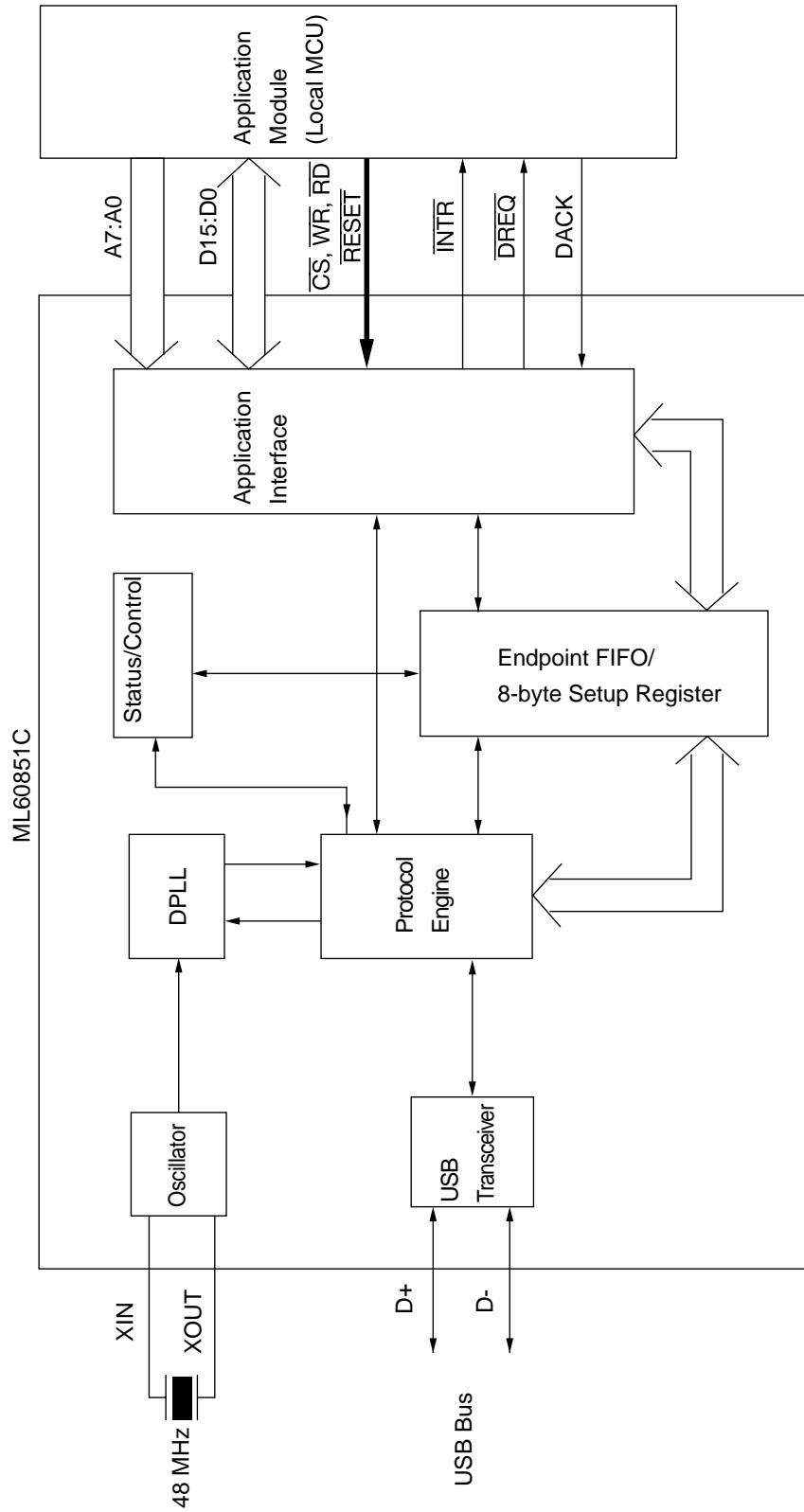
OKI Semiconductor**ML60851C****Preliminary****USB Device Controller****GENERAL DESCRIPTION**

The ML60851C is a general purpose Universal Serial Bus (USB) device controller. The ML60851C provides a USB interface, control/status block, application interface, and FIFOs. The FIFO interface and two types of transfer have been optimized for BulkOut devices such as printers and BulkIn devices such as digital still cameras and image scanners. In addition, Mass Storage devices are also applicable to this device.

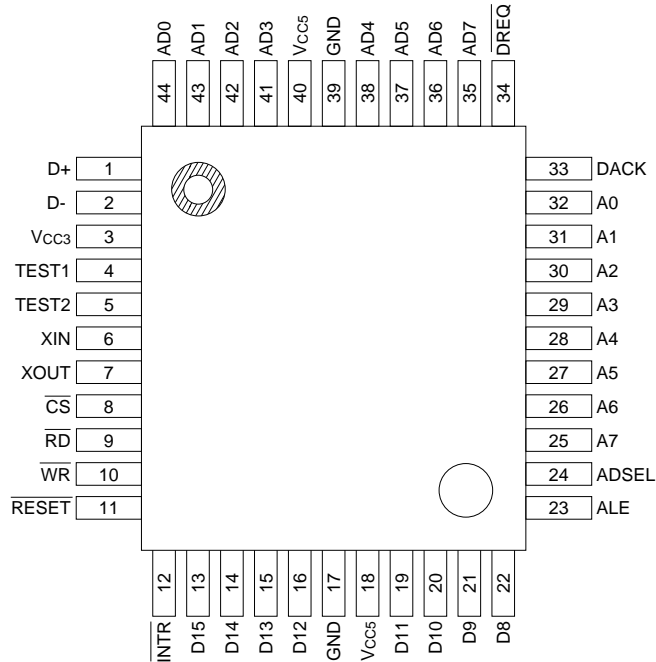
FEATURES

- USB 1.0 compliant
- Built-in USB transceiver circuit
- Full-speed (12 Mb/sec) support
- Supports printer device class, image device class, and Mass Storage device class
- Supports three types of transfer; control transfer, bulk transfer, and interrupt transfer
- Built-in FIFOs for control transfer
 - Two 8-byte FIFOs (one for receive FIFO and the other for transmit FIFO)
- Built-in FIFOs for bulk transfer (available for either receive FIFO or transmit FIFO)
 - One 64-byte FIFO
 - Two 64-byte FIFOs
- Built-in FIFO for interrupt transfer
 - One 8-byte FIFO
- Supports one control endpoint, two bulk endpoint addresses, and one interrupt endpoint address
- Two 64-byte FIFOs enable fast BulkOut transfer and BulkIn transfer
- Supports 8 bit/16 bit DMA transfer
- V_{CC} is 3.0 V to 3.6 V
- Supporting dual power supply enables 5 V application interface
- Built-in 48 MHz oscillator circuit
- Package options:
 - 44-pin plastic QFP (QFP44-P-910-0.80-2K) (Product name: ML60851CGA)
 - 44-pin plastic TQFP (TQFP44-P-1010-0.80-K) (Product name: ML60851CTB)

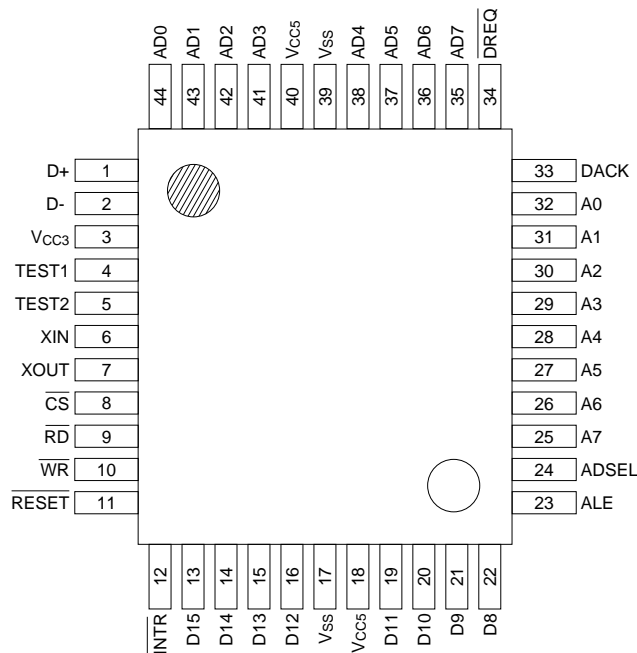
BLOCK DIAGRAM



PIN CONFIGURATION (TOP VIEW)



44-Pin Plastic QFP



44-Pin Plastic TQFP

PIN DESCRIPTION

Pin	Symbol	Type	Description
1,2	D+, D-	I/O	USB data
6, 7	XIN, XOUT	—	Pins for external crystal oscillator
4, 5	TEST14, 2	I	Test pins (normally "L")
13 to 16, 19 to 22	D15 to D18	I/O	Data bus (MSB)
35 to 38, 41 to 44	AD7 to AD0	I/O	Data bus (LSB)/address inputs
25 to 32	A7 to A0	I	Address inputs
8	CS	I	Chip select signal input pin. LOW active
9	RD	I	Read signal input pin. LOW active
10	WR	I	Write signal input pin. LOW active
12	INTR	O	Interrupt request signal output pin
34	DREQ	O	DMA request output pin
33	DACK	I	DMA acknowledge signal input pin
23	ALE	I	Address latch enable signal input pin
24	ADSEL	I	Address input mode select input pin. "H": address/data multiplex
11	RESET	I	System reset signal input pin. LOW active.

INTERNAL REGISTERS

Addresses and Names of Registers

Addresses			Register		Page
A5:A0	Read A7, A6	Write A7, A6	Symbol	Register name	
00h	01b	—	EP0RXFIFO	Endpoint 0 Receive FIFO Data	7
01h	01b	—	EP1RXFIFO	Endpoint 1 Receive FIFO Data	7
02h	01b	—	EP2RXFIFO	Endpoint 2 Receive FIFO Data	8
03h	01b	—		Reserved	
00h	—	11b	EP0TXFIFO	Endpoint 0 Transmit FIFO Data	9
01h	—	11b	EP1TXFIFO	Endpoint 1 Transmit FIFO Data	9
02h	—	11b	EP2TXFIFO	Endpoint 2 Transmit FIFO Data	10
03h	—	11b	EP3TXFIFO	Endpoint 3 Transmit FIFO Data	10
00h	11b	01b	DVCADR	Device Address Register	11
01h	11b	01b	DVCSTAT	Device Status Register	11
02h	11b	—	PKTERR	Packet Error Register	13
03h	11b	—	FIFOSTAT1	FIFO Status Register 1	13
04h	11b	—	FIFOSTAT2	FIFO Status Register 2	14
08h	11b	01b	PKTRDY	Endpoint Packet-Ready Register	15
09h	11b	—	EP0RXCNT	Endpoint 0 Receive-Byte Count Register	19
0Ah	11b	—	EP1RXCNT	Endpoint 1 Receive-Byte Count Register	19
0Bh	11b	—	EP2RXCNT	Endpoint 2 Receive-Byte Count Register	20
0Ch	11b	—		Reserved	
0Dh	11b	—	REVISION	Revision Register	21
0Eh	—	01b	CLRFIFO	Transmit FIFO Clear Register	21
0Fh	—	01b	SYSCON	System Control Register	22
10h	11b	—	bmRequestType	bmRequestType Setup Register	23
11h	11b	—	bRequest	bRequest Setup Register	23
12h	11b	—	wValueLSB	wValueLSB Setup Register	24
13h	11b	—	wValueMSB	wValueMSB Setup Register	24
14h	11b	—	wIndexLSB	wIndexLSB Setup Register	24
15h	11b	—	wIndexMSB	wIndexMSB Setup Register	24
16h	11b	—	wLengthLSB	wLengthLSB Setup Register	25
17h	11b	—	wLengthMSB	wLengthMSB Setup Register	25
1Ah	11b	01b	POLSEL	Assertion Select Register	26
1Bh	11b	01b	INTENBL	Interrupt Enable Register	27
1Ch	11b	—	INTSTAT	Interrupt Status Register	28
1Dh	11b	01b	DMACON	DMA Control Register	30
1Eh	11b	01b	DMAINTVL	DMA Interval Register	31
1Fh	—	—		Reserved	

Addresses and Names of Registers (Continued)

Addresses			Symbol	Register name	Page
20h	11b	—	EP0RXCON	Endpoint 0 Receive Control Register	32
21h	11b	—	EP0RXTGL	Endpoint 0 Receive Data Toggle Register	32
22h	11b	01b	EP0RXPLD	Endpoint 0 Receive Payload Register	33
23h	—	—		Reserved	
24h	11b	01b	EP1CON	Endpoint 1 Control Register	34
25h	11b	01b	EP1TGL	Endpoint 1 Data Toggle Register	35
26h	11b	01b	EP1PLD	Endpoint 1 Payload Register	35
27h	—	—		Reserved	
28h	—	—		Reserved	
29h	—	—		Reserved	
2Ah	—	—		Reserved	
2Bh	—	—		Reserved	
2Ch	—	—		Reserved	
2Dh	—	—		Reserved	
2Eh	—	—		Reserved	
2Fh	—	—		Reserved	
30h	11b	—	EP0TXCON	Endpoint 0 Transmit Control Register	36
31h	11b	—	EP0TXTGL	Endpoint 0 Transmit Data Toggle Register	36
32h	11b	01b	EP0TXPLD	Endpoint 0 Transmit Payload Register	37
33h	11b	01b	EP0STAT	Endpoint 0 Status Register	38
34h	11b	01b	EP2CON	Endpoint 2 Control Register	40
35h	11b	01b	EP2TGL	Endpoint 2 Data Toggle Register	41
36h	11b	01b	EP2PLD	Endpoint 2 Payload Register	41
37h	—	—		Reserved	
38h	11b	01b	EP3CON	Endpoint 3 Control Register	42
39h	11b	01b	EP3TGL	Endpoint 3 Data Toggle Register	43
3Ah	11b	01b	EP3PLD	Endpoint 3 Payload Register	43
3Bh	—	—		Reserved	
3Ch	—	—		Reserved	
3Dh	—	—		Reserved	
3Eh	—	—		Reserved	
3Fh	—	—		Reserved	

FUNCTIONS OF REGISTERS

End Point 0 Receive FIFO (EP0RXFIFO)

Read address	40h
Write address	-

	D7	D6	D5	D4	D3	D2	D1	D0
After a hardware reset	x	x	x	x	x	x	x	x
After a bus reset	x	x	x	x	x	x	x	x
Definition	EP0 Receive data (R)							

The receive data from the host computer in the data state during a control Write transfer is stored in EP0RXFIFO. The EP0 receive data can be read out by the local MPU through reading the address 40h when the ML60851C issues an EP0 receive packet ready interrupt request. It is possible to read successively the data in the packet by reading continuously.

The EP2RXFIFO is cleared under the following conditions:

1. When the local MPU resets the EP0 receive packet ready bit (A "1" is written in PKTRDY(0)).
2. When a setup packet is received.
3. When the local MCU writes a "0" in the stall bit (EPOSTAT(2)).

End Point 1 Receive FIFO (EP1RXFIFO)

Read address	41h
Write address	—

	D7	D6	D5	D4	D3	D2	D1	D0
After a hardware reset	x	x	x	x	x	x	x	x
After a bus reset	x	x	x	x	x	x	x	x
Definition	EP1 Receive data (R)							

It is possible to read out the EP1 receive data by reading the address 41h. When EP1 is set for bulk reception (BULK OUT), The local MCU should read EP1RXFIFO when the ML60851C issues an EP2 packet ready interrupt request. It is possible to read successively the data in the packet by reading continuously. When the data transfer direction of EP1 is set as "Transmit", all accesses to this address will be invalid.

The EP1RXFIFO is cleared under the following conditions:

1. When an OUT token is received for EP1.
2. When the EP1 receive packet ready bit is reset. (A "1" is written in PKTRDY(1).)
3. When the local MCU writes a "0" in the stall bit (EP1CON(1)).

Even when a DMA read with a 16-bit width is made from EP1RXFIFO, the address is A7:A0 = 41h.

End Point 2 Receive FIFO (EP2RXFIFO)

Read address	42h
Write address	—

	D7	D6	D5	D4	D3	D2	D1	D0
After a hardware reset	x	x	x	x	x	x	x	x
After a bus reset	x	x	x	x	x	x	x	x
Definition	EP2 Receive data (R)							

It is possible to read out the EP2 receive data by reading the address 42h. When EP2 is set for bulk reception (Bulk OUT), the local MCU should read EP2RXFIFO when the ML60851C issues an EP2 packet ready interrupt request. It is possible to read successively the data in the packet by reading continuously. When the data transfer direction of EP2 is set as 'Transmit', all accesses to this address will be invalid.

The EP2RXFIFO is cleared under the following conditions:

1. When an OUT token is received for EP2.
2. When the EP2 receive packet ready bit is reset. (A "1" is written in PKTRDY(2).)
3. When the local MCU writes a "0" in the stall bit (EP2CON(1)).

End Point 0 Transmit FIFO (EP0TXFIFO)

Read address	—
Write address	C0h

	D7	D6	D5	D4	D3	D2	D1	D0
After a hardware reset	x	x	x	x	x	x	x	x
After a bus reset	x	x	x	x	x	x	x	x
Definition	EP0 Transmit data (W)							

The EP0 transmit data can be written in by writing to the address C0h. The receive data from the host in the data stage during a control read transfer is stored in EP0TXFIFO. When the ML60851C issues an EP0 transmit packet ready interrupt request, the local MCU writes the transmit data to the address C0h. It is possible to write the packet data successively by writing continuously.

The EP0 TXFIFO is cleared under the following conditions:

1. When an ACK is received from the host for the data transmission from EP0.
2. When a setup packet is received.

End Point 1 Transmit FIFO (EP1TXFIFO)

Read address	—
Write address	C1h

	D7	D6	D5	D4	D3	D2	D1	D0
After a hardware reset	x	x	x	x	x	x	x	x
After a bus reset	x	x	x	x	x	x	x	x
Definition	EP1 Transmit data (W)							

The EP1 transmit data can be written in by writing to the address C1h. When EP1 has been set for bulk transmission (BULK IN), The local MCU should write the transmit data in EP1TXFIFO when the ML60851C issues an EP1 packet ready interrupt request. It is possible to write the packet data successively by writing continuously. When the data transfer direction of EP1 is set as 'Receive', all accesses to this address will be invalid.

The EP1 transmit FIFO is cleared under the following conditions:

1. When an ACK is received from the host for the data transmission from EP1.
2. When the local MCU writes a "1" in the EP1FIFO clear bit (CLR_FIFO(1)).

Even when a DMA write with a 16-bit width is made in EP1TXFIFO, the address is A7:A0 = 41h.

End Point 2 Transmit FIFO (EP2TXFIFO)

Read address	—
Write address	C2h

	D7	D6	D5	D4	D3	D2	D1	D0
After a hardware reset	x	x	x	x	x	x	x	x
After a bus reset	x	x	x	x	x	x	x	x
Definition	EP2 Transmit data (W)							

The EP2 transmit data can be written in by writing to the address C2h. When EP2 has been set for bulk transmission (BULK IN), The local MCU should write the transmit data in EP1TXFIFO when the ML60851C issues an EP2 packet ready interrupt request. It is possible to write the packet data successively by writing continuously. When the data transfer direction of EP2 is set as “Receive”, all accesses to this address will be invalid.

The EP2 TXFIFO is cleared under the following conditions:

1. When an ACK is received from the host for the data transmission from EP2.
2. When the local MCU writes a “1” in the EP2FIFO clear bit (CLRFIFO(2)).

End Point 3 Transmit FIFO (EP3TXFIFO)

Read address	—
Write address	C3h

	D7	D6	D5	D4	D3	D2	D1	D0
After a hardware reset	x	x	x	x	x	x	x	x
After a bus reset	x	x	x	x	x	x	x	x
Definition	EP3 Transmit data (W)							

The EP3 transmit data can be written in by writing to the address C3h. Make the local MCU write the transmit data in EP3TXFIFO when the ML60851C issues an EP3 packet ready interrupt request. It is possible to write the packet data successively by writing continuously.

The EP3 TXFIFO is cleared under the following conditions:

1. When an ACK is received from the host for the data transmission from EP3.
2. When the local MCU writes a “1” in the EP3FIFO clear bit (CLRFIFO(3)).

Device Address Register (DVCADR)

Read address	C0h
Write address	40h

	D7	D6	D5	D4	D3	D2	D1	D0
After a hardware reset	0	0	0	0	0	0	0	0
After a bus reset	0	0	0	0	0	0	0	0
Definition	Device address (R/W)							

The local MCU writes in this register the device address given by the SET_ADDRESS command from the host. Thereafter, the ML60851C responds only to the token specifying this address among all the tokens from the host computer. The default value is the address D6:D0 = 00h.

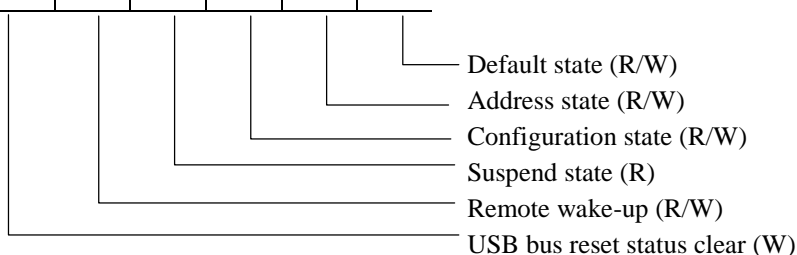
Note 1: It is possible to carry out addressing using a 7-bit address because up to 127 devices can be connected according to the USB standard.

Note 2: The bit D7 is fixed at "0", and even if a "1" is written in the bit D7, it will be invalid.

Device State Register (DVCSTAT)

Read address	C1h
Write address	41h

	D7	D6	D5	D4	D3	D2	D1	D0
After a hardware reset	0	0	0	0	0	0	0	1
After a bus reset	0	0	0	0	0	0	0	1
Definition	0	0						



This is a register for displaying the status of the device. The functions of the different bits are described below: The bits D7 and D6 are fixed at "0" and even if a "1" is written in these bits, the write operation will be invalid.

Default state:

This bit is asserted in the initial state. The default state is valid from the time the power is switched ON and the hardware resetting is complete. There is no need to write a "0" in this bit.

Address state:

When a SET_ADDRESS request arrives, the local MCU writes the device address in the device address register. If necessary, by writing a "1" in this bit also at that time, it is possible to give an indication that the ML60851C has entered the address state. Since the content of this bit does not affect the operation of the ML60851C, there is no need to write in this bit if it will not be read out.

Configuration state:

When the local MPU asserts the configuration bits EP1CON, EP2CON, or EP3CON in response to a SET_CONFIGURATION request from the host computer when this IC is in the address state, by writing a “1” in this bit also, if necessary, at that time, it is possible to give an indication that the ML60851C has entered the configuration state. Since the content of this bit does not affect the operation of the ML60851C, there is no need to write in this bit if it will not be read out.

Remarks:

When all these three states are “1”, it means that this IC is normally operating. However, since these bits do not affect the operation of the ML60851C, there is no need to write in these bits if they will not be read out.

Suspend state:

When the idle condition continues for more than 3ms in the USB bus, the ML60851C automatically asserts this bit thereby indicating that it is going into the suspend state. At the same time, bit D6 of the interrupt status register INTSTAT is asserted and the $\overline{\text{INTR}}$ pin is asserted. With this, the local MCU can suppress the current consumption.

This bit is deasserted when the EOP of any type of packet is received.

Remote wake-up:

The ML60851C is in the suspend state, the remote wake-up function is activated when the local MCU asserts this bit. When this bit is written while 5ms have not yet elapsed in the idle condition, the remote wake-up signal is output after waiting for the idle condition to continue for the full 5ms period. Further, when this bit is written after the idle condition has persisted for 5ms or more, the remote wake-up signal is output immediately after this bit is written. This bit is deasserted automatically when the suspend state is released by receiving the resume instruction over the USB bus.

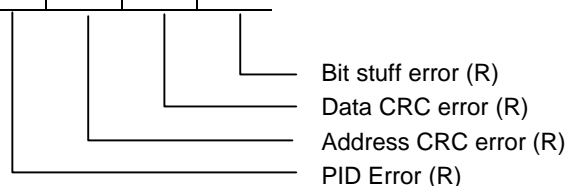
USB bus reset status clear:

When the ML60851C is in the USB bus reset interrupt state (bit D5 of the interrupt status register, that is the USB bus reset interrupt status bit is “1” and the $\overline{\text{INTR}}$ pin is asserted), it is possible to clear the interrupt status by writing a “1” in this bit. (This makes the USB bus reset interrupt status bit “0” and deasserts $\overline{\text{INTR}}$.) Although this bit can be read out, the read out value will always be “0”.

Packet Error Register (PKTERR)

Read address	C2h
Write address	—

	D7	D6	D5	D4	D3	D2	D1	D0
After a hardware reset	0	0	0	0	0	0	0	0
After a bus reset	0	0	0	0	0	0	0	0
Definition	0	0	0	0				

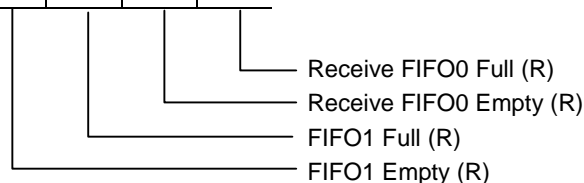


Each bit is asserted when the corresponding error occurs and is deasserted when SOP is received. This register is used to report the error information. This register is useful for the tests during development, or for preparing the error frequency measurement report. This register is not particularly required for the specification of commercial a product.

FIFO Status Register 1 (FIFOSTAT1)

Read address	C3h
Write address	—

	D7	D6	D5	D4	D3	D2	D1	D0
After a hardware reset	0	0	0	0	1	0	1	0
After a bus reset	0	0	0	0	1	0	1	0
Definition	0	0	0	0				



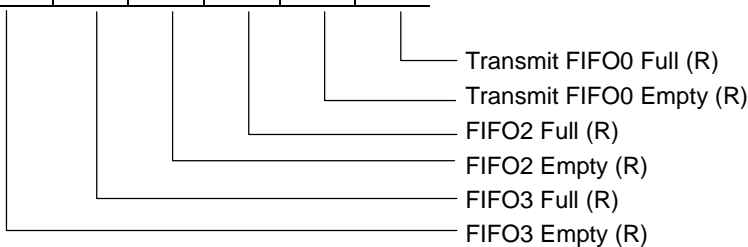
This register reports the statuses of the EP0RXFIFO and the FIFO for EP1. Normally, there is no need to read this register because it is sufficient to read the packet ready status before reading out or writing in a FIFO.

- Receive FIFO0 Full: This bit becomes “1” when 8-bytes of data are stored in the EP0RXFIFO. This bit is not set to “1” when a packet less than 8 bytes long (a short packet) is stored in.
- Receive FIFO0 Empty: This bit will be “1” when the EP0RXFIFO0 is empty.
- FIFO1 Full: This bit becomes “1” when 64 bytes of data is stored in the FIFO for EP1. This is true during both transmission and reception. This bit does not become “1” in the case of a short packet. The FIFO for EP1 has a two-layer structure and can store up to 128 bytes of data. This bit indicates the status of the FIFO in which data being written at that time. In other words, this bit indicates the status of the FIFO into which the host computer is writing data when EP1 is receiving data, and of the FIFO into which the local MCU is writing data when EP1 is transmitting data.
- FIFO1 Empty: This bit becomes “1” when the FIFO for EP1 is empty. This is true during both transmission and reception. The FIFO for EP1 has a two-layer structure and can store up to 128 bytes of data. This bit indicates the status of the FIFO which is being read out at that time.

FIFO0 Status Register 2 (FIFOSTAT2)

Read address	C4h
Write address	—

	D7	D6	D5	D4	D3	D2	D1	D0
After a hardware reset	0	0	1	0	1	0	1	0
After a bus reset	0	0	1	0	1	0	1	0
Definition	0	0						



This register reports the statuses of the EP0TXFIFO, the FIFO for EP2, and the FIFO for EP3. Normally, there is no need to read this register because it is sufficient to read the packet ready status before reading out or writing in a FIFO.

- Transmit FIFO0 Full:** This bit becomes “1” when 8-bytes of data is stored in the EP0TXFIFO. This bit is not set to “1” when a packet less than 8 bytes (a short packet) is written in.
- Transmit FIFO0 Empty:** This bit will be “1” when the EP0 transmit FIFO0 is empty.
- FIFO2 Full:** This bit becomes “1” when 64 bytes of data is either stored or written in the FIFO for EP2. This bit does not become “1” in the case of a short packet.
- FIFO2 Empty:** This bit becomes “1” when the FIFO of EP2 is empty.
- FIFO3 Full:** This bit becomes “1” when 64 bytes are written in the FIFO for EP3. This bit does not become “1” in the case of a short packet.
- FIFO3 Empty:** This bit becomes “1” when the FIFO for EP3 is empty.

End Point Packet Ready Register (PKTRDY)

This register indicates whether or not the preparations for reading out or writing in a packet data have been completed. In addition, this register is also used for controlling the handshake packet (ACK/NAK)

Read address	C8h
Write address	48h

	D7	D6	D5	D4	D3	D2	D1	D0
After a hardware reset	0	0	0	0	0	0	0	0
After a bus reset	0	0	0	0	0	0	0	0
Definition					0			



This is the register for indicating that the local MCU can request a read/write of the FIFO for each EP. The logical sums (AND) of each of these bits and the corresponding bits of INTENBL become the bits of INTSTAT.

The ML60851C asserts a receive packet ready bit (set to “0”) and generates an interrupt cause. The local MCU resets the receive packet ready bit after completion of the interrupt servicing (such as taking out data from the corresponding receive FIFO, etc.,).

The ML60851C deasserts a transmit packet ready bit and generates an interrupt cause. The local MCU sets the receive packet ready bit after completion of the interrupt servicing (such as writing data in the corresponding transmit FIFO, etc.,).

The bit D3 is fixed at “0”, and even if a “1” is written in this bit, that write operation will be invalid.

The operations of the different bits of PKTRDY are described in detail below.

EP0 Receive packet ready bit (D0)

This bit can be read by the local MCU. Further, this bit can be set to “0” by writing “1” to the D0 bit.

The conditions of asserting and deasserting this bit are the following.

Bit name	Asserting condition	Action when asserted
EP0 Receive packet ready (D0)	<ol style="list-style-type: none"> 1. When data is received in EP0 and storing of one packet of receive data in EP0RXFIFO is completed. 2. When a setup packet is received during a control Read or a control Write transfer. 	<p>EP0 is locked (that is, an NAK is returned automatically when a data packet is received from the host computer).</p> <p>(In the case of the asserting condition 1, the local MCU can read EP0RXFIFO.)</p>

Bit name	Deasserting condition	Action when deasserted
EP0 Receive packet ready (D0)	<ol style="list-style-type: none"> 1. When the local MCU resets (writes a “1” in) this bit. 2. When the local MCU resets the setup ready bit during a control Write transfer. 	Reception is possible in EP0.

R/Reset: Reading possible/ Reset when a “1” is written

R/Set: Reading possible/ Set when a “1” is written

EP1 Receive Packet Ready Bit (D1)

This bit can be read by the local MCU. Further, this bit can be set to “0” by writing “1” to the D1 bit. The conditions of asserting and deasserting this bit are the following. EP1 has a two-layer FIFO, and even the packet ready bits are present independently for layer A and layer B. The switching between these two layers is done automatically by the ML60851C.

Bit name	Asserting condition	Action when asserted
EP1 Receive packet ready (D1)	When an error-free packet is received in either layer A or layer B.	The local MCU can read the EP1RXFIFO. EP1 is locked when both layer A and layer B have received a packet data.
Bit name	Deasserting condition	Action when deasserted
EP1 Receive packet ready (D1)	When the local MCU resets (writes a “1”) in the bits of both layer A and layer B.	Reception is possible in EP1 when at least one of the bits of layer A and layer B has been reset.

See the explanation of the operation of the two-layer FIFO given in the Section on ‘Functional Description’.

EP2 Receive Packet Ready Bit (D2)

This bit can be read by the local MCU. Further, this bit can be set to “0” by writing “1” to the D2 bit. The conditions of asserting and deasserting this bit are the following.

Bit name	Asserting condition	Action when asserted
EP2 Receive packet ready (D2)	When an error-free packet is received.	EP2 is locked.
Bit name	Deasserting condition	Action when deasserted
EP2 Receive packet ready (D2)	When the local MCU resets (writes a “1”) in this bit.	Data reception is possible in EP2.

EP0 Transmit Packet Ready Bit (D4)

This bit can be read by the local MCU. Further, this bit can be set to “1” by writing “1” to the D4 bit. The conditions of asserting and deasserting this bit are the following.

Bit name	Asserting condition	Action when asserted
EP0 Transmit packet ready (D4)	When the local MCU sets this bit.	Data transmission is possible from EP0.
Bit name	Deasserting condition	Action when deasserted
EP0 Transmit packet ready (D4)	1. When an ACK is received from the host computer in response to the data transmission from EP0. 2. When a setup packet is received.	EP0 is locked. In other words, an NAK is returned automatically when an IN token is received from the host computer.

EP1 Transmit Packet Ready Bit (D5)

This bit can be read by the local MCU. Further, this bit can be set to “1” by writing “1” to the D5 bit. The conditions of asserting and deasserting this bit are the following. EP1 has a two-layer FIFO, and even the packet ready bits are present independently for layer A and layer B. The switching between these two layers is performed automatically by the ML60851C.

Bit name	Asserting condition	Action when asserted
EP1 Transmit packet ready (D5)	When the local MCU has set the bits of both layer A and layer B.	Data transmission is possible from EP1 when the bit for at least one of layer A and layer B has been asserted.
Bit name	Deasserting condition	Action when deasserted
EP1 Transmit packet ready (D5)	When an ACK is received from the host computer for the data transmission from either layer A or layer B.	EP1 is locked when both layer A and layer B have not prepared the transmit data.

See the explanation of the operation of the two-layer FIFO given in the Section on ‘Functional Description’.

EP2 Transmit Packet Ready Bit (D6)

This bit can be read by the local MCU. Further, this bit can be set to “1” by writing “1” to the D6 bit. The conditions of asserting and negating this bit are the following.

Bit name	Asserting condition	Action when asserted
EP2 Transmit packet ready (D6)	When the local MCU has set this bit.	Data transmission is possible from EP2.
Bit name	Deasserting condition	Action when deasserted
EP2 Transmit packet ready (D6)	When an ACK is received from the host computer in response to the data transmission from EP2.	EP2 is locked.

EP3 Transmit Packet Ready Bit (D7)

This bit can be read by the local MCU. Further, this bit can be set to “1” by writing “1” to the D7 bit. The conditions of asserting and deasserting this bit are the following.

Bit name	Asserting condition	Action when asserted
EP3 Transmit packet ready (D7)	When the local MCU has set this bit.	Data transmission is possible from EP3.
Bit name	Deasserting condition	Action when deasserted
EP2 Transmit packet ready (D7)	When an ACK is received from the host computer in response to the data transmission from EP3.	EP3 is locked.

End Point 0 Receive Byte Count Register (EP0RXCNT)

Read address	C9h
Write address	—

	D7	D6	D5	D4	D3	D2	D1	D0
After a hardware reset	0	0	0	0	0	0	0	0
After a bus reset	0	0	0	0	0	0	0	0
Definition	0	Byte count of EP0 (R)						

The ML60851C automatically counts the number of bytes in the packet being received by EP0 and stored it in this register. Although the counting is performed up to the maximum packet size entered in the payload register in the case of a full packet, the count will be less than this value in the case of a short packet. The local MCU refers to this value and reads the data of one packet from the EP0RXFIFO.

The EP0 receive byte count register is cleared under the following conditions:

1. When the local MCU resets the EP0 receive packet ready bit (by writing a “1” in PKTRDY(0)).
2. When a setup packet is received.
3. When the local MCU writes a “0” in the stall bit (EP0STAT(2)).

End Point 1 Receive Byte Count Register (EP1RXCNT)

Read address	CAh
Write address	—

	D7	D6	D5	D4	D3	D2	D1	D0
After a hardware reset	0	0	0	0	0	0	0	0
After a bus reset	0	0	0	0	0	0	0	0
Definition	0	Byte count of EP1 (R)						

The ML60851C automatically counts the number of bytes in the packet being received by EP1 and stored it in this register. Although the counting is performed up to the maximum packet size entered in the payload register in the case of a full packet, the count will be less than this value in the case of a short packet. The local MCU refers to this value and reads the data of one packet from the EP1 receive FIFO.

This register is invalid when the EP1 transfer direction is set as ‘Transmit’.

The EP1 receive byte count register is cleared under the following conditions:

1. When an OUT token is received for EP1.
2. When the EP1 receive packet ready bit is reset (by writing a “1” in PKTRDY(1)).
3. When the local MCU writes a “0” in the stall bit (EP1CON(1)).

End Point 2 Receive Byte Count Register (EP2RXCNT)

Read address	CBh
Write address	—

	D7	D6	D5	D4	D3	D2	D1	D0
After a hardware reset	0	0	0	0	0	0	0	0
After a bus reset	0	0	0	0	0	0	0	0
Definition	0	Byte Count of EP2 (R)						

The ML60851C automatically counts the number of bytes in the packet being received by EP2 and stored it in this register. Although the counting is performed up to the maximum packet size entered in the payload register in the case of a full packet, the count will be less than this value in the case of a short packet. The local MCU refers to this value and reads the data of one packet from the EP2RXFIFO.

This register is invalid when the EP2 transfer direction is set as 'Transmit'.

The EP2 receive byte count register is cleared under the following conditions:

1. When an OUT token is received for EP2.
2. When the EP2 receive packet ready bit is reset (by writing a "1" in PKTRDY(2)).
3. When the local MCU writes a "0" in the stall bit (EP2CON(1)).

Revision Register (REVISION)

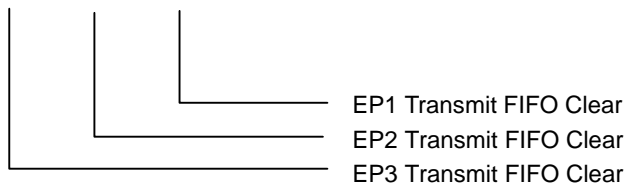
Read address	CDh
Write address	—

	D7	D6	D5	D4	D3	D2	D1	D0
After a hardware reset	Revision No. of Chip							
After a bus reset								
Definition								

Transmit FIFO Clear Register (CLR_FIFO)

Read address	—
Write address	4Eh

	D7	D6	D5	D4	D3	D2	D1	D0
After a hardware reset	Cannot be read (indeterminate)							
After a bus reset	Cannot be read (indeterminate)							
Definition	0	0	0					0

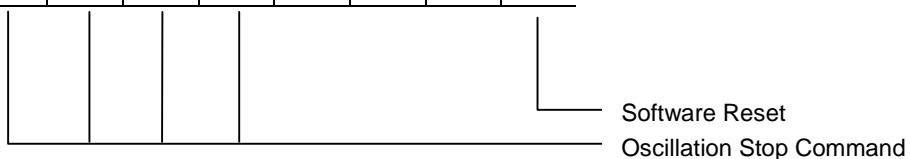


EP1 to EP3 FIFO Clear: When each EP has been set for transmission, by writing a “1” in these bits, the corresponding FIFOs are cleared at the Write pulse and also the corresponding EP Packet Ready bits are reset.

System Control Register (SYSCON)

Read address	—
Write address	4Fh

	D7	D6	D5	D4	D3	D2	D1	D0
After a hardware reset	Cannot be read (indeterminate)							
After a bus reset	Cannot be read (indeterminate)							
Definition					0	0	0	



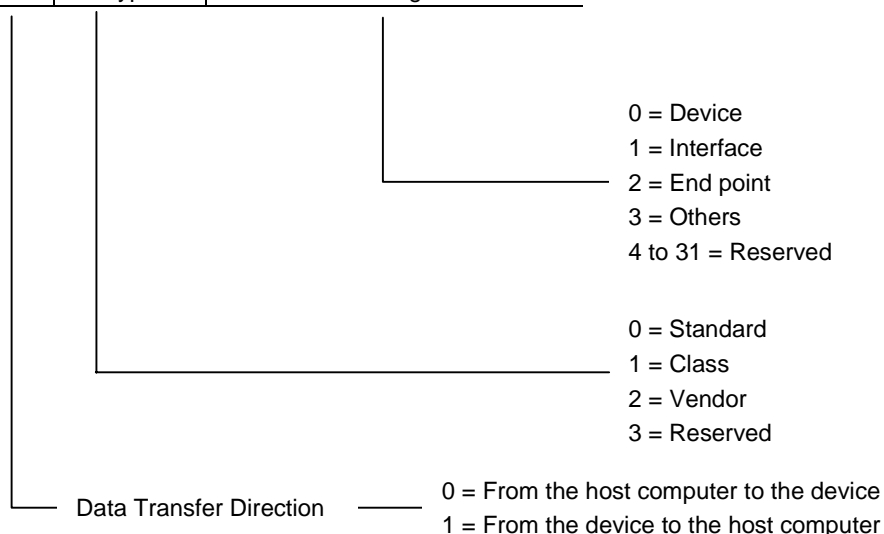
Software Reset: When a “1” is written in this bit, a system reset is executed at the Write pulse. This is functionally equivalent to a hardware reset.

Oscillation Stop command: The Oscillation circuit of the ML60851C stops and goes into the standby state when 1010b is written in D7 to D4 (that is, when A0h is written in this register). Once the IC goes into the standby state, to start communication with the USB bus thereafter, it is necessary to carry out again disconnecting, connecting, and enumeration. Even when the Oscillation has stopped, although it is possible to read on write the registers, it is impossible to read or write the FIFO. The oscillation can be started again by asserting the $\overline{\text{RESET}}$ pin. The oscillation can be restarted even by a software reset.

bmRequest Type Setup Register

Read address	D0h
Write address	—

	D7	D6	D5	D4	D3	D2	D1	D0
After a hardware reset	0	0	0	0	0	0	0	0
After a bus reset	0	0	0	0	0	0	0	0
Definition	Type			Receiving side				



The format of the device request conforms to Section 9.3 of the USB standards. The eight bytes of setup data sent by the host computer during the setup stage of control transfer are stored automatically in eight registers including this register.

bRequest Setup Register

Read address	D1h
Write address	—

	D7	D6	D5	D4	D3	D2	D1	D0
After a hardware reset	0	0	0	0	0	0	0	0
After a bus reset	0	0	0	0	0	0	0	0
Definition	Request Code							

The request code indicating the contents of the device request is stored automatically in this register during the setup stage of control transfer.

wValue LSB Setup Register

Read address	D2h
Write address	—

	D7	D6	D5	D4	D3	D2	D1	D0
After a hardware reset	0	0	0	0	0	0	0	0
After a bus reset	0	0	0	0	0	0	0	0
Definition	wValue LSB							

A parameter of device request is stored in this register during the setup stage of control transfer.

wValue MSB Setup Register

Read address	D3h
Write address	—

	D7	D6	D5	D4	D3	D2	D1	D0
After a hardware reset	0	0	0	0	0	0	0	0
After a bus reset	0	0	0	0	0	0	0	0
Definition	wValue MSB							

A parameter of device request is stored in this register during the setup stage of control transfer.

wIndex LSB Setup Register

Read address	D4h
Write address	—

	D7	D6	D5	D4	D3	D2	D1	D0
After a hardware reset	0	0	0	0	0	0	0	0
After a bus reset	0	0	0	0	0	0	0	0
Definition	wIndex LSB							

A parameter of device request is stored in this register during the setup stage of control transfer.

wIndex MSB Setup Register

Read address	D5h
Write address	—

	D7	D6	D5	D4	D3	D2	D1	D0
After a hardware reset	0	0	0	0	0	0	0	0
After a bus reset	0	0	0	0	0	0	0	0
Definition	wIndex MSB							

A parameter of device request is stored in this register during the setup stage of control transfer.

wLength LSB Setup Register

Read address	D6h
Write address	—

	D7	D6	D5	D4	D3	D2	D1	D0
After a hardware reset	0	0	0	0	0	0	0	0
After a bus reset	0	0	0	0	0	0	0	0
Definition	wLength LSB							

A parameter of device request is stored in this register during the setup stage of control transfer.

wLength MSB Setup Register

Read address	D7h
Write address	—

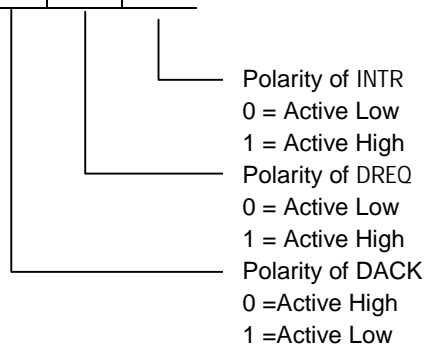
	D7	D6	D5	D4	D3	D2	D1	D0
After a hardware reset	0	0	0	0	0	0	0	0
After a bus reset	0	0	0	0	0	0	0	0
Definition	wLength MSB							

A parameter of device request is stored in this register during the setup stage of control transfer.

Polarity Selection Register (POLSEL)

Read address	DAh
Write address	5Ah

	D7	D6	D5	D4	D3	D2	D1	D0
After a hardware reset	0	0	0	0	0	0	0	0
After a bus reset	The previous value is retained							
Definition	0	0	0	0	0			

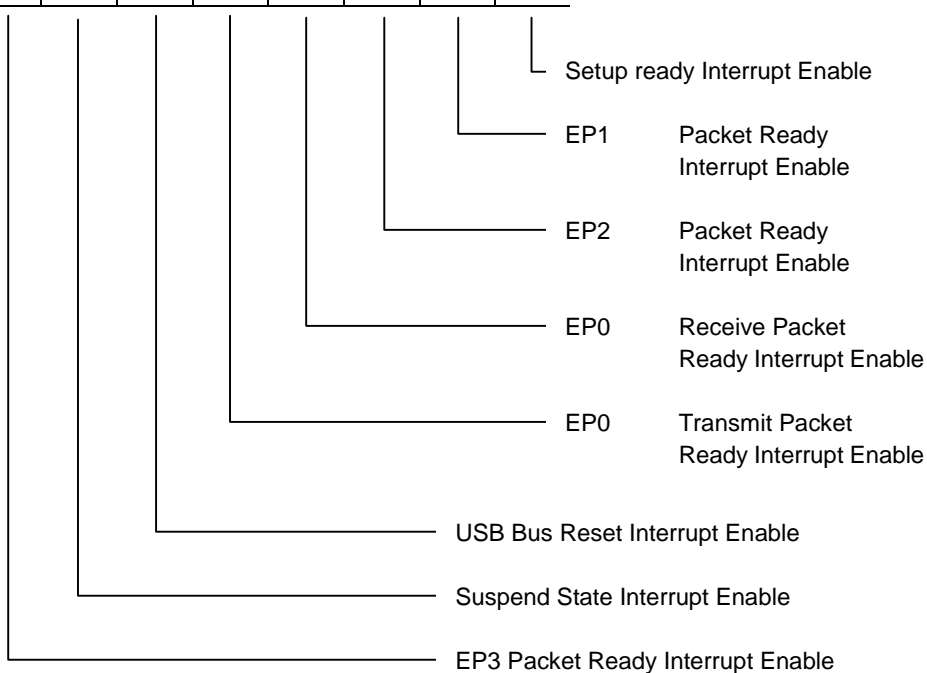


The local MCU can set the operating conditions of the ML60851C. The bits D7 to D3 are fixed at “0” and even if “1”s are written in them, they are ignored.

Interrupt Enable Register (INTENBL)

Read address	DBh
Write address	5Bh

	D7	D6	D5	D4	D3	D2	D1	D0
After a hardware reset	0	0	0	0	0	0	0	1
After a bus reset	The previous value is retained							
Definition								

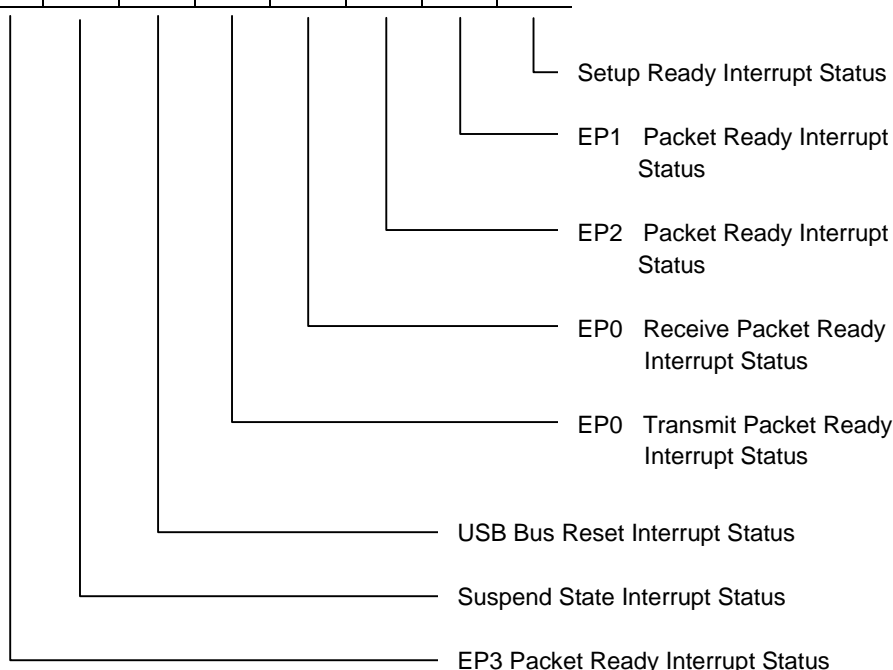


The interrupts that can be accepted are set in this register. It is possible to change the setting of interrupt enable or disable dynamically depending on the operating conditions. There is a correspondence between this register the interrupt status register described next in terms of the bit numbers and the corresponding interrupt factors.

Interrupt Status Register (INTSTAT)

Read address	DCh
Write address	—

	D7	D6	D5	D4	D3	D2	D1	D0
After a hardware reset	0	0	0	0	0	0	0	0
After a bus reset	See below	0	See below	See below	0	See below	0	0
Definition								



Setup Ready Interrupt Status: When bit D0 of the interrupt enable register (INTENBL) is “1”, the content of bit D0 of the EP0 status register (EPOSTAT) is copied here.

This bit is “0” when D0 of INTENBL is “0”. In other words, when the eight bytes of setup data are received in the setup stage of control transfer and are correctly stored in the setup registers, this bit is set to “1” and the $\overline{\text{INTR}}$ pin is asserted.

EP1 Packet Ready Interrupt Status: When bit D1 of the interrupt enable register (INTENBL) is “1”, the negation of the content of bit D1 or of bit D5 of the end point packet ready register (PKTRDY) is copied here. This bit is “0” when bit D1 of INTENBL is “0”. The value at the time of a bus reset is determined based on the value of INTENBL and the EP transfer direction at that time, and also based on the value of the packet ready bit for that EP.

(If the EP1 transfer direction has been set as “Receive”, the negation of D1 is stored here, and the negation of D5 is stored if the transfer direction has been set as “Transmit”.)

During data reception, the packet ready interrupt is generated when one packet of receive data is correctly stored in one of the two FIFO layers of EP1. During transmission, the packet ready interrupt is generated when data transmission has been completed from (and writing becomes possible again) one of the two FIFO layers of EP1.

EP2 Packet Ready Interrupt Status: When bit D2 of the interrupt enable register (INTENBL) is “1”, the negation of bit D2 or bit D6 of the end point packet ready register (PKTRDY) is copied here. This bit is “0” when bit D2 of INTENBL is “0”. The value at the time of a bus reset is determined based on the value of INTENBL and the EP transfer direction at that time, and also based on the value of the packet ready bit for that EP.

(If the EP2 transfer direction has been set as “Receive”, the negation of D2 is stored here, and the negation of D6 is stored if the transfer direction is has been set as “Transmit”.)

During data reception, the packet ready interrupt is generated when one packet of receive data is correctly stored in the FIFO of EP2. During transmission, the packet ready interrupt is generated when data transmission has been completed from (and writing becomes possible again) the FIFO of EP2.

EP0 Receive Packet Ready Interrupt Status: When bit D3 of the interrupt enable register (INTENBL) is “1”, the content of bit D0 of the end point packet ready register (PKTRDY) is copied here. This bit is “0” when bit D3 of INTENBL is “0”.

In other words, when one data packet is received in the data stage of control transfer and is correctly stored in the EP0RXFIFO, this bit is set to “1” and the $\overline{\text{INTR}}$ pin is asserted.

EP0 Transmit Packet Ready Interrupt Status: When bit D4 of the interrupt enable register (INTENBL) is “1”, the negation of the content of bit D4 of the end point packet ready register (PKTRDY) is copied here. This bit is “0” when bit D4 of INTENBL is “0”. The value at the time of a bus reset is determined based on the value of INTENBL and the EP transfer direction at that time, and also based on the value of the packet ready bit of that EP.

In other words, when the transmission from the EP0RXFIFO is completed (and writing is possible again in the FIFO) in the data stage of control transfer, this bit is set to “1” and the $\overline{\text{INTR}}$ pin is asserted.

USB Bus Reset Interrupt Status: When bit D5 of the interrupt enable register (INTENBL) is “1”, this bit becomes “1” during a bus reset. This bit is “0” when bit D5 of INTENBL is “0”. The value at the time of a bus reset is determined based on the value of INTENBL and the EP transfer direction at that time, and also based on the value of the packet ready bit of that EP.

Write a “1” in bit D5 of the device status register to return this bit to “0”.

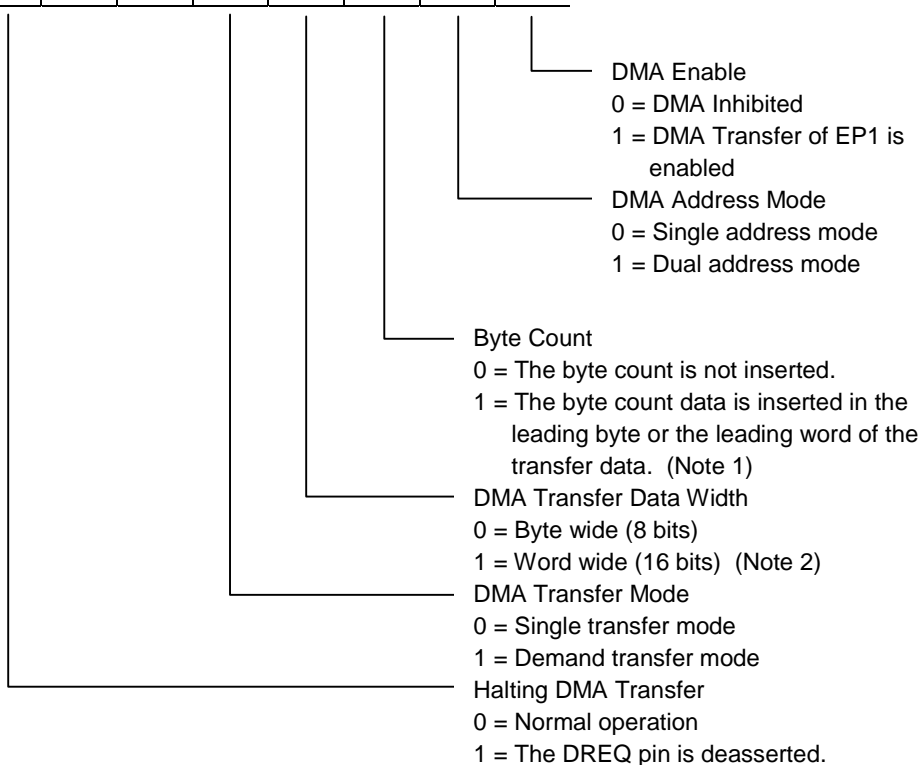
Suspend State Interrupt Status: When bit D6 of the interrupt enable register (INTENBL) is “1”, the content of bit D3 of the device state register (DVCSTAT) is copied here. This bit is “0” when bit D6 of INTENBL is “0”.

EP3 Packet Ready Interrupt Status: When bit D7 of the interrupt enable register (INTENBL) is “1”, the negation of bit D7 of the end point packet ready register (PKTRDY) is copied here. This bit is “0” when bit D7 of INTENBL is “0”. The value at the time of a bus reset will be determined based on the value of INTENBL and the EP transfer direction at that time, and also based on the value of the packet ready bit of that EP.

DMA Control Register (DMACON)

Read address	DDh
Write address	5Dh

	D7	D6	D5	D4	D3	D2	D1	D0
After a hardware reset	0	0	0	0	0	0	0	0
After a bus reset	The previous value is retained							
Definition		0	0					



Note 1: In the 16-bit mode, the upper byte of the leading word is 00h.

Note 2: The allocation is made in the little-endian sequence of the upper byte followed by the LSB. In other words, the lower byte corresponds to AD0 to AD7 and the MSB corresponds to D8 to D15. In the 16-bit mode, when the packet size is an odd number of bytes, the upper byte of the last word is 00h.

Note 3: Make sure that all bits other than D7, that is, bits D4 to D0, are set completely during initialization (at the latest, before the token packet for EP1 arrives) and are not modified thereafter. When wanting to temporarily halt the DMA transfer in the middle, write a "1" in D7. When the transfer is restarted by writing a "0" in D7, it is possible to restart the transfer from the byte (or word) next to the one at the time the transfer was halted.

Note 4: The bits D6 and D5 are fixed at "0". Even if a "1" is written in them, it will be invalid.

DMA Interval Register (DMAINTVL)

Read address	DEh
Write address	5Eh

	D7	D6	D5	D4	D3	D2	D1	D0
After a hardware reset	0	0	0	0	0	0	0	0
After a bus reset	The previous value is retained							
Definition	Interval time							

This register is used for specifying the interval of the single DMA transfer mode, that is, the interval from the completion of the previous byte (or word) DMA transfer until DREQ is asserted again. The time per bit is 84ns (12MHz, one period).

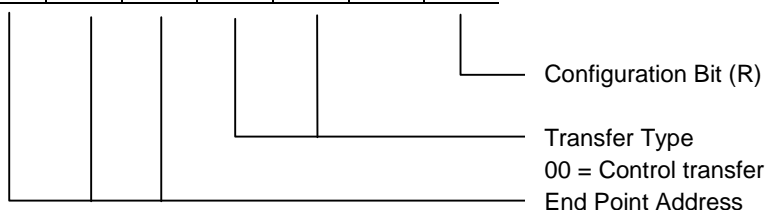
Interval time = (DREQ enable time) + 84 x n (ns)

See DMA timings (1), (2), (5), and (6) for details of the DREQ enable time.

End Point 0 Receive Control Register (EP0RXCON)

Read address	E0h
Write address	—

	D7	D6	D5	D4	D3	D2	D1	D0
After a hardware reset	0	0	0	0	0	0	0	0
After a bus reset	0	0	0	0	0	0	0	1
Definition	0	0	0	0	0	0	0	



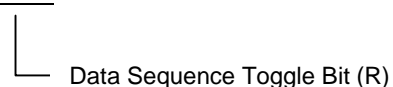
Configuration Bit: The configuration bit of EP0 becomes “1” at the time of an USB bus reset. The packets sent by the host computer to EP0 are received when this bit is “1”. This IC does not respond to any transactions with this EP when this bit is “0”.

The transfer mode of EP0 is a control transfer and the end point address is fixed at 0h. Therefore, the values of D6 to D2 are fixed and other values written in them are invalid.

End Point 0 Receive Data Toggle Register (EP0RXDGL)

Read address	E1h
Write address	—

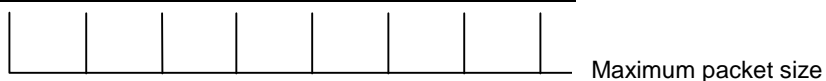
	D7	D6	D5	D4	D3	D2	D1	D0
After a hardware reset	0	0	0	0	0	0	0	x
After a bus reset	0	0	0	0	0	0	0	x
Definition	0	0	0	0	0	0	0	



End Point 0 Receive Payload Register (EP0RXPLD)

Read address	E2h
Write address	62h

	D7	D6	D5	D4	D3	D2	D1	D0
After a hardware reset	0	0	0	0	1	0	0	0
After a bus reset	0	0	0	0	1	0	0	0
Definition	0	0	0	0	1	0	0	0



Maximum packet size: Since the FIFO capacity for EP0 in the ML60851C is 8 bytes, write 08h in the bMaxPacketSize0 byte of the device descriptor. The maximum packet size is fixed at 8 bytes in this register EP0RXPLD.

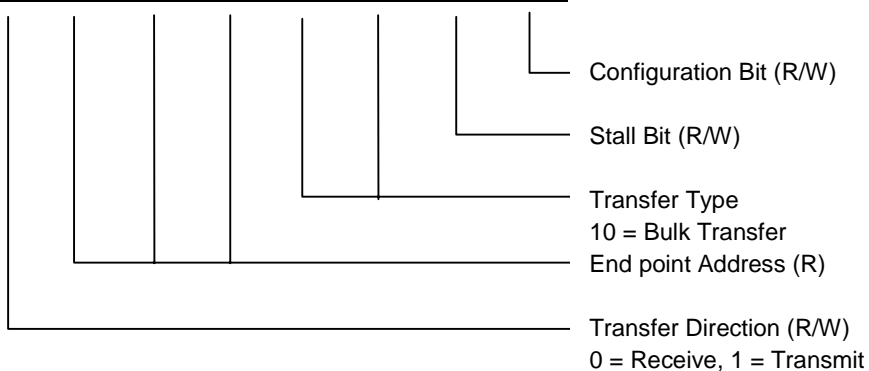
When a packet longer than 8 bytes is received, the stall bit of the EP0 status register is asserted and the stall status is returned to the host computer.

The content of this register is fixed at 08h. This value will not change even if any other value is written in this register.

End Point 1 control Register (EP1CON)

Read address	E4h
Write address	64h

	D7	D6	D5	D4	D3	D2	D1	D0
After a hardware reset	0	0	0	1	1	0	x	0
After a bus reset	0	0	0	1	1	0	x	0
Definition		0	0	1	1	0		



Configuration Bit: The local MCU should write “1” in this bit during the status stage of control transfer when a “Set Configuration” request is received from the host computer to make EP1 active. When this bit is “1”, the exchange of data between the host computer and EP1 is enabled. When this bit is “0”, this IC does not respond to any transactions with this EP.

Stall Bit: When a data packet is received with a number of bytes more than the maximum packet size set in the EP1 payload register, the ML60851C automatically sets this bit to “1”. It is also possible for the local MCU to write a “1” in this bit. When this bit is “1”, the stall handshake is automatically returned to the host computer in response to the packet transmitted by the host computer to the end point. In addition, the packet ready status is not asserted and even the INTR pin is not asserted.

The EP1 transfer mode is set as a bulk transfer and the end point address is 1h. Therefore, the bits D6 to D2 have fixed values, and other values written in them are ignored.

End Point 1 Data Toggle Register (EP1TGL)

Read address	E5h
Write address	65h

	D7	D6	D5	D4	D3	D2	D1	D0
After a hardware reset	0	0	0	0	0	0	0	0
After a bus reset	0	0	0	0	0	0	0	0
Definition	0	0	0	0	0	0	0	

└─ Data Sequence Toggle Bit
(R/Reset)

Data Sequence Toggle Bit: When initializing an EP, write a “1” in this bit to reset the toggle bit of the data packet and specify PID of DATA0 (this bit also becomes “0”). Thereafter, the synchronous operation is made automatically based on the data sequence toggling mechanism.

The values of bits D7 to D1 are fixed at “0” and even if a “1” is written in these bits, it will be invalid.

End Point 1 Payload Register (EP1PLD)

Read address	E6h
Write address	66h

	D7	D6	D5	D4	D3	D2	D1	D0
After a hardware reset	0	x	x	x	x	x	x	x
After a bus reset	0	x	x	x	x	x	x	x
Definition	0	Maximum packet size (R/W)						

Maximum Packet Size: The value of wMaxPacketSize of the end point descriptor selected by the Set_Configuration request from the host computer should be written in this register by the local MCU. The packet size of packets other than short packets is specified in units of a byte. The value can be one of 40h (64 bytes), 20h (32 bytes), 10h (16 bytes), and 08h (8 bytes).

During data reception by EP1, if a packet with more number of bytes than that specified here is received, the receive packet ready bit is not asserted, and the stall bit is set during EOP and the stall handshake is returned to the host computer.

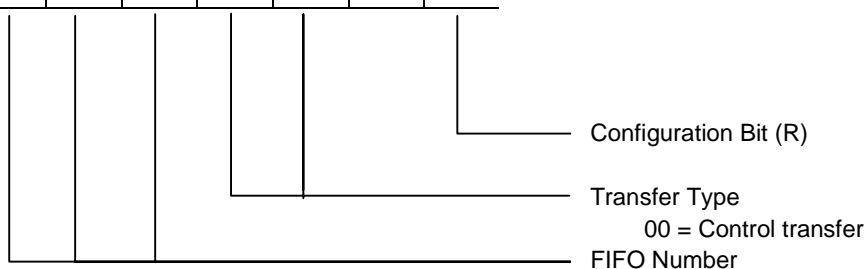
On the other hand, when EP1 is being used for transmission, the transmit packet ready bit is set automatically when the writing of data of the number of bytes set in this register (maximum packet size) by the DMA controller is completed.

Bit D7 is fixed at “0”, and even if a “1” is written, it will be ignored.

End Point 0 Transmit Control Register (EP0TXCON)

Read address	F0h
Write address	—

	D7	D6	D5	D4	D3	D2	D1	D0
After a hardware reset	0	1	0	0	0	0	0	0
After a bus reset	0	1	0	0	0	0	0	1
Definition	0	1	0	0	0	0	0	



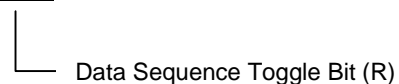
Configuration Bit: The configuration bit of EP0 becomes “1” during an USB bus reset (both D+ and D- being “0” for more than 2.5μs). Packets can be sent from this end point to the host computer when this bit is “1”. This IC does not respond to any transactions with this EP when this bit is “0”.

The transfer mode of EP0 is a control transfer and the end point address is fixed at 0h. Therefore, the values of D6 to D2 are fixed and other values written in them are invalid.

End Point 0 Transmit Data Toggle Register (EP0TXTGL)

Read address	F1h
Write address	—

	D7	D6	D5	D4	D3	D2	D1	D0
After a hardware reset	0	0	0	0	0	0	0	x
After a bus reset	0	0	0	0	0	0	0	x
Definition	0	0	0	0	0	0	0	



The synchronization based on the data sequence toggling mechanism is carried out automatically by the ML60851C.

End Point 0 Transmit Payload Register (EP0TXPLD)

Read address	F2h
Write address	72h

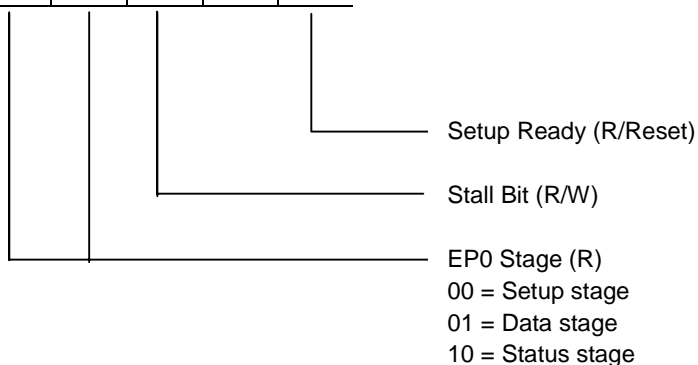
	D7	D6	D5	D4	D3	D2	D1	D0
After a hardware reset	0	x	x	x	x	x	x	x
After a bus reset	0	x	x	x	x	x	x	x
Definition	0	Maximum Packet Size (R/W)						

Maximum packet size: This is a register that has no relationship with the operation of the ML60851C, and can be used as a general purpose register. Bit D7 is fixed at "0".

End Point 0 Status Register (EP0STAT)

Read address	F3h
Write address	73h

	D7	D6	D5	D4	D3	D2	D1	D0
After a hardware reset	0	0	0	0	0	x	0	0
After a bus reset	0	0	0	0	0	x	0	0
Definition	0	0	0				0	



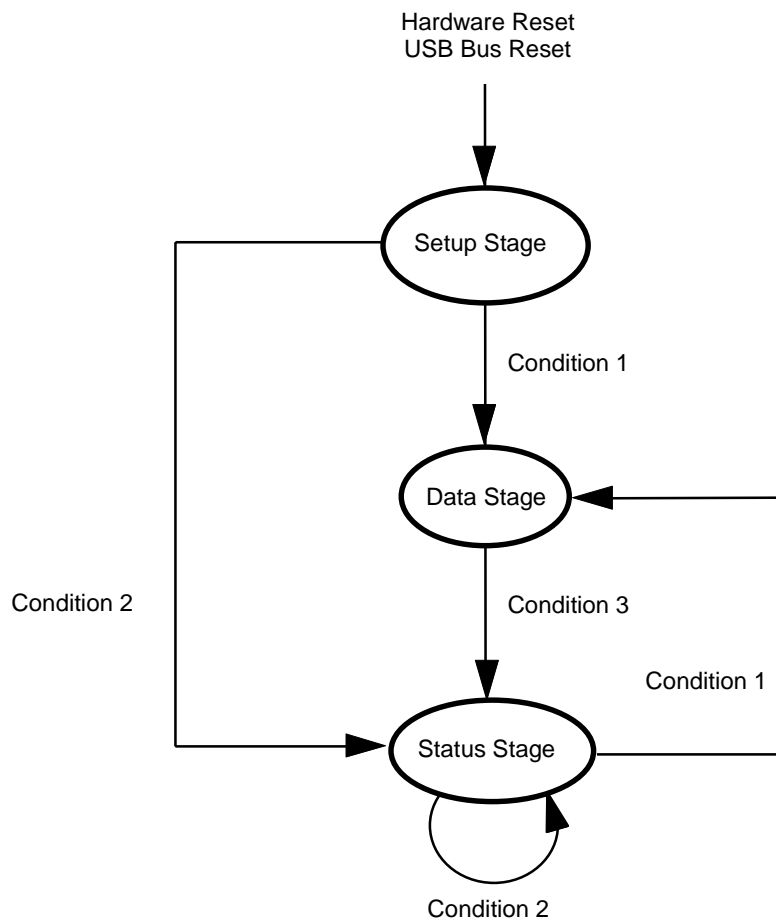
Setup Ready: This bit is set automatically when a proper setup packet arrives in the 8-byte setup register, and the EP0RXFIFO is locked. If D0 of INTENBL has been asserted, the \overline{INTR} pin is also asserted automatically when this bit is set. The local MCU should write a “1” in this bit after the reading out the 8-byte setup data. When this is performed, the setup ready bit is reset and the \overline{INTR} pin also is deasserted. During a control write, even the packet ready bit of EP0 is reset simultaneously, the lock condition is released, and it becomes possible to receive packets by EP0 during the data stage.

The register value will not change even if a “0” is written in this bit.

Stall bit: During EP0 reception (in the data stage of a control write transfer), the ML60851C automatically sets this bit to “1” when a packet with a number bytes more than the maximum packet size written in EP0RXPLD is received (or when EOP is missing).

Bits D7 to D5 and D1 are fixed at “0”, and other values written in them are invalid.

EP0 Stage: Indicates the stage transition during a control transfer. The transition conditions between the different stages are shown in the following stage transition diagram.



Condition 1: Reception of a setup packet of control READ transfer or control WRITE transfer.

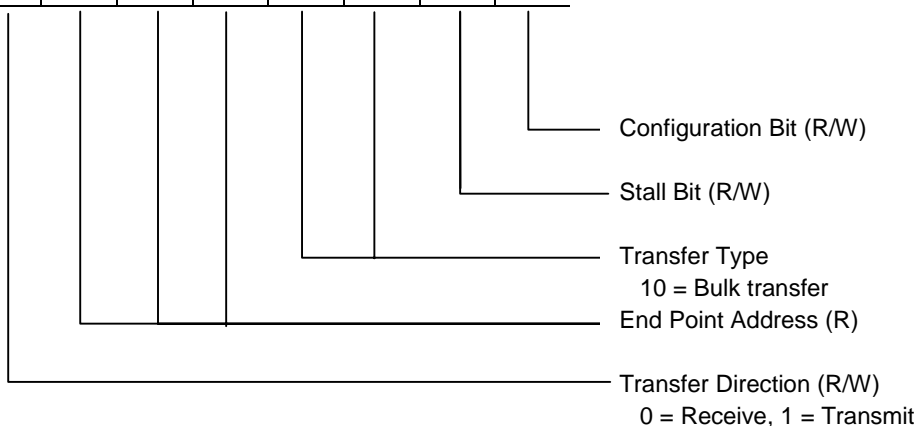
Condition 2: Reception of a setup packet of control transfer without data.

Condition 3: Reception of a token (IN/OUT) of a direction opposite to the data flow in the data stage.

End Point 2 Control Register (EP2CON)

Read address	F4h
Write address	74

	D7	D6	D5	D4	D3	D2	D1	D0
After a hardware reset	0	0	1	0	1	0	X	0
After a bus reset	0	0	1	0	1	0	X	0
Definition		0	1	0	1	0		



Configuration Bit: The local MCU should write a “1” in this bit during the status stage of control transfer when a “Set Configuration” request is received from the host computer to make EP2 active. When this bit is “1”, the exchange of data between the host computer and EP2 is enabled. When this bit is “0”, this IC does not respond to any transactions with this EP.

Stall Bit: During EP2 reception, when a data packet is received with a number of bytes more than the maximum packet size set in the pay load register EP2PLD, the ML60851C automatically sets this bit to “1”. It is also possible for the local MCU to write a “1” in this bit. When this bit is “1”, the stall handshake is automatically returned to the host computer in response to the packet transmitted by the host computer to the end point. In addition, the packet ready status is not asserted and the $\overline{\text{INTR}}$ pin is not asserted.

The EP2 transfer mode is set as a bulk transfer and the end point address is 2h. Therefore, the bits D6 to D2 have fixed values, and other values written in them are ignored.

End Point 2 Data Toggle Register (EP2TGL)

Read address	F5h
Write address	75h

	D7	D6	D5	D4	D3	D2	D1	D0
After a hardware reset	0	0	0	0	0	0	0	0
After a bus reset	0	0	0	0	0	0	0	0
Definition	0	0	0	0	0	0	0	

└─ Data Sequence Toggle Bit (R/Reset)

Data Sequence Toggle Bit: When initializing an EP after receiving a setup packet, write a “1” in this bit to reset the toggle bit of the data packet and specify PID of DATA0 (this bit also becomes “0”). Thereafter, the synchronous operation is made automatically based on the data sequence toggling mechanism.

The values of bits D7 to D1 are fixed at “0” and even if a “1” is written in these bits, it will be invalid.

End Point 2 Payload Register (EP2PLD)

Read address	F6h
Write address	76h

	D7	D6	D5	D4	D3	D2	D1	D0
After a hardware reset	0	x	x	x	x	x	x	x
After a bus reset	0	x	x	x	x	x	x	x
Definition	0	Maximum packet size (R/W)						

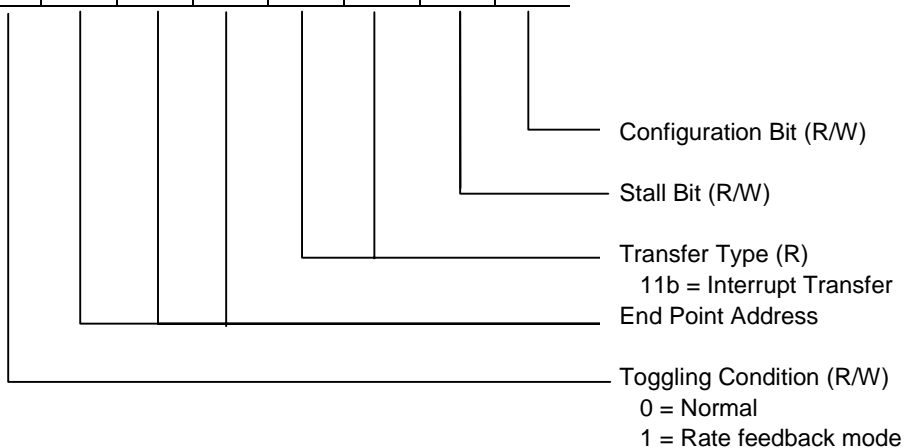
Maximum Packet Size: The value of wMaxPacketSize of the end point descriptor selected by the Set_Configuration request from the host computer should be written in this register by the local MCU. The packet size of packets other than short packets is specified in units of a byte. The value can be one of 40h (64 bytes), 20h (32 bytes), 10h (16 bytes), and 08h (8 bytes). This register is used for EP2 reception. During data reception by EP2, if a packet with more number of bytes than that specified here is received, the receive packet ready bit is not asserted, and the stall bit is set during EOP and the stall handshake is returned to the host computer.

Bit D7 is fixed at “0”, and even if a “1” is written, it will be invalid.

End Point 3 Control Register (EP3CON)

Read address	F8h
Write address	78h

	D7	D6	D5	D4	D3	D2	D1	D0
After a hardware reset	0	0	1	1	1	1	x	0
After a bus reset	0	0	1	1	1	1	x	0
Definition		0	1	1	1	1		



Configuration Bit: The local MCU should write a “1” in this bit during the status stage of control transfer when a “Set Configuration” request is received from the host computer to make EP3 active.

When this bit is “1”, the exchange of data between the host computer and EP3 is enabled. When this bit is “0”, this IC does not respond to any transactions with this EP.

Stall Bit: When this bit is “1”, the stall handshake is automatically returned to the host computer in response to the packet transmitted to the host computer from this end point.

The EP3 transfer mode is set as an interrupt transfer and the end point address is fixed at 3h. Therefore, the bits D6 to D2 have fixed values, and other values written in them are invalid.

Toggling Condition Bit: When this bit is “0”, toggling is performed between DATA0 and DATA1 every time an ACK is sent from the host computer to EP3.

If this bit is set to “1”, the rate feedback mode will be set. In this case, the toggling is performed every time the packet ready bit is asserted.

End Point 3 Data Toggle Register (EP3TGL)

Read address	F9h
Write address	79h

	D7	D6	D5	D4	D3	D2	D1	D0
After a hardware reset	0	0	0	0	0	0	0	0
After a bus reset	0	0	0	0	0	0	0	0
Definition	0	0	0	0	0	0	0	

└─ Data Sequence Toggle Bit (R/Reset)

Data Sequence Toggle Bit: When initializing an EP, write a “1” in this bit to reset the toggle bit of the data packet and specify PID of DATA0 (this bit also becomes “0”).

The values of bits D7 to D1 are fixed at “0” and even if a “1” is written in these bits, it will be invalid.

End Point 3 Payload Register (EP3PLD)

Read address	FAh
Write address	7Ah

	D7	D6	D5	D4	D3	D2	D1	D0
After a hardware reset	0	x	x	x	x	x	x	x
After a bus reset	0	x	x	x	x	x	x	x
Definition	0	7-Bit general purpose register						

This register can be used for any purpose. It is possible to retain or refer to the value written in this register without affecting the other operations of the ML60851C. The initial values of bits other than D7 are indeterminate. Bit D7 is fixed at “0” and even if a “1” is written in this bit, it will be invalid.

ABSOLUTE MAXIMUM RATINGS

Parameter	Symbol	Condition	Rating	Unit
Power Supply 3	V _{CC3}	—	-0.3 to +4.6	V
Power Supply 5	V _{CC5}	—	-0.5 to +6.5	V
Input Voltage	V _I	—	-0.3 to V _{CC5} + 0.3	V
Storage Temperature	T _{STG}	—	-55 to +150	°C

RECOMMENDED OPERATING CONDITIONS

Parameter	Symbol	Condition	Range	Unit
Power Supply 3	V _{CC3}	—	3.0 to 3.6	V
Power Supply 5	V _{CC5}	—	3.0 to 5.5	V
Operating Temperature	T _a	—	0 to 70	°C
Oscillation Frequency	F _{OSC}	—	48	MHz

ELECTRICAL CHARACTERISTICS

DC Characteristics (1)

(V_{CC5} = V_{CC3} = 3.0 to 3.6 V, T_j = 0 to 85°C)

Parameter	Symbol	Condition	Min.	Typ.	Max.	Unit	Applicable pin
High-level Input Voltage	V _{IH}	—	2.0	—	V _{CC5} + 0.3	V	Note 1
Low-level Input Voltage	V _{IL}	—	-0.3	—	+0.8	V	
High-level Input Voltage	V _{IH}	—	V _{CC3} × 0.8	—	V _{CC3} + 0.3	V	XIN
Low-level Input Voltage	V _{IL}	—	-0.3	—	V _{CC3} × 0.2	V	
Schmitt Trigger Input Voltage	V _{t+}	—	—	1.6	2.0	V	$\overline{\text{RESET}}$
	V _{t-}	—	0.8	1.2	—	V	
	ΔV _t	(V _{t+}) - (V _{t-})	0.1	0.4	—	V	
High-level Output Voltage	V _{OH}	I _{OH} = -100 μA	V _{CC5} - 0.2	—	—	V	D15:D8 AD7:AD0 $\overline{\text{INTR}}$, $\overline{\text{DREQ}}$
		I _{OH} = -4 mA	2.4	—	—	V	
Low-level Output Voltage	V _{OL}	I _{OL} = 100 μA	—	—	0.2	V	
		I _{OL} = 4 mA	—	—	0.4	V	
High-level Input Current	I _{IH}	V _{IH} = V _{CC5}	—	0.01	1	μA	Note 2
Low-level Input Current	I _{IL}	V _{IL} = 0 V	-1	-0.01	—	μA	
3-state Output Leakage Current	I _{OZH}	V _{OH} = V _{CC5}	—	0.01	1	μA	D15:D8 AD7:AD0
	I _{OZL}	V _{OL} = 0 V	-1	-0.01	—	μA	
Power Supply Current (Operating)	I _{CC}	Note 3	—	—	55	mA	V _{CC3} , V _{CC5}
Power Supply Current (Standby)	I _{CCS}	Note 4	—	—	100	μA	V _{CC3} , V _{CC5}

Notes: 1. Applied to D15:D8, AD7:AD0, A7:A0, $\overline{\text{CS}}$, $\overline{\text{RD}}$, $\overline{\text{WR}}$, DACK, ALE, and ADSEL.2. Applied to XIN, A7:A0, $\overline{\text{CS}}$, $\overline{\text{RD}}$, $\overline{\text{WR}}$, DACK, ALE, and ADSEL.3. Total currents when V_{CC3} and V_{CC5} are connected.4. Total currents when V_{CC3} and V_{CC5} are connected.

The XIN pin is fixed at a high level or a low level in the suspend state.

All the output pins are open.

DC Characteristics (2)(V_{CC5} = 4.5 to 5.5 V, V_{CC3} = 3.0 to 3.6 V, T_j = 0 to 85°C)

Parameter	Symbol	Condition	Min.	Typ.	Max.	Unit	Applicable pin
High-level Input Voltage	V _{IH}	—	2.2	—	V _{CC5} + 0.5	V	Note 1
Low-level Input Voltage	V _{IL}	—	-0.5	—	+0.8	V	
Schmitt Trigger Input Voltage	V _{t+}	—	—	1.7	2.2	V	$\overline{\text{RESET}}$
	V _{t-}	—	0.8	1.4	—	V	
	ΔV_t	(V _{t+}) - (V _{t-})	0.2	0.3	—	V	
High-level Output Voltage	V _{OH}	I _{OH} = -100 μ A	V _{CC5} - 0.2	—	—	V	D15:D8 AD7:AD0 $\overline{\text{INTR}}$, $\overline{\text{DREQ}}$
		I _{OH} = -8 mA	3.7	—	—	V	
Low-level Output Voltage	V _{OL}	I _{OL} = 100 μ A	—	—	0.2	V	
		I _{OL} = 8 mA	—	—	0.4	V	
High-level Input Current	I _{IH}	V _{IH} = V _{CC5}	—	0.01	10	μ A	Note 2
Low-level Input Current	I _{IL}	V _{IL} = 0 V	-10	-0.01	—	μ A	
3-state Output Leakage Current	I _{OZH}	V _{OH} = V _{CC5}	—	0.01	10	μ A	D15:D8
	I _{OZL}	V _{OL} = 0 V	-10	-0.01	—	μ A	AD7:AD0
Power Supply Current (Operating)	I _{CC3}	—	—	—	50	mA	V _{CC3}
	I _{CC5}	—	—	—	5	mA	V _{CC5}
Power Supply Current (Standby)	I _{CCS3}	Note 3	—	—	50	μ A	V _{CC3}
	I _{CCS5}	Note 3	—	—	50	μ A	V _{CC5}

- Notes: 1. Applied to D15:D8, AD7:AD0, A7:A0, $\overline{\text{CS}}$, $\overline{\text{RD}}$, $\overline{\text{WR}}$, DACK, ALE, and ADSEL. The DC characteristics (1) applies to XIN.
2. Applied to A7:A0, $\overline{\text{CS}}$, $\overline{\text{RD}}$, $\overline{\text{WR}}$, DACK, ALE, and ADSEL. The DC characteristics (1) applies to XIN.
3. The XIN pin is fixed at a high level or a low level in the suspend state. All the output pins are open.

DC Characteristics (3) USB Port(V_{CC3} = 3.0 to 3.6 V, T_a = 0 to 70°C)

Parameter	Symbol	Condition	Min.	Typ.	Max.	Unit	Applicable pin
Differential Input Sensitivity	V _{DI}	(D+) – (D–)	0.2		—	V	D+, D–
Differential Common Mode Range	V _{CM}	Includes V _{DI} range	0.8		2.5	V	
Single Ended Receiver Threshold	V _{SE}		0.8		2.0	V	
High-level Output Voltage	V _{OH}	RL of 15 kΩ to GND	2.8		3.6	V	
Low-level Output Voltage	V _{OL}	RL of 1.5 kΩ to 3.6 V	—		0.3	V	
Output Leakage Current	I _{LO}	0 V < V _{IN} < 3.3 V	–10		+10	μA	

AC Characteristics USB Port(V_{CC3} = 3.0 to 3.6 V, V_{SS} = 0 V, T_a = 0 to 70°C)

Parameter	Symbol	Condition (Notes 1. and 2.)	Min.	Typ.	Max.	Unit	Applicable pin
Rise Time	t _R	CL = 50 pF	4		20	ns	D+, D–
Fall Time	t _F	CL = 50 pF	4		20	ns	
Rise/Fall Time Matching	t _{RFM}	(t _R /t _F)	90		111.11	%	
Output Signal Crossover Voltage	V _{CRS}		1.3		2	V	
Driver Output Resistance	Z _{DRV}	Steady State Driver (Note 3)	28		44	Ω	
Data Rate	t _{DRATE}	Ave. Bit Rate (12 Mbps ±0.25%)	11.97		12.03	Mbps	

Notes: 1. 1.5 kΩ pull-up to 3.3 V on the D+ data line.

2. t_R and t_F are measured from 10% to 90% of the data signal.

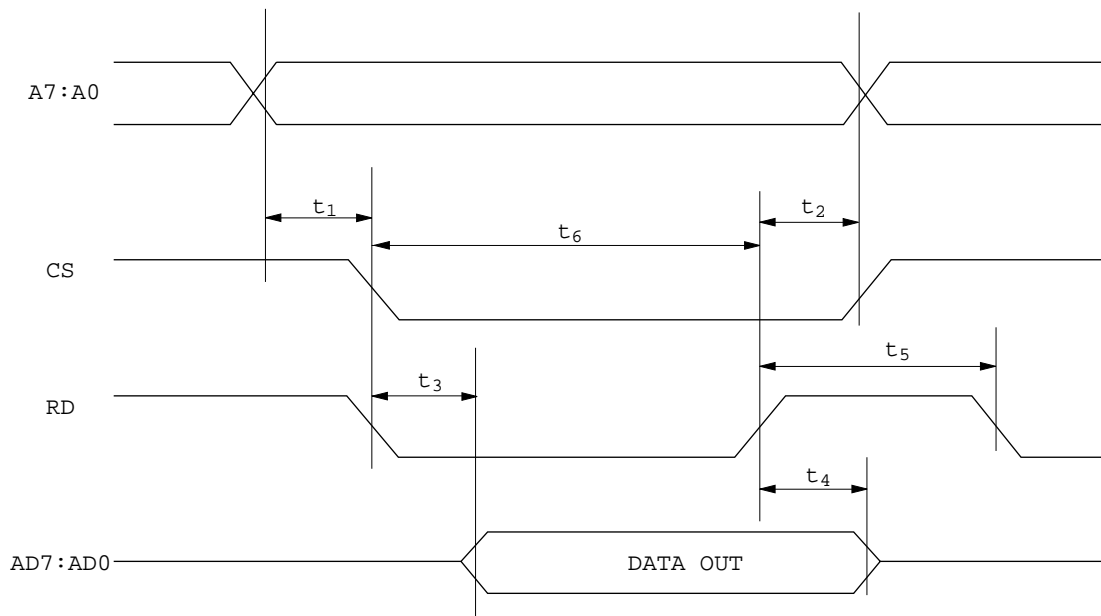
3. Including an external resistance of 22 Ω ± 5% on the D+ and D– data lines.

TIMING DIAGRAM

READ Timing (1)
(Address Separate, ADSEL = 0)

Parameter	Symbol	Condition	Min.	Max.	Unit	Note
Address Setup Time (\overline{RD})	$t_1(\overline{RD})$		21	—	ns	5
Address Setup Time (\overline{CS})	$t_1(\overline{CS})$		10	—	ns	5
Address (\overline{CS}) Hold Time	t_2		0	—	ns	2
Read Data Delay Time	t_3	Load 20 pF	—	25	ns	1
Read Data Hold Time	t_4	Load 20 pF	0	25	ns	
Recovery Time	t_5	FIFO READ	63	—	ns	3
FIFO Access Time	t_6	FIFO READ	42	—	ns	4

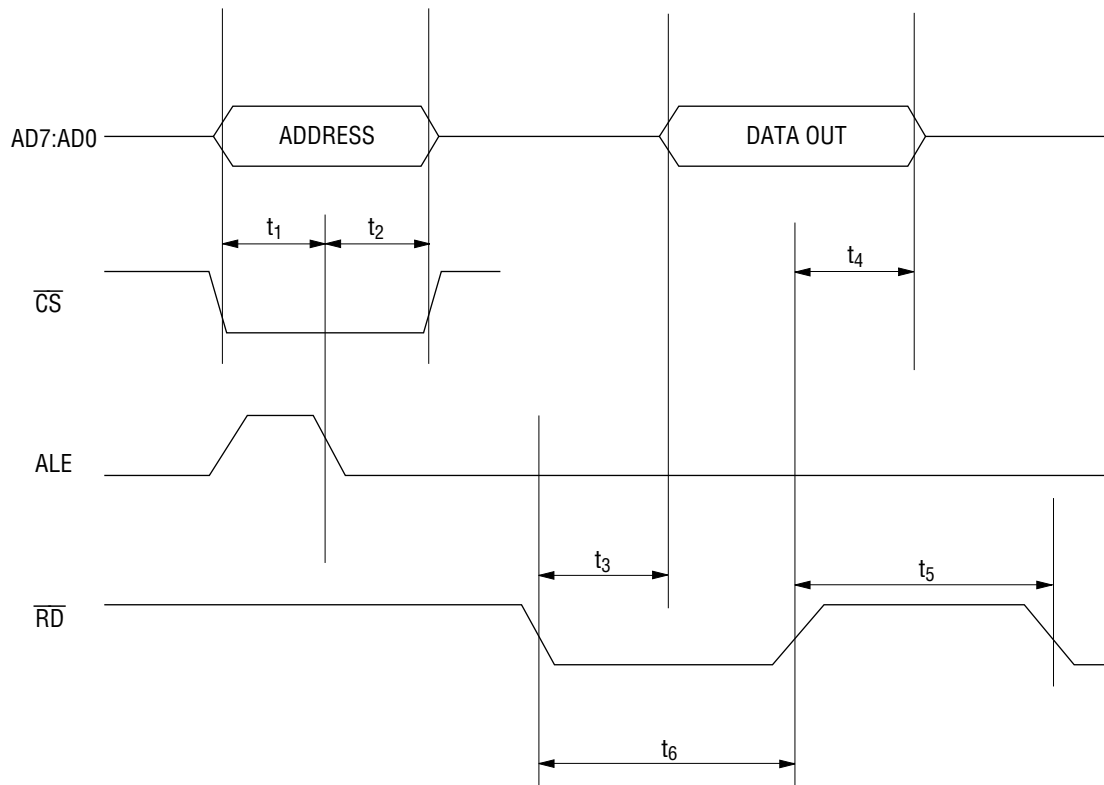
- Notes:
- t_3 is defined depending upon \overline{CS} or \overline{RD} which becomes active last.
 - t_2 is defined depending upon \overline{CS} or \overline{RD} which becomes active first.
 - 3-clock time of oscillation clock (clock period: 21 ns). It is required for increment of FIFO.
 - 2-clock time of oscillation clock (clock period: 21 ns). It is required for increment of FIFO.
 - t_1 is required for reading FIFO. t_1 is defined when either $t_1(\overline{CS})$ or $t_1(\overline{RD})$ is satisfied.



READ Timing (2)
(Address/Data Multiplex, ADSEL = 1)

Parameter	Symbol	Condition	Min.	Max.	Unit	Note
Address (\overline{CS}) Setup Time	t_1		10	—	ns	
Address (\overline{CS}) Hold Time	t_2		0	—	ns	
Read Data Delay Time	t_3	Load 20 pF	—	25	ns	
Read Data Hold Time	t_4	Load 20 pF	0	25	ns	
Recovery Time	t_5	FIFO READ	63	—	ns	1
FIFO Access Time	t_6	FIFO READ	42	—	ns	2

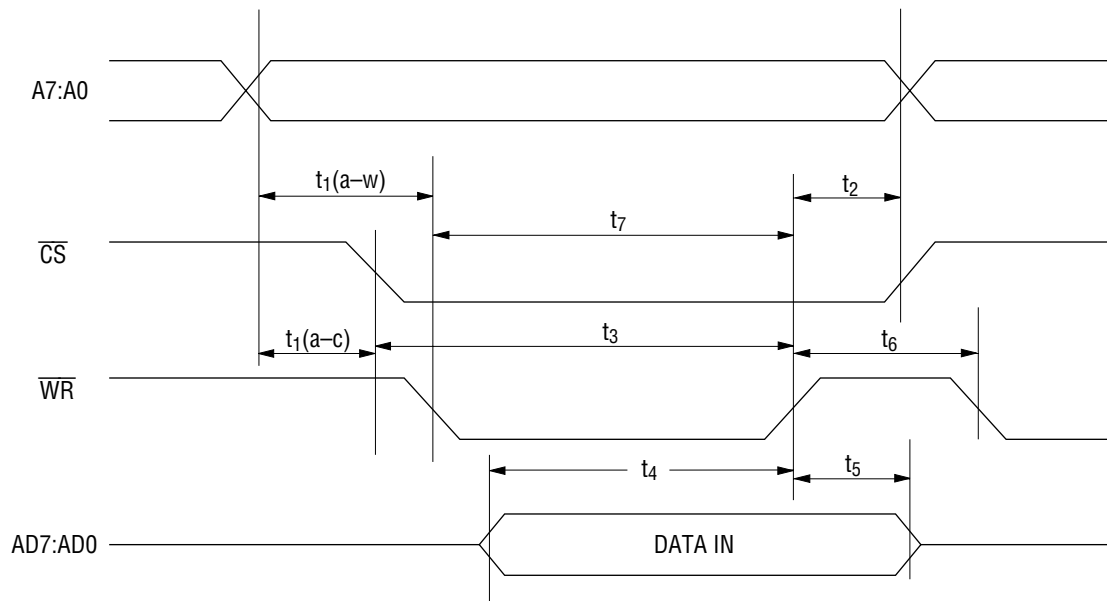
- Notes: 1. 3-clock time of oscillation clock (clock period: 21 ns). It is required for increment of FIFO.
 2. 2-clock time of oscillation clock (clock period: 21 ns). It is required for increment of FIFO.



WRITE Timing (1)
(Address Separate, ADSEL = 0)

Parameter	Symbol	Condition	Min.	Max.	Unit	Note
Address Setup Time	$t_1(a-w)$		21	—	ns	1
Address Setup Time	$t_1(a-c)$		10	—	ns	1
Address (\overline{CS}) Hold Time	t_2		0	—	ns	
\overline{CS} Setup Time	t_3		10	—	ns	
Write Data Setup Time	t_4		30	—	ns	
Write Data Hold Time	t_5		2	—	ns	
Recovery Time	t_6	FIFO WRITE	63	—	ns	2
FIFO Access Time	t_7	FIFO WRITE	42	—	ns	3

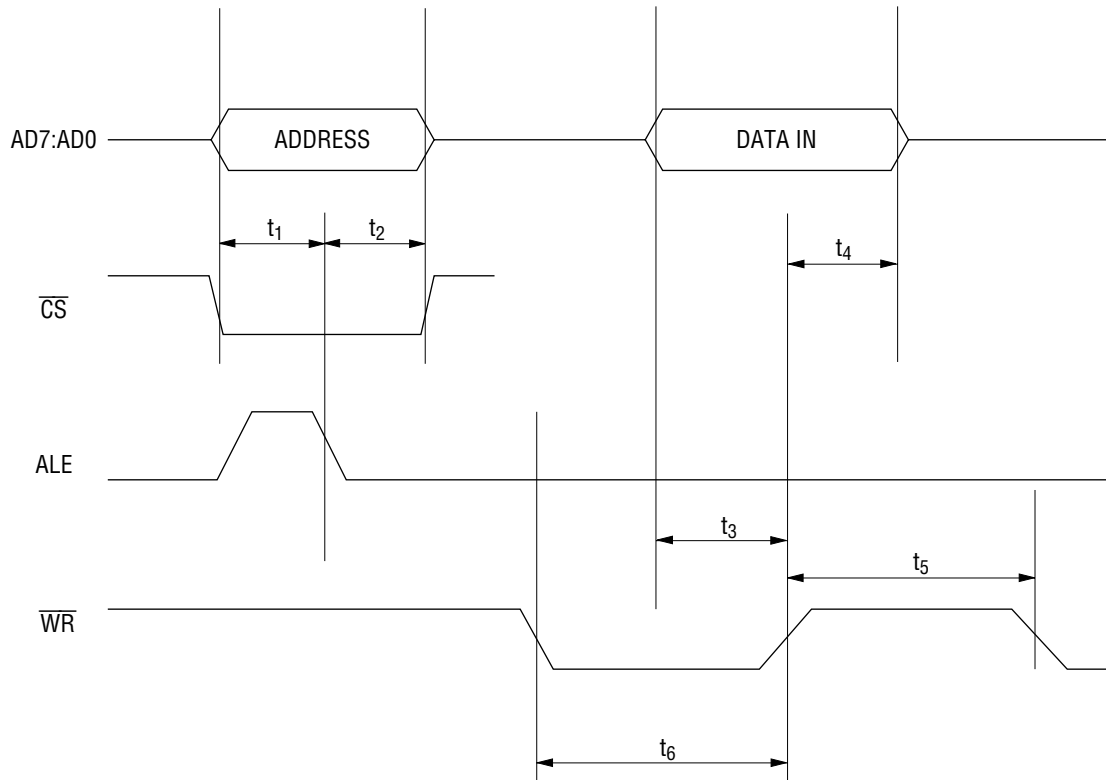
- Notes:
1. Either $t_1(a-w)$ or $t_1(a-c)$ should be satisfied.
 2. t_1 is defined depending upon \overline{CS} or \overline{WR} which becomes active first.
 3. 3-clock time of oscillation clock (clock period: 21 ns). It is required for increment of FIFO.
 4. 2-clock time of oscillation clock (clock period: 21 ns). It is required for increment of FIFO.
 5. Applied to all registers including CLRFIFO (address: 4Eh).



WRITE Timing (2)
(Address/Data Multiplex, ADSEL = 1)

Parameter	Symbol	Condition	Min.	Max.	Unit	Note
Address (\overline{CS}) Setup Time	t_1		10	—	ns	
Address (\overline{CS}) Hold Time	t_2		0	—	ns	
Write Data Setup Time	t_3		30	—	ns	
Write Data Hold Time	t_4		2	—	ns	
Recovery Time	t_5	FIFO WRITE	63	—	ns	1
FIFO Access Time	t_6	FIFO WRITE	42	—	ns	2

- Notes: 1. 3-clock time of oscillation clock (clock period: 21 ns). It is required for increment of FIFO.
 2. 2-clock time of oscillation clock (clock period: 21 ns). It is required for increment of FIFO.
 3. Applied to all registers including CLR_FIFO (address: 4Eh).

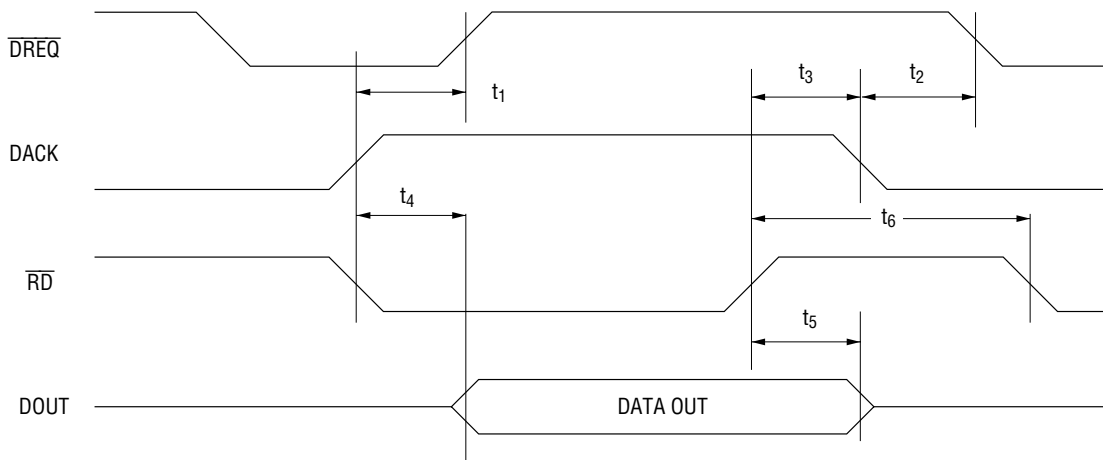


DMA Transfer Timing (1)

ML60851C to Memory (Single Transfer, Single Address Mode)

Parameter	Symbol	Condition	Min.	Max.	Unit	Note
DREQ Disable Time	t_1	Load 20 pF	—	20	ns	
DREQ Enable Time	t_2		—	63	ns	4
DACK Hold Time	t_3		0	—	ns	
Read Data Delay Time	t_4	Load 20 pF	—	25	ns	1
Data Hold Time	t_5	Load 20 pF	0	25	ns	
Recovery Time	t_6	8-bit DMA	63	—	ns	2
		16-bit DMA	105	—	ns	3

- Notes: 1. When in Single Address mode, \overline{CS} and A7:A0 are ignored.
 t_1 and t_4 are defined depending on DACK or \overline{RD} which becomes active last.
 2. 3-clock time of oscillation clock (clock period: 21 ns).
 3. 5-clock time of oscillation clock (clock period: 21 ns).
 4. It is possible to increase t_2 by setting the DMA interval register (DMAINTVL).

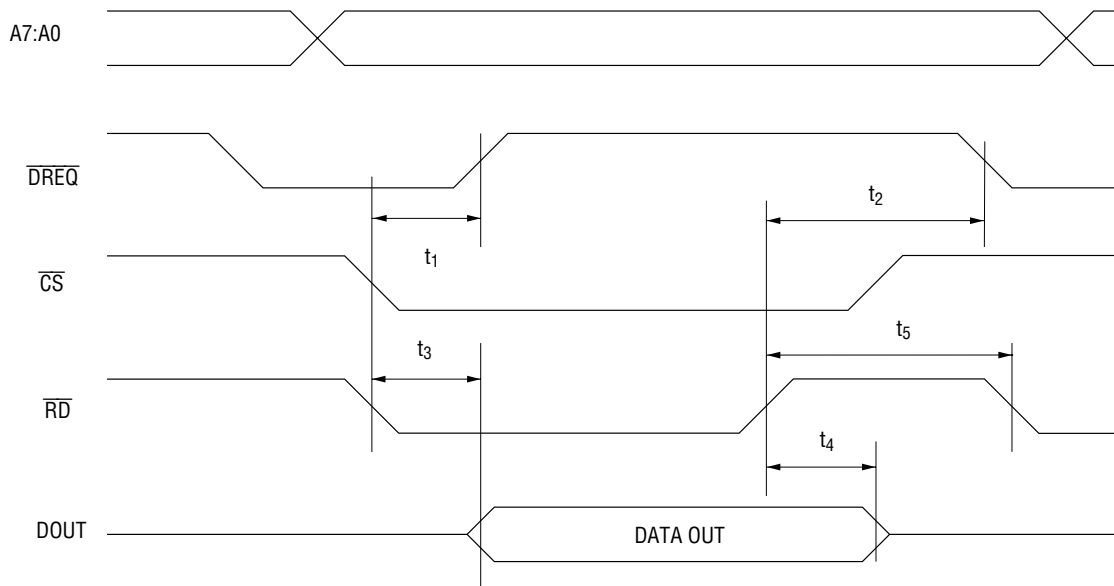


DMA Transfer Timing (2)

ML60851C to Memory (Single Transfer, Dual Address Mode)

Parameter	Symbol	Condition	Min.	Max.	Unit	Note
$\overline{\text{DREQ}}$ Disable Time	t_1	Load 20 pF	—	20	ns	
$\overline{\text{DREQ}}$ Enable Time	t_2		—	63	ns	4
Read Data Delay Time	t_3	Load 20 pF	—	25	ns	1
Data Hold Time	t_4	Load 20 pF	0	25	ns	
Recovery Time	t_5	8-bit DMA	63	—	ns	2
		16-bit DMA	105	—	ns	3

- Notes: 1. When in Dual Address mode, the $\overline{\text{DACK}}$ is ignored.
 t_1 and t_3 are defined depending on $\overline{\text{CS}}$ or $\overline{\text{RD}}$ which becomes active last.
 A7:A0 specifies the FIFO address.
Refer to READ Timing (1) for Address Setup Time and Address Hold Time.
- 3-clock time of oscillation clock (clock period: 21 ns).
 - 5-clock time of oscillation clock (clock period: 21 ns).
 - It is possible to increase t_2 by setting the DMA interval register (DMAINTVL).

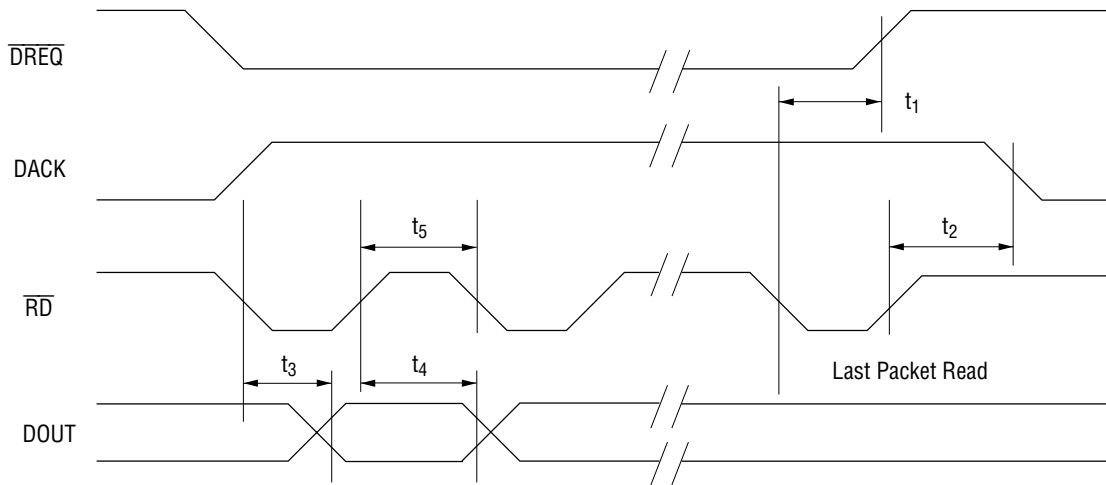


DMA Transfer Timing (3)

ML60851C to Memory (Demand Transfer, Single Address Mode)

Parameter	Symbol	Condition	Min.	Max.	Unit	Note
$\overline{\text{DREQ}}$ Disable Time	t_1	Load 20 pF	—	20	ns	
DACK Hold Time	t_2		0	—	ns	
Read Data Delay Time	t_3	Load 20 pF	—	25	ns	1
Data Hold Time	t_4	Load 20 pF	0	25	ns	
Recovery Time	t_5	8-bit DMA	63	—	ns	2
		16-bit DMA	105	—	ns	3

- Notes: 1. When in Single Address mode, t_3 is defined depending on DACK or $\overline{\text{RD}}$ which becomes active last.
 A7:A0 and $\overline{\text{CS}}$ are ignored.
 2. 3-clock time of oscillation clock (clock period: 21 ns).
 3. 5-clock time of oscillation clock (clock period: 21 ns).

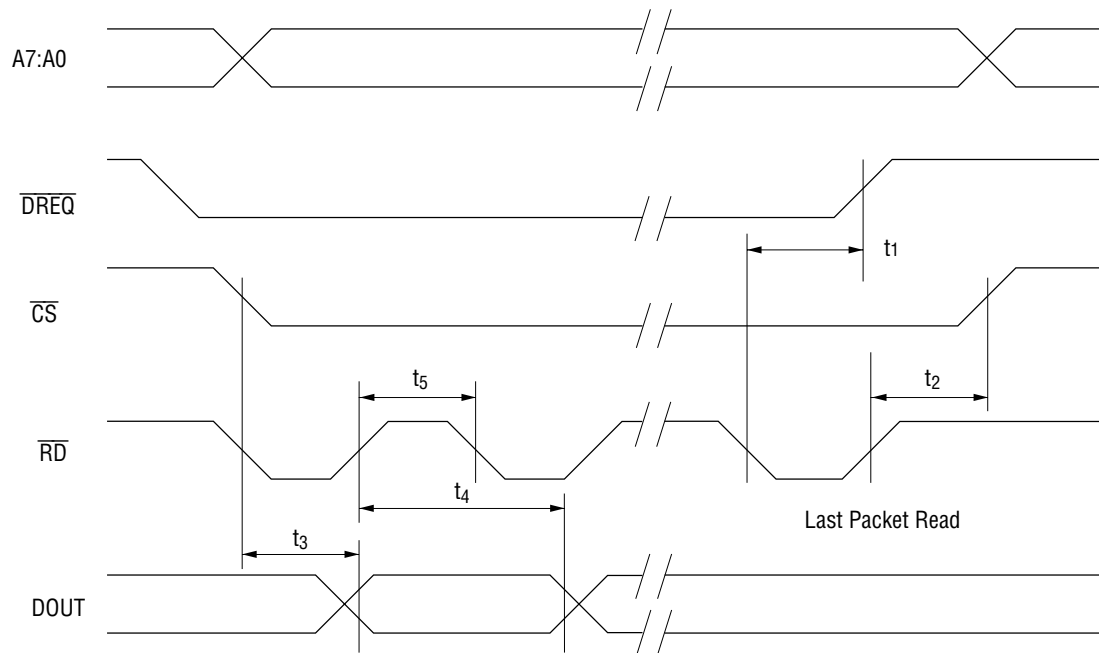


DMA Transfer Timing (4)

ML60851C to Memory (Demand Transfer, Dual Address Mode)

Parameter	Symbol	Condition	Min.	Max.	Unit	Note
$\overline{\text{DREQ}}$ Disable Time	t_1	Load 20 pF	—	20	ns	
$\overline{\text{CS}}$ Hold Time	t_2		0	—	ns	
Read Data Delay Time	t_3	Load 20 pF	—	25	ns	1
Data Hold Time	t_4	Load 20 pF	0	25	ns	
Recovery Time	t_5	8-bit DMA	63	—	ns	2
		16-bit DMA	105	—	ns	3

- Notes: 1. When in Dual Address mode, the $\overline{\text{DACK}}$ is ignored.
 t_3 is defined depending on $\overline{\text{CS}}$ or $\overline{\text{RD}}$ which becomes active last.
A7:A0 specifies the FIFO address.
Refer to READ Timing (1) for Address Setup Time and Address Hold Time.
2. 3-clock time of oscillation clock (clock period: 21 ns).
3. 5-clock time of oscillation clock (clock period: 21 ns).

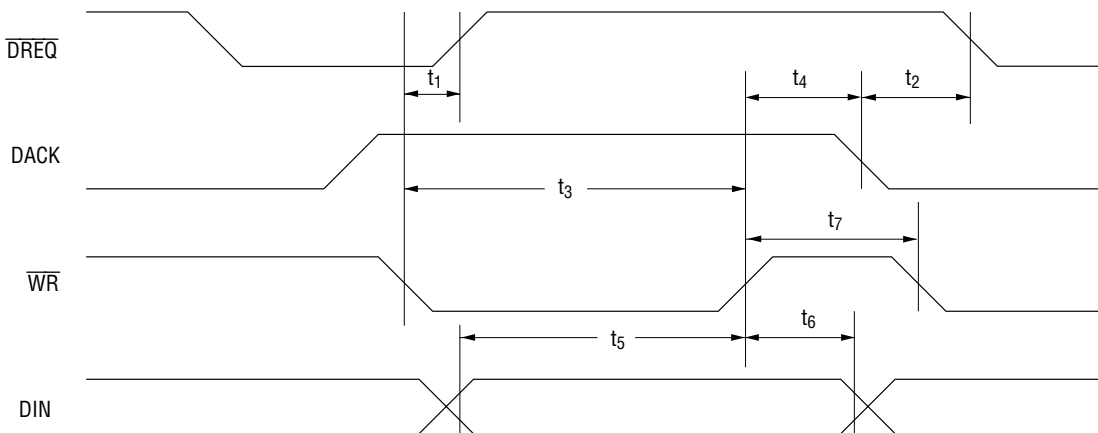


DMA Transfer Timing (5)

Memory to ML60851C (Single Transfer, Single Address Mode)

Parameter	Symbol	Condition	Min.	Max.	Unit	Note
$\overline{\text{DREQ}}$ Disable Time	t_1	Load 20 pF	—	20	ns	
$\overline{\text{DREQ}}$ Enable Time	t_2		—	63	ns	4
FIFO Access Time	t_3	FIFO WRITE	42	—	ns	1
DACK Hold Time	t_4		0	—	ns	
Write Data Setup Time	t_5		30	—	ns	
Write Data Hold Time	t_6		2	—	ns	
Recovery Time	t_7	8-bit DMA	63	—	ns	2
		16-bit DMA	105	—	ns	3

- Notes:
1. When in Single Address mode, $\overline{\text{CS}}$ and A7:A0 are ignored.
 2. 3-clock time of oscillation clock (clock period: 21 ns).
 3. 5-clock time of oscillation clock (clock period: 21 ns).
 4. It is possible to increase t_2 by setting the DMA interval register (DMAINTVL).

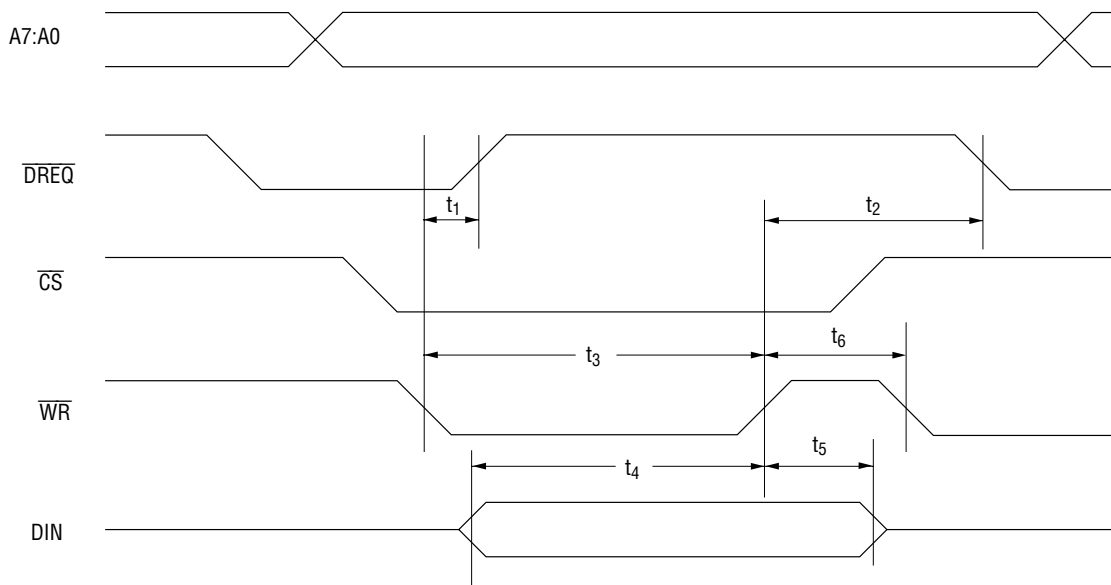


DMA Transfer Timing (6)

Memory to ML60851C (Single Transfer, Dual Address Mode)

Parameter	Symbol	Condition	Min.	Max.	Unit	Note
$\overline{\text{DREQ}}$ Disable Time	t_1	Load 20 pF	—	20	ns	
$\overline{\text{DREQ}}$ Enable Time	t_2		—	63	ns	4
FIFO Access Time	t_3	FIFO WRITE	42	—	ns	1
Write Data Setup Time	t_4		30	—	ns	
Write Data Hold Time	t_5		2	—	ns	
Recovery Time	t_6	8-bit DMA	63	—	ns	2
		16-bit DMA	105	—	ns	3

- Notes: 1. When in Dual Address mode, the $\overline{\text{DACK}}$ is ignored.
 t_1 and t_3 are defined depending on $\overline{\text{CS}}$ or $\overline{\text{WR}}$ which becomes active last.
Refer to WRITE Timing (1) for Address Setup Time and Address Hold Time.
2. 3-clock time of oscillation clock (clock period: 21 ns).
3. 5-clock time of oscillation clock (clock period: 21 ns).
4. It is possible to increase t_2 by setting the DMA interval register (DMAINTVL).

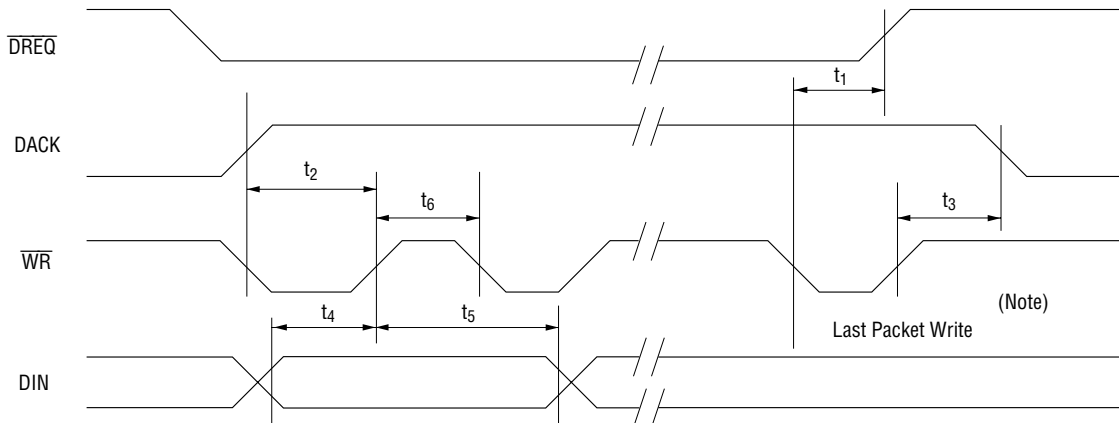


DMA Transfer Timing (7)

Memory to ML60851C (Demand Transfer, Single Address Mode)

Parameter	Symbol	Condition	Min.	Max.	Unit	Note
DREQ Disable Time	t_1	Load 20 pF	—	20	ns	
FIFO Access Time	t_2	FIFO WRITE	42	—	ns	1
DACK Hold Time	t_3		0	—	ns	
Write Data Setup Time	t_4		30	—	ns	
Write Data Hold Time	t_5		2	—	ns	
Recovery Time	t_6	8-bit DMA	63	—	ns	2
		16-bit DMA	105	—	ns	3

- Notes: 1. When in Single Address mode, A7:A0 and \overline{CS} are ignored.
 t_2 is defined depending on DACK or \overline{WR} which becomes active last.
 2. 3-clock time of oscillation clock (clock period: 21 ns).
 3. 5-clock time of oscillation clock (clock period: 21 ns).



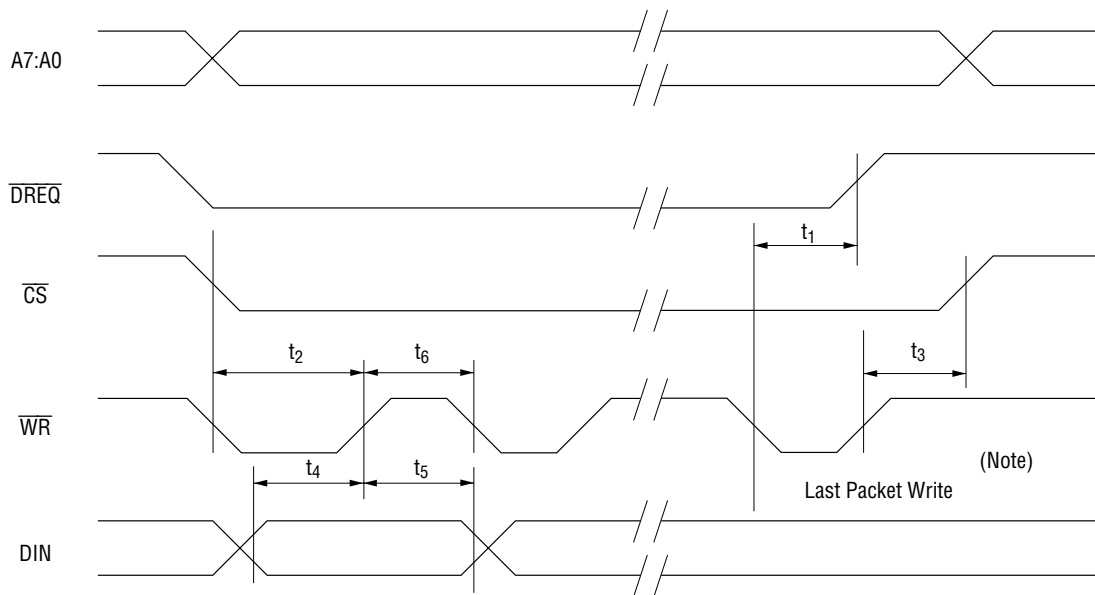
(Note) The last Write to reach the byte size (maximum packet size) specified by the EP1 Payload Register.
 To terminate DMA transfer before reaching the maximum packet size, set EP1 Packet Ready by writing "1" to the EP1 Endpoint Packet Ready bit.

DMA Transfer Timing (8)

Memory to ML60851C (Demand Transfer, Dual Address Mode)

Parameter	Symbol	Condition	Min.	Max.	Unit	Note
$\overline{\text{DREQ}}$ Disable Time	t_1	Load 20 pF	—	20	ns	
FIFO Access Time	t_2	FIFO WRITE	42	—	ns	1
$\overline{\text{CS}}$ Hold Time	t_3		0	—	ns	
Write Data Setup Time	t_4		30	—	ns	
Write Data Hold Time	t_5		2	—	ns	
Recovery Time	t_6	8-bit DMA	63	—	ns	2
		16-bit DMA	105	—	ns	3

- Notes: 1. When in Dual Address mode, the DACK is ignored.
 A7:A0 specifies the FIFO address.
 Refer to WRITE Timing (1) for Address Setup Time and Address Hold Time.
 t_2 is defined depending on $\overline{\text{CS}}$ or $\overline{\text{WR}}$ which becomes active last.
 2. 3-clock time of oscillation clock (clock period: 21 ns).
 3. 5-clock time of oscillation clock (clock period: 21 ns).



(Note) Refer to the previous page.

FUNCTIONAL DESCRIPTIONS

Pin Functional Description

USB Interface

Signal	Type	Assertion	Description															
D+	I/O	—	USB data (Plus). This signal and the D– signal are the transmitted or received data from/to USB Bus. The table below shows values and results for these signals.															
			<table border="1"> <thead> <tr> <th>D+</th> <th>D–</th> <th>Result</th> </tr> </thead> <tbody> <tr> <td>0</td> <td>0</td> <td>Single end 0</td> </tr> <tr> <td>0</td> <td>1</td> <td>Differential "0"</td> </tr> <tr> <td>1</td> <td>0</td> <td>Differential "1"</td> </tr> <tr> <td>1</td> <td>1</td> <td>Undefined</td> </tr> </tbody> </table>	D+	D–	Result	0	0	Single end 0	0	1	Differential "0"	1	0	Differential "1"	1	1	Undefined
			D+	D–	Result													
			0	0	Single end 0													
			0	1	Differential "0"													
1	0	Differential "1"																
1	1	Undefined																
D–	I/O	—	USB Data (Minus). This signal and the D+ signal are the transmitted or received data from/to USB Bus. The table above shows values and results for these signals.															

Crystal Oscillator Interface

Signal	Type	Assertion	Description
XIN	I	—	For internal oscillation, connect a crystal to XIN and XOUT.
XOUT	O	—	For external oscillation, supply an external 48 MHz clock signal to XIN. Set XOUT to be open.

Application Interface

Signal	Type	Assertion	Description
D15:D8	I/O	—	Upper byte (MSB) of data bus. This data bus is used by applications to access register files and FIFO data.
AD7:AD0	I/O	—	Lower byte (LSB) of data bus when ADSEL is LOW. Address and lower byte of data bus are multiplexed when ADSEL is HIGH.
A7:A0	I	—	Address when ADSEL is LOW. This address signal is used by application to access register files and FIFO data. This signal is ignored (all lows or all highs) when ADSEL is HIGH.
\overline{CS}	I	LOW	Chip Select. When this signal is asserted LOW, the ML60851C is selected and ready to read or write data.
\overline{RD}	I	LOW	Read Strobe. When this signal is asserted LOW, the Read instruction is executed.
\overline{WR}	I	LOW	Write Strobe. When this signal is asserted LOW, the Write instruction is executed.
\overline{INTR}	O	LOW (Note 1)	Interrupt Request. When this signal is asserted, the ML60851C makes an interrupt request to the application.
\overline{DREQ}	O	LOW (Note 1)	DMA Request. This signal requests the Endpoint FIFO to make a DMA transfer.
DACK	I	HIGH (Note 1)	DMA Acknowledge Signal. This signal, when asserted, enables accessing FIFOs, without address bus setting.
ALE	I	—	When ADSEL is HIGH, the address and \overline{CS} on AD7:AD0 is latched at the trailing edge of this signal. This signal is ignored when ADSEL is LOW.
ADSEL	I	—	When ADSEL is LOW, the address is input on A7:A0 and data is input on D15:D8 and AD7:AD0. When ADSEL is HIGH, the lower bytes (LSB) of address and data are multiplexed on AD7:AD0.
\overline{RESET}	I	LOW	System Reset. When this signal is asserted LOW, the ML60851C is reset. When the ML60851C is powered on, this signal must be asserted for 1 μ s or more.

Note: 1. Initial value immediately after resetting. Its assertion can be changed by programming.

Functional Description

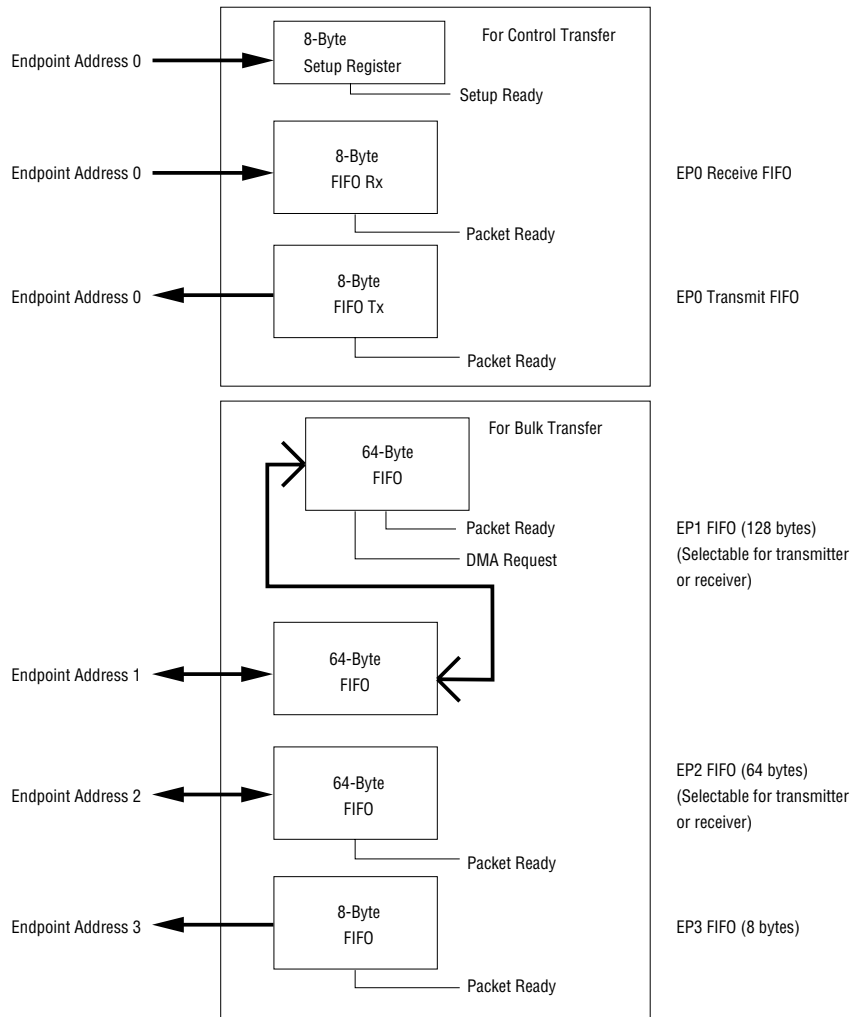
The ML60851C USB device controller contains the Protocol Engine, DPLL, Timer, Status/Control, FIFO Control, Application Interface, and Remote Wakeup blocks.

- Protocol Engine
The Protocol Engine handles the USB communication protocol. It performs control of packet transmission/reception, generation/detection of synchronous patterns, CRC generation/checking, NRZI data modulation, bit stuffing, and packet ID (PID) generation/checking.
- DPLL (Digital Phase Locked Loop)
The DPLL extracts clock and data from the USB differential received data (D+ and D-).
- Timer
The Timer block monitors idle time on the USB bus.
- Status/Control
The Status Control block monitors the transaction status and transmits control events to the application through an interrupt request.

• FIFO Control

The FIFO Control block controls all FIFO operations for transmitting and receiving USB packets. The FIFO configuration is described below.

Endpoint FIFO/8-Byte Setup Register Configuration



FIFO type	Endpoint address	Program size	Function
Reception	0	8 Bytes	Transfer control
Transmission	0	8 Bytes	Transfer control
Reception/Transmission	1	64 Bytes (2 levels)	Bulk-In and bulk-Out
Reception/Transmission	2	64 Bytes	Bulk-Out and bulk-In
Transmission	3	8 Bytes	Interrupt

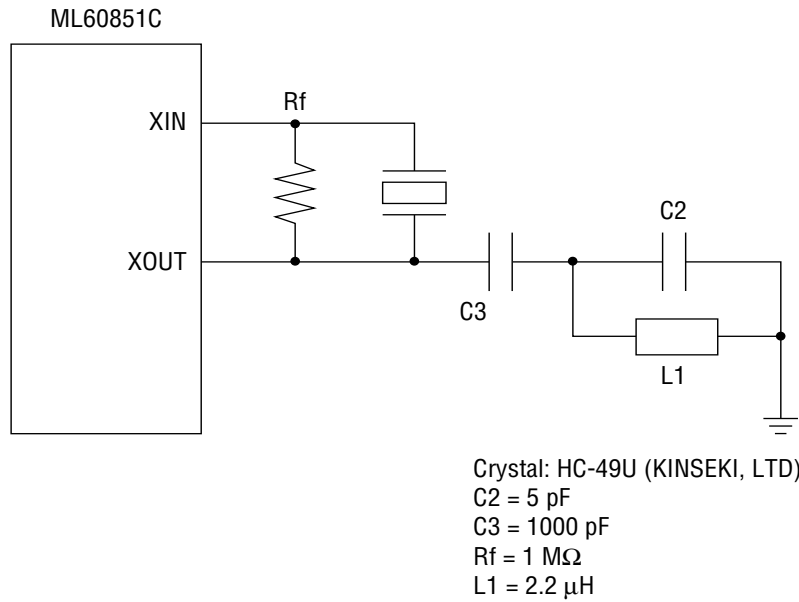
Every FIFO has a flag that indicates a full or empty FIFO and the capability of re-transmitting and re-receiving data. Endpoint addresses 1 and 2 can be used for either of reception and transmission by writing the register.

The FIFO at endpoint address 1 can be used for DMA transfer.

- **Interrupt**
Interrupt factors include Packet Ready for a transmit/receive FIFO, Setup Ready for 8-byte setup data, and Suspend. Generation of each interrupt request can be enabled or disabled by the Interrupt Enable register.
- **DMA**
8-bit and 16-bit demand transfer DMA and single transfer DMA are enabled for bulk-transfer FIFO at endpoint address 1.
In Demand Transfer mode, DREQ is asserted when a valid packet arrives at the FIFO. When the external DMA controller has completed transferring all byte data of a received packet, DREQ is deasserted. Accordingly, other devices cannot access the local bus during DMA transfer.
In Single Transfer mode, each time transfer of one byte data is completed, DREQ is deasserted. While DREQ is deasserted, other devices can access the local bus.
- **Remote Wakeup**
This functional block supports the remote wakeup function.
- **USB Transfers**
The ML60851C supports the two transfer types (Control Transfer and Bulk Transfer) of four transfer types (Control, Isochronous, Interrupt, and Bulk) defined by the USB Specifications.
 - The Control Transfer is required for transfer of configuration, commands, and status information between the host and devices.
 - The Bulk Transfer enables transfer of a large amount of data when the bus bandwidth is enough.
- **USB Transceiver**
The ML60851C contains an Oki's USB transceiver which converts internal unidirectional signals into USB-compatible signals.
This enables the designer's application module to interface to the physical layer of the USB.

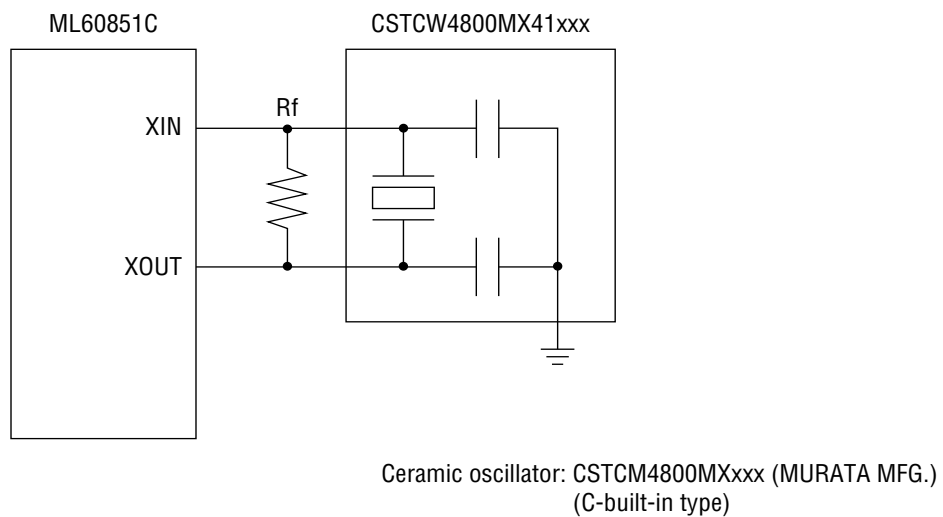
EXAMPLE OF OSCILLATOR CIRCUIT

• Oscillation Circuit Example 1



Note: The example shown above is not guaranteed for circuit operation.

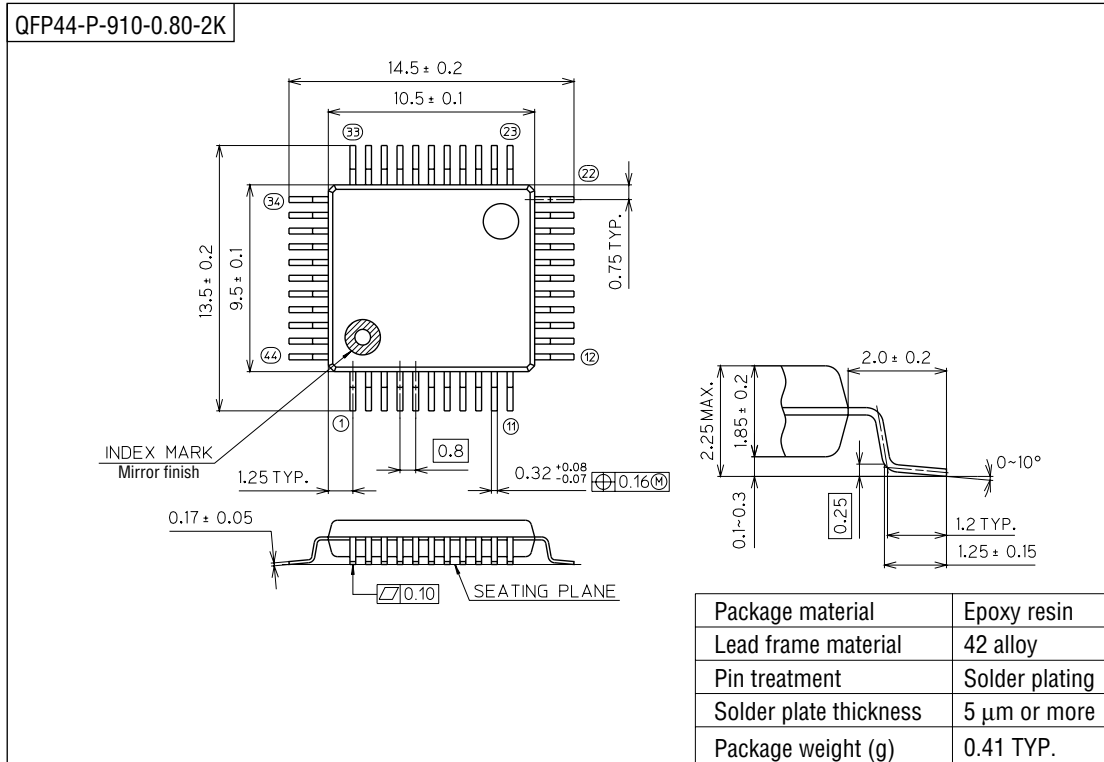
• Oscillation Circuit Example 2



Note: The example shown above is not guaranteed for circuit operation.

PACKAGE DIMENSIONS

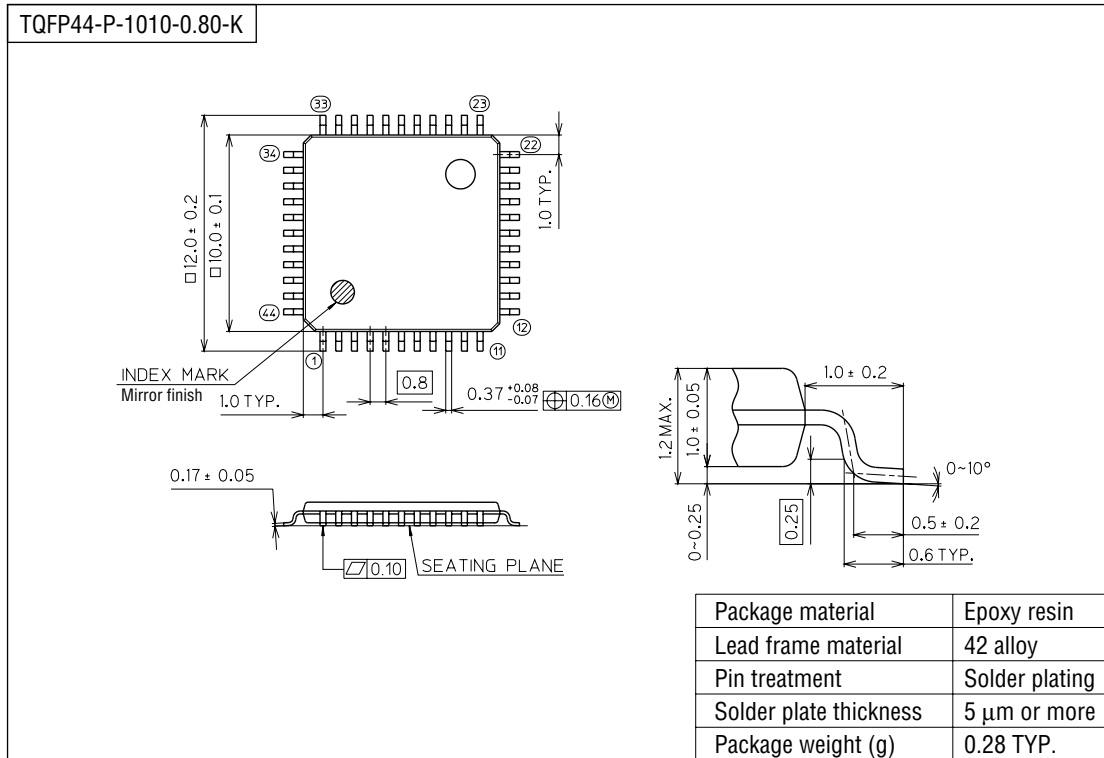
(Unit : mm)



Notes for Mounting the Surface Mount Type Package

The SOP, QFP, TSOP, SOJ, QFJ (PLCC), SHP and BGA are surface mount type packages, which are very susceptible to heat in reflow mounting and humidity absorbed in storage. Therefore, before you perform reflow mounting, contact Oki's responsible sales person for the product name, package name, pin number, package code and desired mounting conditions (reflow method, temperature and times).

(Unit : mm)



Notes for Mounting the Surface Mount Type Package

The SOP, QFP, TSOP, SOJ, QFJ (PLCC), SHP and BGA are surface mount type packages, which are very susceptible to heat in reflow mounting and humidity absorbed in storage. Therefore, before you perform reflow mounting, contact Oki's responsible sales person for the product name, package name, pin number, package code and desired mounting conditions (reflow method, temperature and times).