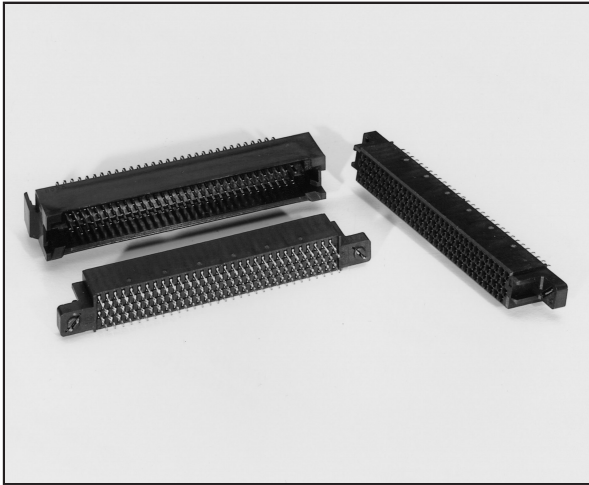


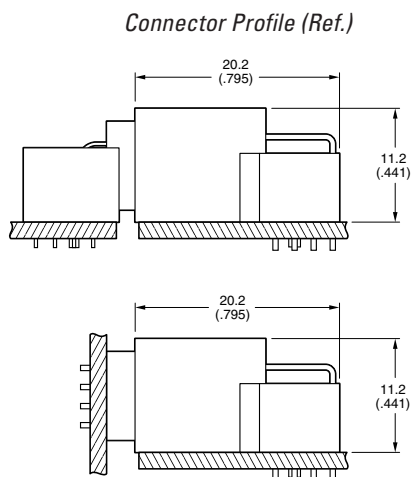
MJ02 SERIES CONNECTORS

1.0mm (.039") Contact Spacing, PCB-to-PCB Connectors



FEATURES

- Smooth mating is ensured by the 2.2mm (.087") guidance lead in the insulator taper area on the pin header and socket
- Mechanism absorbs up to $\pm 0.3\text{mm}$ (.012") mis-mating with wide contacts (pin connector) Ideal for multiple mounting
- Wide pin header insulator body withstands twisting
- Straight socket withstands flux rising
- Mis-mating can be prevented by attaching optional polarizing keys at both ends of the connector



The MJ02 Series is a board-to-board connector, ideal for switchboards, communications, medical and measuring equipment.

GENERAL SPECIFICATIONS

| | |
|---------------------------------|----------------------------------|
| Number of Contacts | 100, 124, 148, 180 (Note 1) |
| Contact Spacing | 1.0mm (.039") |
| Current Rating | 1 Amp |
| Dielectric Withstanding Voltage | 1000 VAC r.m.s. (for one minute) |
| Insulation Resistance | 5000 megohms min. |
| Contact Resistance | 30 milliohms max. |
| Operating Temperature | -55°C to +125°C |

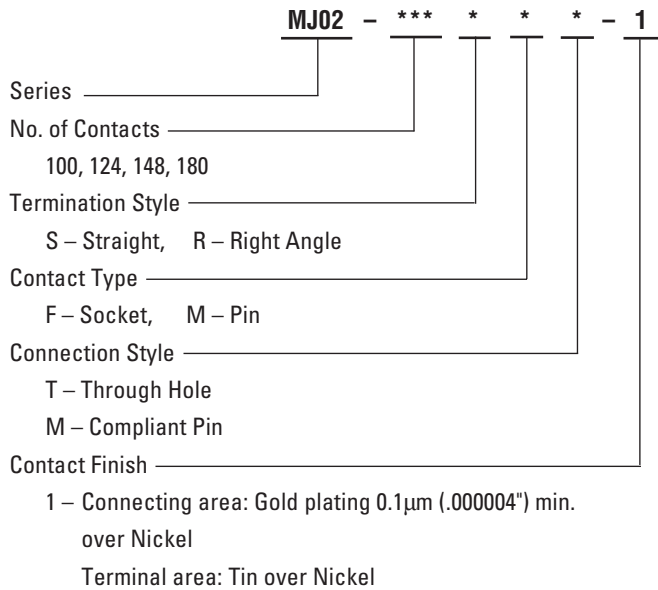
Note 1: 180 contacts for vertical contact combination (right angle, pin header and straight socket) only.

MATERIALS AND FINISHES

| | |
|-------------|---|
| Description | Materials/Finishes |
| Insulator | Glass-filled PBT (Black) |
| Contact | Copper Alloy: Contact: Gold over Nickel 0.1 μm (.000004") Terminal: Tin-Lead over Nickel |
| Hook Pin | Copper Alloy: Tin |
| Locator | Glass-filled PBT (Black) |

Note : Locators are used for angled socket and angled pin header only.

ORDERING INFORMATION



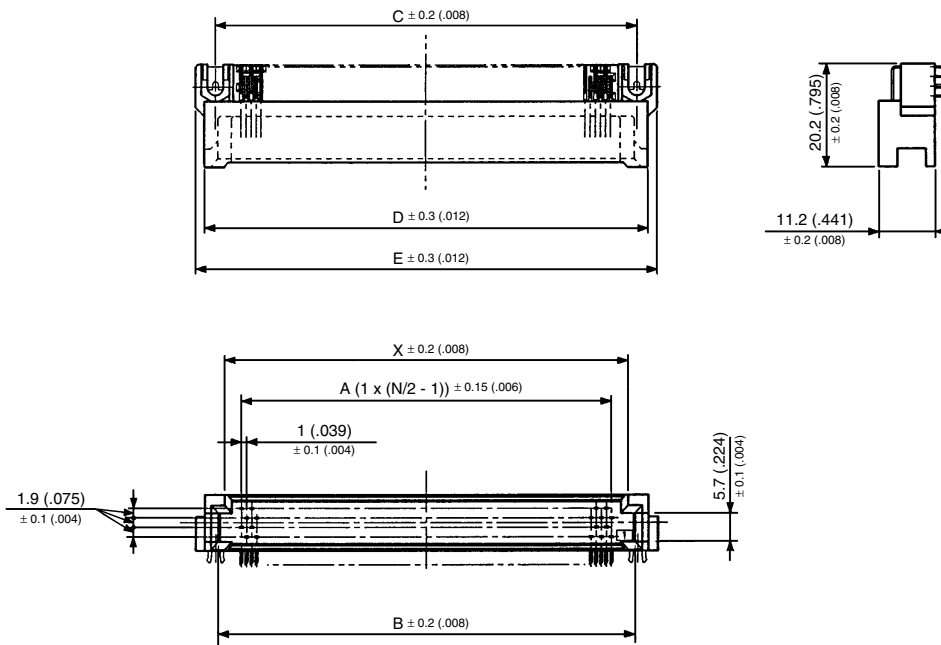
Dimensions and specifications subject to change without notice.

Dimensions in mm (inches).

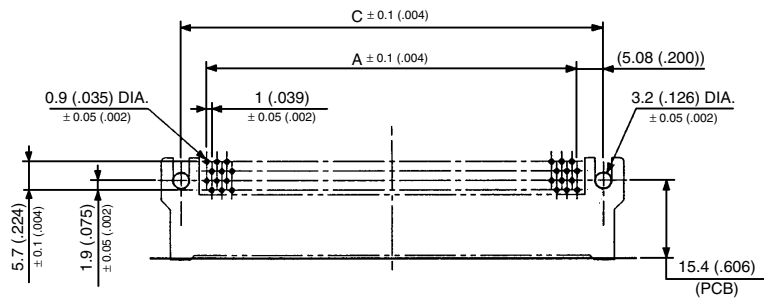
MJ02 SERIES CONNECTORS

1.0mm (.039") Contact Spacing, PCB-to-PCB Connectors

PIN • RIGHT ANGLE



PCB Layout (Ref.)



| No. of Contacts | Part Number | A | B | C | D | E | X |
|-----------------|---------------|------------|--------------|---------------|---------------|-------------|--------------|
| 100 | MJ02-100RMT-1 | 49 (1.929) | 58.2 (2.291) | 59.16 (2.329) | 63.4 (2.496) | 67 (2.638) | 55.6 (2.189) |
| 124 | MJ02-124RMT-1 | 61 (2.402) | 70.2 (2.764) | 71.16 (2.802) | 75.4 (2.969) | 79 (3.110) | 67.6 (2.661) |
| 148 | MJ02-148RMT-1 | 73 (2.874) | 82.2 (3.236) | 83.16 (3.274) | 87.4 (3.441) | 91 (3.583) | 79.6 (3.134) |
| 180 | MJ02-180RMT-1 | 89 (3.504) | 98.2 (3.866) | 99.16 (3.904) | 103.4 (4.071) | 107 (4.213) | 95.6 (3.764) |

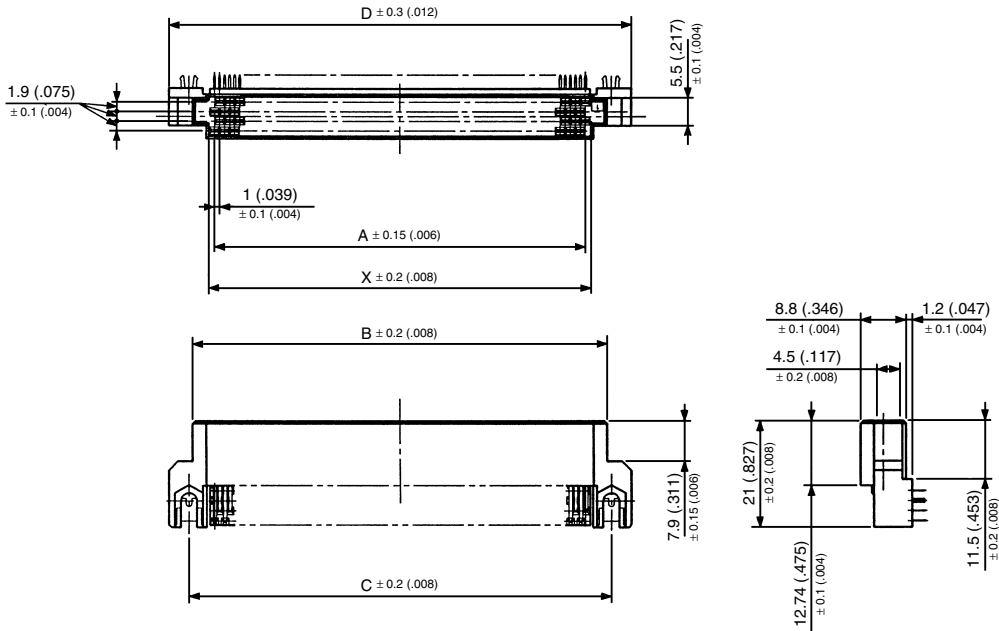
Dimensions in mm (inches).



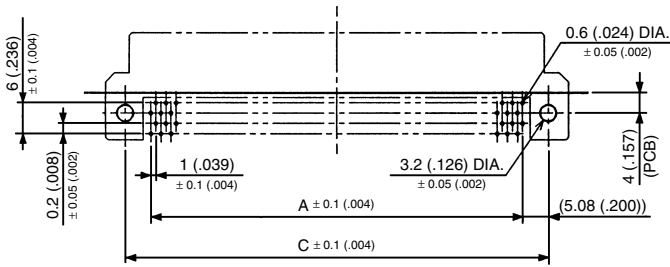
MJ02 SERIES CONNECTORS

1.0mm (.039") Contact Spacing, PCB-to-PCB Connectors

SOCKET • RIGHT ANGLE



PCB Layout (Ref.)



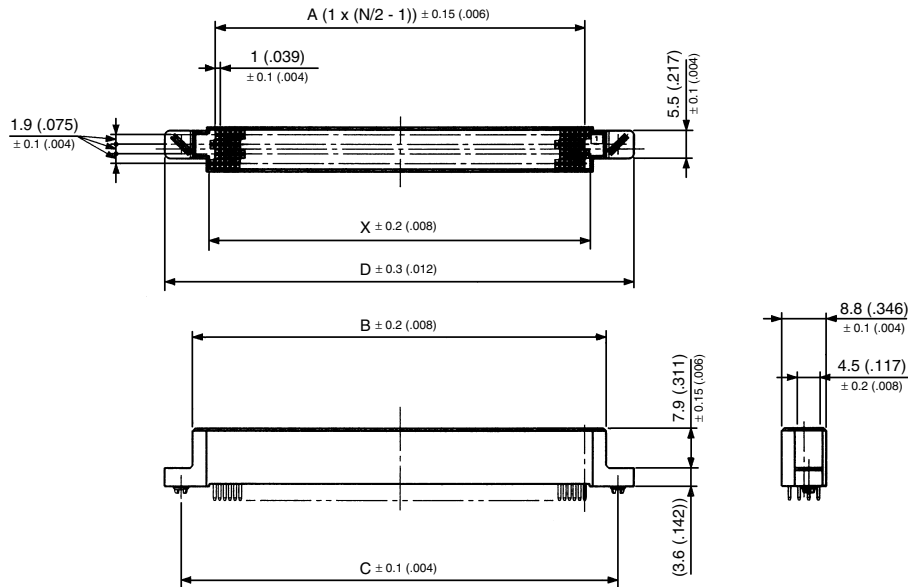
| No. of Contacts | Part Number | A | B | C | D | X |
|-----------------|---------------|------------|--------------|---------------|------------|--------------|
| 100 | MJ02-100RFT-1 | 49 (1.929) | 57.6 (2.268) | 59.16 (2.329) | 67 (2.638) | 51.2 (2.016) |
| 124 | MJ02-124RFT-1 | 61 (2.402) | 69.6 (2.740) | 71.16 (2.802) | 79 (3.110) | 63.2 (2.488) |
| 148 | MJ02-148RFT-1 | 73 (2.874) | 81.6 (3.213) | 83.16 (3.274) | 91 (3.583) | 75.2 (2.961) |

Dimensions in mm (inches).

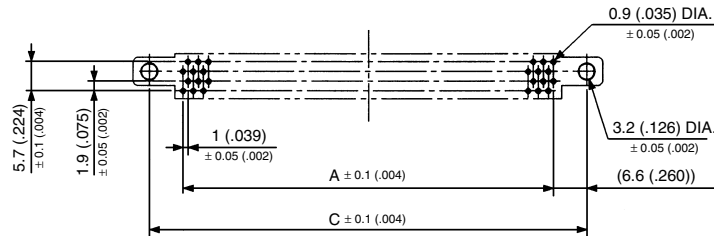
MJ02 SERIES CONNECTORS

1.0mm (.039") Contact Spacing, PCB-to-PCB Connectors

SOCKET • STRAIGHT



PCB Layout (Ref.)



| No. of Contacts | Part Number | A | B | C | D | X |
|-----------------|---------------|------------|--------------|--------------|--------------|--------------|
| 100 | MJ02-100SFT-1 | 49 (1.929) | 57.6 (2.268) | 62.2 (2.449) | 68.6 (2.701) | 51.2 (2.016) |
| 124 | MJ02-124SFT-1 | 61 (2.402) | 69.6 (2.740) | 74.2 (2.921) | 80.6 (3.173) | 63.2 (2.488) |
| 148 | MJ02-148SFT-1 | 73 (2.874) | 81.6 (3.213) | 86.2 (3.394) | 92.6 (3.646) | 75.2 (2.961) |

Dimensions in mm (inches).