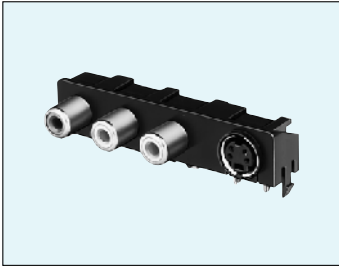
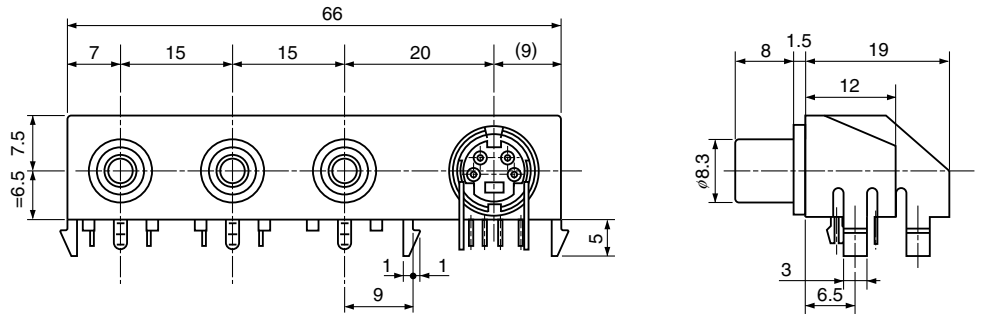


### JXT1057 Series

h = 6.5 mm

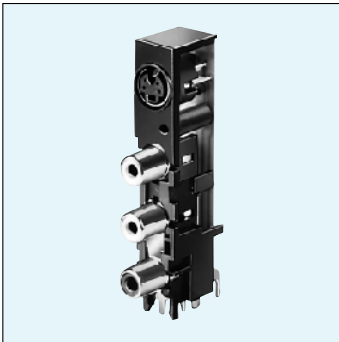


**JXT1057**



### JXT1088 Series

h = 8 mm



**JXT1088**

