

SPECIFICATIONS

Mechanical

Contact Retention Force: 0.91Kgf min.

Electrical

Voltage Rating: 250V

Current Rating: 6.0A per pin

Dielectric Withstanding Voltage: 1500V AC

Insulation Resistance: 1000M Ω min.

Physical

Housing: Thermoplastic, UL 94V-0 Rating in black Color

Contact: Copper alloy

Plating: See "ORDERING INFORMATION"

Operating Temperature: -40 to +85

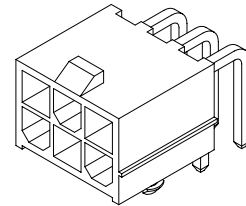
Header Connector

HM50 Series

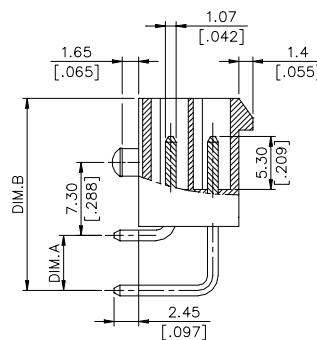
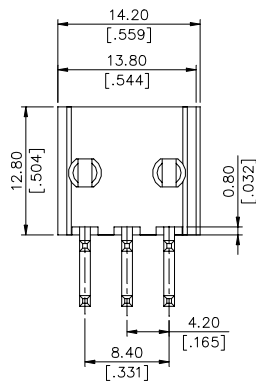
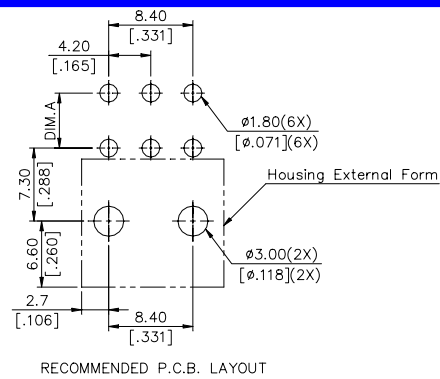
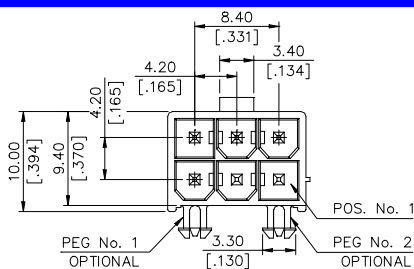
R/A, T/H Type

Plug

4.2mm [.165"] Pitch

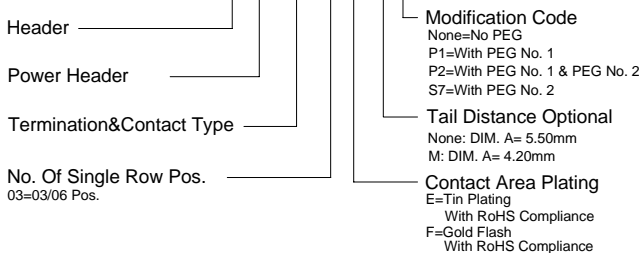


DRAWING



ORDERING INFORMATION

PRODUCT No. : H M 50 ** * - * *



HM5003*-M*	4.20 [.165]	17.90 [.705]
HM5003*-**	5.50 [.217]	19.20 [.756]
P/N	DIM. A	DIM. B