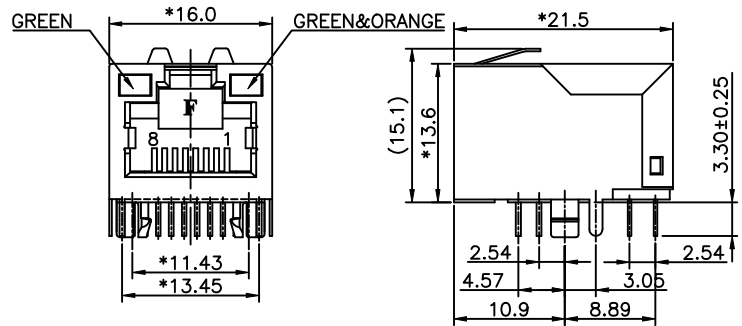
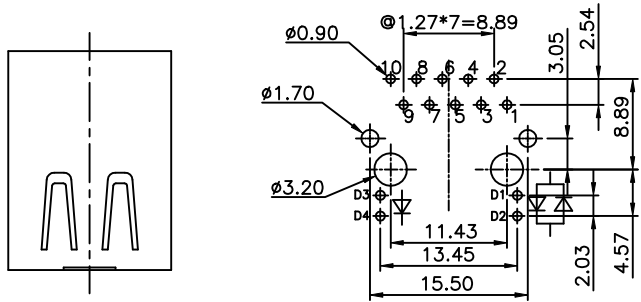
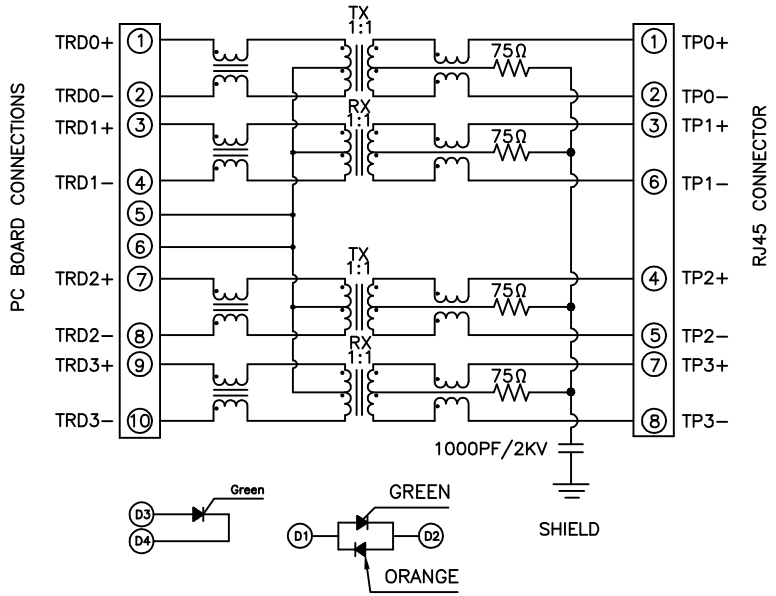


REVISION RECORD				
REV	ECO	DESCRIPTION	DRFT	CHKD



Schematic:



NOTES:

Characteristics Description:

1. RJ45 10/1000 Base-Tx Transformer Jack With Transformer/ Impedance Resistor/High Voltage Capacitor.
2. Size Same As RJ-45 Modular Jack To Save PCB Board Space.
3. Reduce EMI Radiation, Improve EMI Performance.
4. Designed For Network Interface Card Application.
5. Designed To Meet IEEE 802.3u Requirement.
6. Designed For 100 Base Transmission over UTP-5 Cable.

Electrical Specification:

1. Insertion Loss: 0.5 dB MAX @ 1-60 MHZ
1.0 dB MAX @ 60-100 MHZ
1.2 dB MAX @ 100-125 MHZ
2. Return Loss: 16 dB MIN @ 1-30 MHZ. Load 100 OHM
13.5 dB MIN @ 30-40 MHZ. Load 100 OHM
11.5 dB MIN @ 40-50 MHZ. Load 100 OHM
10.0 dB MIN @ 50-80 MHZ. Load 100 OHM
3. Cross Talk: 40 dB MIN @ 1-30 MHZ
35 dB MIN @ 30-60 MHZ
30 dB MIN @ 60-100 MHZ
4. CMRR: 30 dB MIN @ 1-100 MHZ
5. Leakage Inductance At 100 KHZ DC 100 mV: 0.3 uH MAX
6. Primary Inductance: @ 100 KHZ, 0.1 Vrms, 8 mA DC Bias: 350 uH MIN.
7. ISOLATION VOLTAGE @60HZ:1500Vrms(INPUT TO OUTPUT) 60SEC

Mechanical:

1. Housing Material : NYLON+30%.G.F(FR52) UL94V-0
2. Insert Material : NYLON+25%.G.F(FR50) UL94V-0
3. Contact Mateial : Phosphor Bronze t=0.35mm.
4. Plating : 1:Contact Area- Selectine Gold Plating.
2:Tails Tin-Lead Over Nickel.
5. Operating Life : 750 Cycles Min.
6. Pcb Retention Pre-Solder : 1 Lb Min.
7. Pcb Retention Post-Solder : 10 Lbs Min.

Environmental:

1. Storage : -40°C To+85°C.
2. Operation : 0°C To+70°C.
3. Wave Soldering Temperature: 255~265°C (5~10 SECONDS)

Mates With Modular Plug Conforming To Fcc Part 68, Subpart F.

Part Number: E5TAB-P5KR1X-L
Gold Plating:
1-3u" 2-6u" 3-15u"
4-30u" 5-50u"

DETACHED LISTS	MM (INCH)	DFTO SWEEP	DATE 06/22/05'	FULL RISE ELECTRONIC CO., LTD	
	TOLERANCES EXCEPT AS NOTED	CHKD DATE	DATE 06/22/05'		
	MM	MFO	DATE		
	APPVL DATE	DATE 06/22/05'			
MM	±	QT'Y :	TITLE		
.0 ±0.20	±		Latch UP Tr's LED JACK(1X1)		
.00 ±0.15	±		DRAWING NO. GE5T3206-LB		
.000 ±0.075	±		/PART NO. SEE NOTE		
ANGLES ±		FINISH :	SIZE A3		
THIRD ANGLE PROJECTION		SCALE : 2:1	REV 0 06/22/05'		
DO NOT SCALE DRAWING			SHEET 1 OF 1		