



PRELIMINARY

Dual Output Mixed Voltage, DLV Models

13 Amp, 37 Watt, DC/DC Converters
V_{OUT} Combinations of 3.3/2.5/1.8/1.5/1.2 Volts

Features

- Two independently regulated outputs:
3.3V @ 6A; 2.5/1.8/1.5/1.2V @ 7A
- 13A/37W total output current/power
- Input voltage ranges:
10-18V, 18-36V or 36-75V
- Standard 2" x 2" package/pinout
- High efficiency (to 85%)
- Stable no-load operation
- Independent V_{out} trim pins
- Remote on/off control
- Fully isolated (1500Vdc); I/O protected
- Output overvoltage protection
- Thermal shutdown
- UL60950/EN60950 certified
- CE marked

DATEL's new DLV Series, dual-output, low-voltage DC/DC's provide any output combination of 3.3V (to 6 Amps) and 2.5/1.8/1.5/1.2V (to 7 Amps). Designed with two control loops for two independently regulated outputs (both using synchronous rectification), DLV's are impressively efficient (to 85%) and able to supply their full 13 Amps of output current (37W for the 3.3V/2.5V models) up to +60°C ambient with no derating (model dependent).

Housed in standard 2" x 2" x 0.5" plastic packages, DLV's offer a number of functional options (positive or negative polarity on the control pin, addition of second V_{out} trim pin, etc.) that make them pin compatible with, yet more powerful than, virtually all 2" x 2" duals from other leading DC/DC manufacturers.

Assembled using fully automated, SMT-on-pcb techniques, DLV's provide stable no-load operation, excellent line/load regulation ($\pm 1\%$), quick step response (200 μ sec), and low output ripple/noise (80mVp-p). All devices feature full I/O fault protection including: input overvoltage and undervoltage shutdown, output overvoltage protection, current limiting, short-circuit protection, and thermal shutdown.

All DLV models are Qual/HALT/EMI tested and certified to the operational/functional-insulation requirements of UL60950/EN60950. 48V_{IN} models (75V_{IN} max.) carry the CE mark

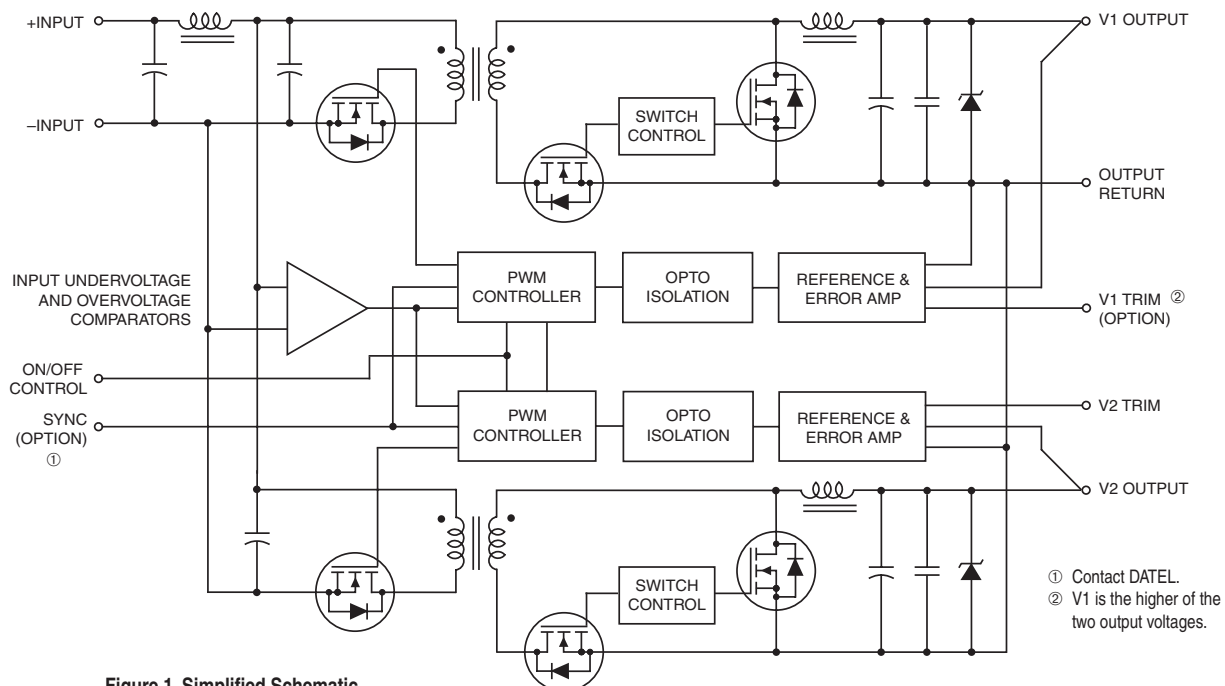


Figure 1. Simplified Schematic

Performance Specifications and Ordering Guide ^①

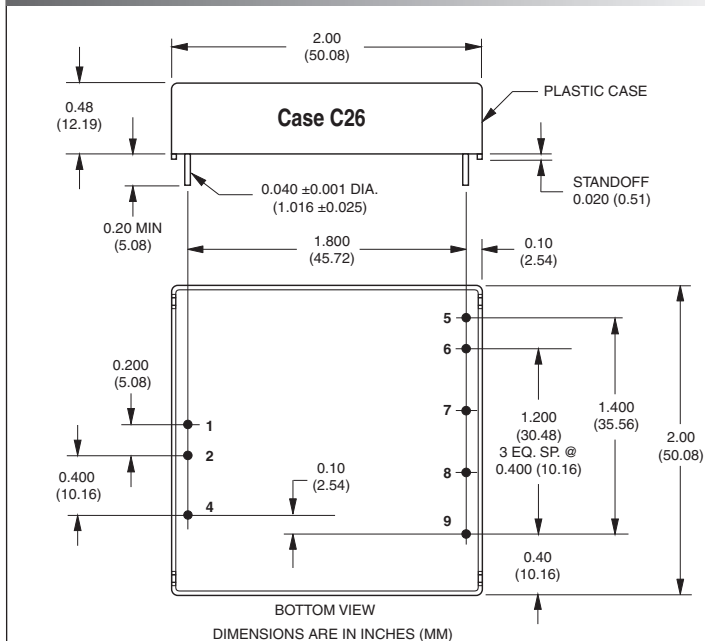
PRELIMINARY

Model	Output						Input			Efficiency		Package (Case, Pinout)
	V _{OUT} (Volts)	I _{OUT} ^② (Amps)	R/N (mVp-p) ^③		Regulation (Max.)		V _{IN} Nom. (Volts)	Range (Volts)	I _{IN} ^⑤ (mA)	Min.	Typ.	
			Typ.	Max.	Line	Load ^④						
DLV-2.5/7-1.8/7-D12	2.5	7	75	TBD	±1%	±1%	12	10-18	TBD	TBD	83%	C26, P48
	1.8	7	75	TBD	±1%	±1%						
DLV-2.5/7-1.8/7-D24	2.5	7	75	TBD	±1%	±1%	24	18-36	TBD	TBD	83%	C26, P48
	1.8	7	75	TBD	±1%	±1%						
DLV-2.5/7-1.8/7-D48	2.5	7	75	TBD	±1%	±1%	48	36-75	TBD	TBD	83%	C26, P48
	1.8	7	75	TBD	±1%	±1%						
DLV-3.3/6-1.2/7-D12	3.3	6	75	TBD	±1%	±1%	12	10-18	TBD	TBD	83%	C26, P54
	1.2	7	75	TBD	±1%	±1%						
DLV-3.3/6-1.2/7-D24	3.3	6	75	TBD	±1%	±1%	24	18-36	TBD	TBD	83%	C26, P54
	1.2	7	75	TBD	±1%	±1%						
DLV-3.3/6-1.2/7-D48	3.3	6	75	TBD	±1%	±1%	48	36-75	TBD	TBD	83%	C26, P54
	1.2	7	75	TBD	±1%	±1%						
DLV-3.3/6-1.5/7-D12	3.3	6	75	TBD	±1%	±1%	12	10-18	TBD	TBD	85%	C26, P54
	1.5	7	75	TBD	±1%	±1%						
DLV-3.3/6-1.5/7-D24	3.3	6	75	TBD	±1%	±1%	24	18-36	TBD	TBD	85%	C26, P54
	1.5	7	75	TBD	±1%	±1%						
DLV-3.3/6-1.5/7-D48	3.3	6	75	TBD	±1%	±1%	48	36-75	TBD	TBD	85%	C26, P54
	1.5	7	75	TBD	±1%	±1%						
DLV-3.3/6-1.8/7-D12	3.3	6	75	TBD	±1%	±1%	12	10-18	TBD	TBD	83%	C26, P47
	1.8	7	75	TBD	±1%	±1%						
DLV-3.3/6-1.8/7-D24	3.3	6	75	TBD	±1%	±1%	24	18-36	TBD	TBD	83%	C26, P47
	1.8	7	75	TBD	±1%	±1%						
DLV-3.3/6-1.8/7-D48	3.3	6	75	TBD	±1%	±1%	48	36-75	TBD	TBD	83%	C26, P47
	1.8	7	75	TBD	±1%	±1%						
DLV-3.3/6-2.5/7-D12	3.3	6	75	TBD	±1%	±1%	12	10-18	TBD	TBD	85%	C26, P40
	2.5	7	75	TBD	±1%	±1%						
DLV-3.3/6-2.5/7-D24	3.3	6	75	TBD	±1%	±1%	24	18-36	TBD	TBD	85%	C26, P40
	2.5	7	75	TBD	±1%	±1%						
DLV-3.3/6-2.5/7-D48	3.3	6	75	TBD	±1%	±1%	48	36-75	TBD	TBD	85%	C26, P40
	2.5	7	75	TBD	±1%	±1%						

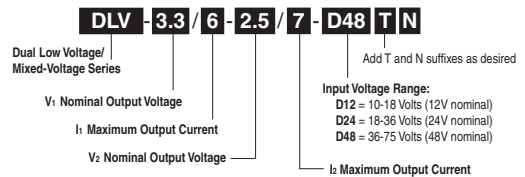
① Typical at T_A = +25°C under nominal line voltage and "balanced," full-power conditions: 3.3V @ 4.5A/2.5V @ 6A; 3.3V @ 5.2A/1.8V @ 7A; 3.3V @ 5.2A/1.8V @ 7A; 2.5V @ 7A/1.8V @ 7A.
 ② Any combination of rated I_{OUT} current, not to exceed 35 Watts of output power. (See derating graphs.)

③ Ripple/Noise (R/N) measured over a 20MHz bandwidth. All models are specified with TBD ceramic capacitors.
 ④ Tested from no load to 100% load (other output at no load).
 ⑤ Nominal line voltage, no load/balanced full-power condition.

MECHANICAL SPECIFICATIONS



See page 5 for Part Number Structure and ordering details.



I/O Connections				
Pin	Function P40	Function P47	Function P48	Function P54
1	+Input	+Input	+Input	+Input
2	-Input	-Input	-Input	-Input
3	No Pin	No Pin	No Pin	No Pin
4	On/Off Control	On/Off Control	On/Off Control	On/Off Control
5	+3.3V Trim*	+3.3V Trim*	+2.5V Trim*	+3.3V Trim*
6	+3.3V Output	+3.3V Output	+2.5V Output	+3.3V Output
7	Output Return	Output Return	Output Return	Output Return
8	+2.5V Output	+1.8V Output	+1.8V Output	+1.5V Output
9	+2.5V Trim	+1.8V Trim	+1.8V Trim	+1.5V Trim

* Optional pins

Performance/Functional Specifications

Typical @ $T_A = +25^\circ\text{C}$ under nominal line voltage, balanced "full-load" conditions, unless noted. ①

Input	
Input Voltage Range:	
D12 Models	10-18 Volts (12V nominal)
D24 Models	18-36 Volts (24V nominal)
D48 Models	36-75 Volts (48V nominal)
Overvoltage Shutdown:	
D12 Models	19-23 Volts (21V nominal)
D24 Models	37-42 Volts (40V nominal)
D48 Models	77-81 Volts (79V nominal)
Start-Up Threshold:	
D12 Models	9-10 Volts (9.3V nominal)
D24 Models	16.5-18 Volts (17V nominal)
D48 Models	34.5-36 Volts (35V nominal)
Undervoltage Shutdown:	
D12 Models	8.5-9.6 Volts (9.3V nominal)
D24 Models	16-17 Volts (16.5V nominal)
D48 Models	33-35 Volts (34V nominal)
Input Current:	
Normal Operating Conditions	See Ordering Guide
Standby Mode:	
Off, OV, UV, Thermal Shutdown	10mA typical
Input Reflected Ripple Current:	
Source Impedance	
D12 Models	TBD
D24 Models	TBD
D48 Models	TBD
Internal Input Filter Type	Pi (0.039 μF - 2.2 μH - TBD)
Reverse-Polarity Protection:	
D12 Models	TBD minute duration, 6A maximum
D24 Models	TBD minute duration, 4A maximum
D48 Models	TBD minute duration, 2A maximum
On/Off Control (Pin 4): ③ ④ ⑥	
D12, D24, D48 Models	On = open or TBD to $+V_{IN}$, $I_{IN} = \text{TBD}\mu\text{A}$ @ TBDV Off = 0-0.8V, $I_{IN} = \text{TBD}$ @ 0V
D12N, D24N, D48N Models	On = 0-0.8V, $I_{IN} = \text{TBD}$ @ 0V Off = open or TBD to $+5.5\text{V}$ $I_{IN} = \text{TBD}\mu\text{A}$ @ TBDV
Output	
V_{OUT} Accuracy	
2.5V/1.8V Models	1.5% / 2% maximum
3.3V/1.5V and 3.3V/1.8V Models	1% / 2% maximum
3.3V/2.5V Models	1% / 1.5% maximum
Minimum Loading Per Specification	No load
Ripple/Noise (20MHz BW)	See Ordering Guide
Line/Load Regulation	See Ordering Guide
Efficiency	See Ordering Guide/Efficiency Curves
Trim Range ⑧	$\pm 5\%$ each output
Isolation Voltage:	
Input-to-Output	1500Vdc
Isolation Capacitance	470pF
Isolation Resistance	100M Ω
Current Limit Inception:	
2.5/1.8V Models	
2.5V @ 98% V_{OUT} , 1.8V @ TBDA	TBD Amps
1.8V @ 98% V_{OUT} , 2.5V @ TBDA	TBD Amps
3.3/1.5V Models	
3.3V @ 98.5% V_{OUT} , 1.5V @ TBDA	TBD Amps
1.5V @ 98% V_{OUT} , 3.3V @ TBDA	TBD Amps

Output (continued)	
Current Limit Inception:	
3.3/1.8V Models	
3.3V @ 98.5% V_{OUT} , 1.8V @ TBDA	TBD Amps
1.8V @ 98% V_{OUT} , 3.3V @ TBDA	TBD Amps 98.5% V_{OUT}
3.3V/2.5V Models	
3.3V @ 98.5% V_{OUT} , 2.5V @ TBDA	TBD Amps
2.5V @ 98% V_{OUT} , 3.3V @ TBDA	TBD Amps
Short Circuit Current:	
3.3V Outputs	TBD Amps average, continuous
2.5V Outputs	TBD Amps average, continuous
1.8V Outputs	TBD Amps average, continuous
1.5V Outputs	TBD Amps average, continuous
Overvoltage Protection:	Comparator, magnetic feedback
2.5/1.8V Models	TBD/TBD
3.3/1.5V Models	TBD/TBD
3.3/1.8V Models	TBD/TBD
3.3/2.5V Models	TBD/TBD
Maximum Capacitive Loading	
2.5/1.8V Models	TBD/TBD μF
3.3/1.5V Models	TBD/TBD μF
3.3/1.8V Models	TBD/TBD μF
3.3/2.5V Models	TBD/TBD μF
Temperature Coefficient	$\pm 0.02\%$ per $^\circ\text{C}$
Dynamic Characteristics	
Dynamic Load Response:	
2.5/1.8V Models	
2.5V (50-100% step to 1.5% V_{OUT})	TBD μsec maximum
1.8V (50-100% step to 2% V_{OUT})	TBD μsec maximum
3.3/1.5V Models	
3.3V (50-100% step to 1% V_{OUT})	TBD μsec maximum
1.8V (50-100% step to 2% V_{OUT})	TBD μsec maximum
3.3/1.8V Models	
3.3V (50-100% step to 1% V_{OUT})	TBD μsec maximum
1.8V (50-100% step to 2% V_{OUT})	TBD μsec maximum
3.3V/2.5V Models	
3.3V (50-100% step to 1% V_{OUT})	TBD μsec maximum
2.5V (50-100% step to 1.5% V_{OUT})	TBD μsec maximum
Start-Up Time:	
V_{IN} to V_{OUT}	TBD
On/Off to V_{OUT}	TBD
Switching Frequency	225kHz (\pm TBD kHz)
Environmental	
MTBF	
D12 Models	TBD hours
D24 Models	TBD hours
D48 Models	TBD hours
Operating Temperature (Ambient):	
Without Derating:	
2.5/1.8V Models	TBD
3.3/1.8V Models	TBD
3.3V/2.5V Models	TBD
With Derating	To $+100^\circ\text{C}$ (See Derating Curves)
Case Temperature:	
Maximum Operational	$+100^\circ\text{C}$
For Thermal Shutdown	TBD minimum, TBD maximum
Storage Temperature	-40 to $+120^\circ\text{C}$

Physical	
Dimensions	2" x 2" x 0.5" (50.8 x 50.8 x 12.7mm)
Case Material	Diallyl phthalate, UL94V-0 rated
Pin Material	Brass, solder coated
Weight:	TBD
Primary to Secondary Insulation Level	Operational

- ① All models are specified with external TBD ceramic output capacitors.
- ② See Technical Notes/Graphs for details.
- ③ Devices may be order with opposite polarity. See Part Number Suffixes and Technical Notes for details.
- ④ Applying a voltage to On/Off Control (pin 4) when no input power is applied to the converter may cause permanent damage.
- ⑤ Output noise may be further reduced with the installation of additional external output capacitors. See Technical Notes.
- ⑥ On/Off control is designed to be driven with open collector or by appropriate voltage levels. Voltages must be referenced to the -Input (pin 2).
- ⑦ Demonstrated MTBF available on request.
- ⑧ Trim function for the higher of two voltages available with "T" suffix. See Part Number Suffixes and Technical Notes for details.

Absolute Maximum Ratings		
Input Voltage:		
Continuous:	D12 Models	23 Volts
	D2A Models	42 Volts
	D48 Models	81 Volts
Transient (100msec):	D12 Models	25 Volts
	D24 Models	50 Volts
	D48 Models	100 Volts
Input Reverse-Polarity Protection ②		
	Input Current must be limited. TBD minute duration. Fusing recommended.	
	D12A Models	6 Amps
	D24A Models	4 Amps
	D48A Models	2 Amps
Output Current ②		
	Current limited. Devices can withstand an indefinite output short circuit.	
On/Off Control (Pin 4) Max. Voltages		
	Referenced to -Input (pin 2)	
	No Suffix	+VIN
	"N" Suffix	+8 Volts
Sync Control (Pin 3) Max. Voltages		
	"S" Suffix	+5.7 Volts
Storage Temperature		
	-40 to +120°C	
Lead Temperature (Soldering, 10 sec.)		
	+300°C	
These are stress ratings. Exposure of devices to any of these conditions may adversely affect long-term reliability. Proper operation under conditions other than those listed in the Performance/Functional Specifications Table is not implied, nor recommended.		

TECHNICAL NOTES

On/Off Control

The primary-side, remote On/Off Control function (pin 4) can be specified to operate with either positive or negative polarity. Positive polarity devices (no suffix) are enabled when pin 4 is left open or pulled high (+TBDV to +TBDV with respect to -Input). Positive polarity devices are disabled when pin 4 is pulled low (0-0.8V with respect to -Input). Negative polarity devices are off when pin 4 is high/open and on when pin 2 is pulled low.

For applications where power sequencing is critical, the DLV series can be configured such that the On/Off Control pin will enable/disable only the higher of the two output voltages. Contact DATEL for more information.

Trimming Output Voltages

These DLV converters have a trim capability (pins 9 & 5) that allow users to independently adjust the output voltages ±5%. (Note: pin 5 is an option, see ordering information.) Adjustments to the output voltages can be accomplished via a trim pot, Figure 2, or a single fixed resistor as shown in Figures 3 and 4. A single fixed resistor can increase or decrease the output voltage depending on its connection. Fixed resistors should have absolute TCR's less than 100ppm/°C to minimize sensitivity to changes in temperature.

A single resistor connected from the Trim pin 9 to +Output (pin 8), see Figure 3, will decrease the lower output voltage. A resistor connected from Trim pin 9 to Output Return (pin 7) will increase the lower output voltage. See Figure 4.

Similarly, the higher output voltage can be adjusted using a single resistor connected from the Trim (pin 5) to +Output (pin 6) or to Output Return (pin 7). See Figures 3 and 4.

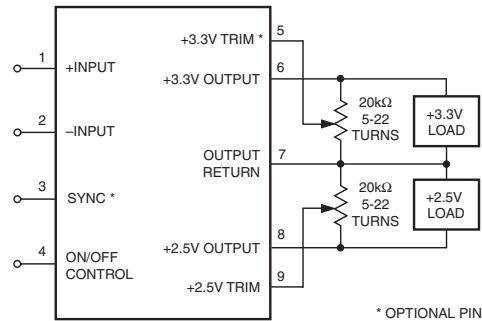


Figure 2. Trim Connections Using A Trim Pot

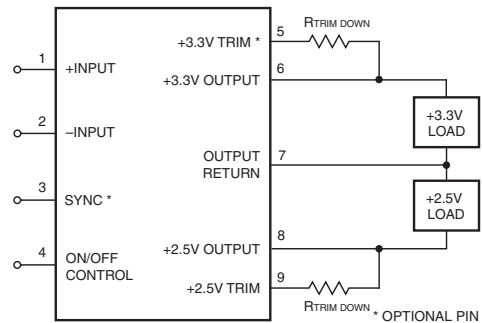


Figure 3. Trim Connections To Decrease Output Voltages Using Fixed Resistors

3.3 Volt Trim Down

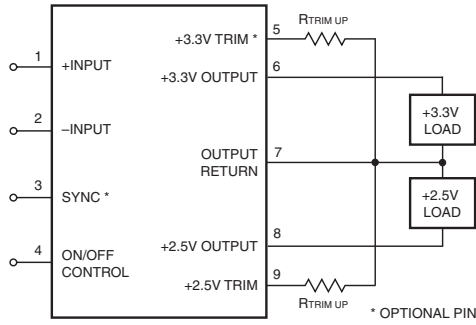
$$R_{T_DOWN} (k\Omega) = \left[\frac{3.48(V_O - 1.577)}{3.3 - V_O} \right] - 25.5$$

2.5 Volt Trim Down

$$R_{T_DOWN} (k\Omega) = \left[\frac{2.41(V_O - 1.18)}{2.5 - V_O} \right] - 17.4$$

1.8 Volt Trim Down

$$R_{T_DOWN} (k\Omega) = \left[\frac{1.73(V_O - 0.86)}{1.8 - V_O} \right] - 14.17$$



3.3 Volt Trim Up

$$R_{T_{UP}} (k\Omega) = \left[\frac{5.88}{V_o - 3.3} \right] - 25.5$$

2.5 Volt Trim Up

$$R_{T_{UP}} (k\Omega) = \left[\frac{2.84}{V_o - 2.5} \right] - 17.4$$

1.8 Volt Trim Up

$$R_{T_{UP}} (k\Omega) = \left[\frac{1.49}{V_o - 1.8} \right] - 14.17$$

Note: Resistor values are in kΩ. Accuracy of adjustment is subject to tolerances of resistors and factory-adjusted output accuracy. V_o = desired output voltage.

Figure 4. Trim Connections To Increase Output Voltages Using Fixed Resistors

PART NUMBER STRUCTURE

DLV - 3.3 / 6 - 2.5 / 7 - D48 T N

Dual Low Voltage/
Mixed-Voltage Series

V₁ Nominal Output Voltage

I₁ Maximum Output Current

V₂ Nominal Output Voltage

Input Voltage Range:

- D12 = 10-18 Volts (12V nominal)
- D24 = 18-36 Volts (24V nominal)
- D48 = 36-75 Volts (48V nominal)

I₂ Maximum Output Current

Add T and N suffixes as desired

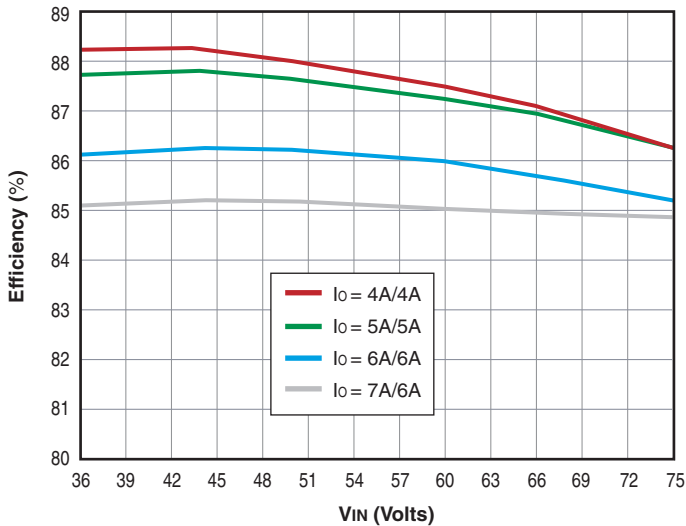
Part Number Suffixes

Standard DLV DC/DC's provide a Trim function (Pin 9) for the lower of the two output voltages. A Trim pin (Pin 5) for the higher voltage can be added by indicating a "T" suffix. An "N" suffix indicates that the On/Off Control function incorporates negative polarity logic.

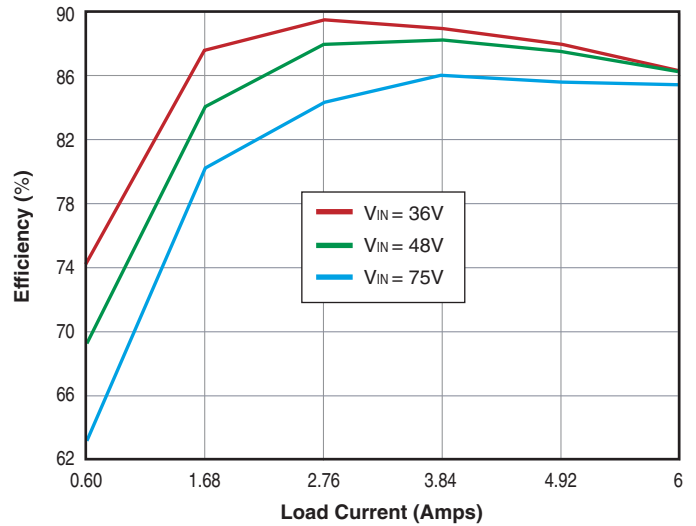
- No Suffix** Pins 5 not installed, positive polarity On/Off Control
- T Suffix** Pin 5 added for higher voltage Trim option
- N Suffix** Negative polarity On/Off Control

TYPICAL PERFORMANCE CURVES

DLV-3.3/6-2.5/7-D48TN Efficiency vs. Load and V_{IN}

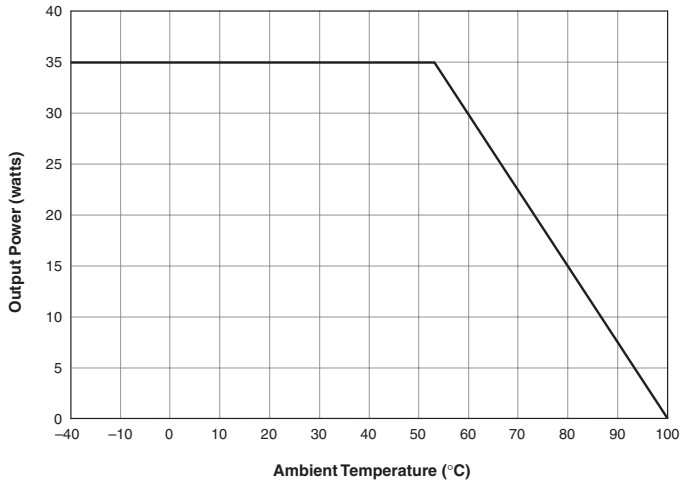


DLV-3.3/6-2.5/7-D48TN Efficiency vs. Line and Load



TEMPERATURE DERATING

DLV-3.3/6-2/5/7-D48TN Output Power vs. Ambient Temperature
 (V_{IN} nominal, natural convection air flow.)



ISO 9001 REGISTERED

DS-0490 11/01

DATEL, Inc. 11 Cabot Boulevard, Mansfield, MA 02048-1151
 Tel: (508) 339-3000 (800) 233-2765 Fax: (508) 339-6356
 Internet: www.datel.com Email: sales@datel.com

DATEL (UK) LTD. Tadley, England Tel: (01256)-880444
 DATEL S.A.R.L. Montigny Le Bretonneux, France Tel: 01-34-60-01-01
 DATEL GmbH München, Germany Tel: 89-544334-0
 DATEL KK Tokyo, Japan Tel: 3-3779-1031, Osaka Tel: 6-6354-2025

DATEL makes no representation that the use of its products in the circuits described herein, or the use of other technical information contained herein, will not infringe upon existing or future patent rights. The descriptions contained herein do not imply the granting of licenses to make, use, or sell equipment constructed in accordance therewith. Specifications are subject to change without notice. The DATEL logo is a registered DATEL, Inc. trademark.