

CT1210F Series

From 0.22 μ H to 4.7 μ H

SPECIFICATIONS

Part Number	Inductance $\pm 20\%$ (μ H)	DCR Typ. (m Ω)	DCR Max. (m Ω)	Isat Typ. (A)	Irms Typ. (A)	Dim. "H" Max. (mm)	Pin Dim. ± 0.2 (mm)
CT1210F-R22M	0.22	0.50	0.60	56	38.0	7.5	1.4
CT1210F-R33M	0.33	0.70	0.80	48	33.0	8.6	1.4
CT1210F-R36M	0.36	0.70	0.80	48	33.0	8.6	1.4
CT1210F-R39M	0.39	0.70	0.80	45	33.0	8.6	1.4
CT1210F-R47M	0.47	0.85	1.00	40	30.0	10.0	1.5
CT1210F-R56M	0.56	0.85	1.00	40	30.0	10.0	1.5
CT1210F-R60M	0.60	0.85	1.00	40	30.0	10.0	1.5
CT1210F-R68M	0.68	0.85	1.00	40	30.0	10.0	1.5
CT1210F-R80M	0.80	1.10	1.25	36	26.0	10.0	1.4
CT1210F-1R0M	1.00	1.75	2.00	32	21.0	10.0	1.2
CT1210F-1R5M	1.50	3.00	3.50	30	16.0	10.0	1.0
CT1210F-2R2M	2.20	4.30	5.00	24	13.6	10.0	1.0
CT1210F-2R8M	2.80	5.60	6.40	20	12.3	10.0	0.9
CT1210F-3R3M	3.30	6.80	7.70	16	11.2	10.0	0.8
CT1210F-4R7M	4.70	8.80	10.00	15	10.0	10.0	0.8



PHYSICAL DIMENSIONS

Size	A	B	C	D
mm	12.3 \pm 0.5	10.2 \pm 0.5	3.4 \pm 0.5	8.0 \pm 0.5
inches	0.484 \pm 0.02	0.402 \pm 0.02	0.134 \pm 0.02	0.315 \pm 0.02

CHARACTERISTICS

Description: DIP (shielded) power inductors

Applications: Motherboards for laptop and desktop computers & DC/DC converters

Operating Temperature: -25°C to +125°C

Inductance Tolerance: $\pm 20\%$

Testing: Inductance tested at 100kHz, 0.1V

Packaging: Bulk packaged

Marking: Marked with inductance code

Isat: The value of current indicates that inductance drops 20% typ. from it's initial value without DC current.

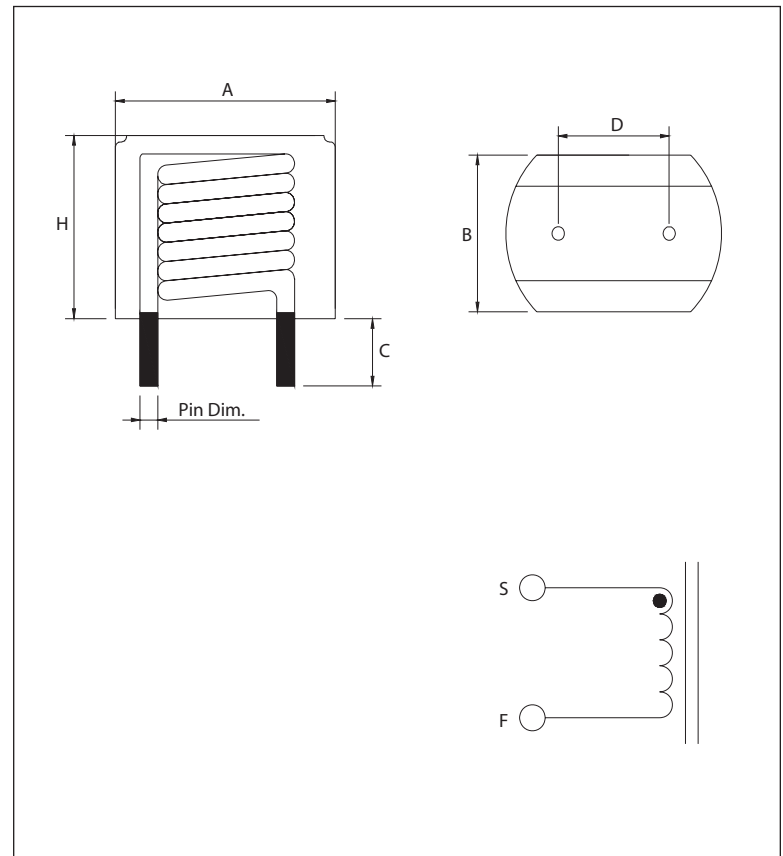
Irms: The value of current indicates that the temperature of the coil increases 40°C typ.

Features:

- * Shielded construction
- * High current rating up to 38Adc
- * High frequency range up to 500kHz
- * Very low DC resistance
- * Low noise

Miscellaneous: RoHS Compliant.

Samples available. See website for ordering information.



04.22.09