



CS22210 Data Sheet

Wireless PCI/USB Controller

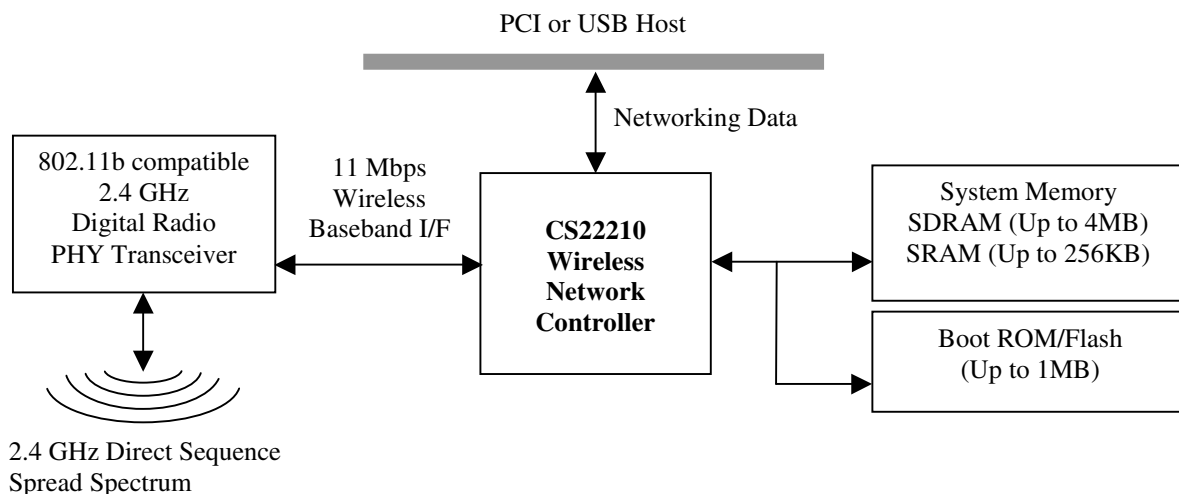
1 Description

The Cirrus Logic CS22210 Wireless Network Controller enables high speed, 11 Mbps digital wireless data connectivity for wireless data connectivity for PCI, mobile, embedded systems and other cost sensitive applications.

The CS22210 is a highly integrated single-chip PCI / USB solution for wireless networks supporting video, audio, voice, and data traffic. The programmable controller executes Cirrus Logic's Whitecap™2 networking protocol that provides Wi-Fi™ (802.11b) compliance as well as multimedia and quality of service (QoS) support. The device includes several high performance components including an ARM7TDMI RISC processor core, a Forward Error Correction (FEC) codec and a wireless Radio MAC supporting up to 11 Mbps throughput. The CS22210 is designed to support both a standard PCI 2.1 or PCI 2.2 compliant interface or USB 1.1 compliant device interface making it an ideal choice for cost effective standalone and embedded high-speed wireless networking products.

The CS22210 utilizes state-of-the-art 0.18um CMOS process and is housed in a 208 MQFP package designed to provide integrated low cost IEEE 802.11 standard compliant system solutions. The core is powered at 1.8 V to reduce overall power consumption. In addition, the CS22210 supports various power management modes for host, MAC, baseband, and radio interfaces.

Figure 1. Example System Block Diagram



2 Features

Embedded ARM Core and System Support Logic

- High performance ARM7TDMI RISC processor core at 77MHz
- 4KB integrated, one-way set associative, unified, write through cache
- Individual interrupt for each functional block
- Two 23-bit programmable (periodic or one-shot) general purpose timers
- 8 Dword (32-bits) memory write and read buffers for high system performance
- Abort cycle detection and reporting for debugging
- ARM performance monitoring function for system fine-tuning
- Programmable performance improvement logic based on system configuration
- Flexible independent DMA engines for PCI, USB and digital radio functional units

Enhanced Memory Controller Unit

- Programmable memory controller unit supporting SDRAM /async SRAM/boot ROM interface
- 16-bit data bus with 12-bit address supporting up to 4MB at up to 103MHz SDRAM
- 8-bit data bus with addressing support up to 1MB of boot ROM/Flash
- Programmable SDRAM timing and size parameters such as CAS latencies and number of banks columns and rows

FEC codec

- High performance Reed-Solomon coding for error correction (255:239 block coding)
- Reduces symbol error probability of a typical 10e-3 error rate environment to 10e-9
- Programmable rate FEC engine to optimize channel efficiency
- Low latency, fully pipelined hardware encoding and decoding. Support byte wise single cycle throughput up to 77MHz, with a sustain rate of 77MBps.
- Double buffering (64 Dword read/write buffer) to enhance system performance
- On the fly configuration of encoder and decoder

Digital Wireless Radio MAC

- Standard interface to 802.11b radio baseband transceiver
- 11Mbps data rate
- 32 Dword transmit/receive FIFO
- Supports clear channel assessment (CCA)

Power Management

- Host (PCI or USB) ACPI compliant
- Remote USB host wakeup
- Supports variable rate radio transmit, receive and standby radio power modes through two DACs

Clock and PLL Interface

- Single 44MHz crystal oscillator reference clock for PCI version; 48MHz reference clock required in USB option
- Internal PLL to generate internal and on board clocks

PCI Controller Interface

- 33MHz 5V/3.3V PCI 2.1 and PCI 2.2 compliant master/target 32-bit data interface
- ARM communication with PCI controller through simple mailbox scheme
- Generic PCI controller programming interface
- Flexible configuration programming via EEPROM

USB Controller Interface

- 12 Mbps USB 1.1 compliant device
- Supports 1 to 16 endpoints; endpoints can be bulk, isochronous or interrupt
- Variable endpoint buffer depths providing maximum flexibility for endpoint configurations
- Flexible configuration programming via EEPROM or firmware download
- Remote host wakeup

Chip Processing and Packaging

- 208 MQFP package and 0.18 um state of the art CMOS process
- 1.8 V core for low power consumption; 3.3V I/O and 5V tolerant

IMPORTANT NOTICE

"Preliminary" product information describes products that are in production, but for which full characterization data is not yet available. "Advance" product information describes products that are in development and subject to development changes. Cirrus Logic, Inc. and its subsidiaries ("Cirrus") believe that the information contained in this document is accurate and reliable. However, the information is subject to change without notice and is provided "AS IS" without warranty of any kind (express or implied). Customers are advised to obtain the latest version of relevant information to verify, before placing orders, that information being relied on is current and complete. All products are sold subject to the terms and conditions of sale supplied at the time of order acknowledgment, including those pertaining to warranty, patent infringement, and limitation of liability. No responsibility is assumed by Cirrus for the use of this information, including use of this information as the basis for manufacture or sale of any items, or for infringement of patents or other rights of third parties. This document is the property of Cirrus and by furnishing this information, Cirrus grants no license, express or implied under any patents, mask work rights, copyrights, trademarks, trade secrets or other intellectual property rights. Cirrus owns the copyrights of the information contained herein and gives consent for copies to be made of the information only for use within your organization with respect to Cirrus integrated circuits or other parts of Cirrus. This consent does not extend to other copying such as copying for general distribution, advertising or promotional purposes, or for creating any work for resale.

An export permit needs to be obtained from the competent authorities of the Japanese Government if any of the products or technologies described in this material and controlled under the "Foreign Exchange and Foreign Trade Law" is to be exported or taken out of Japan. An export license and/or quota needs to be obtained from the competent authorities of the Chinese Government if any of the products or technologies described in this material is subject to the PRC Foreign Trade Law and is to be exported or taken out of the PRC.

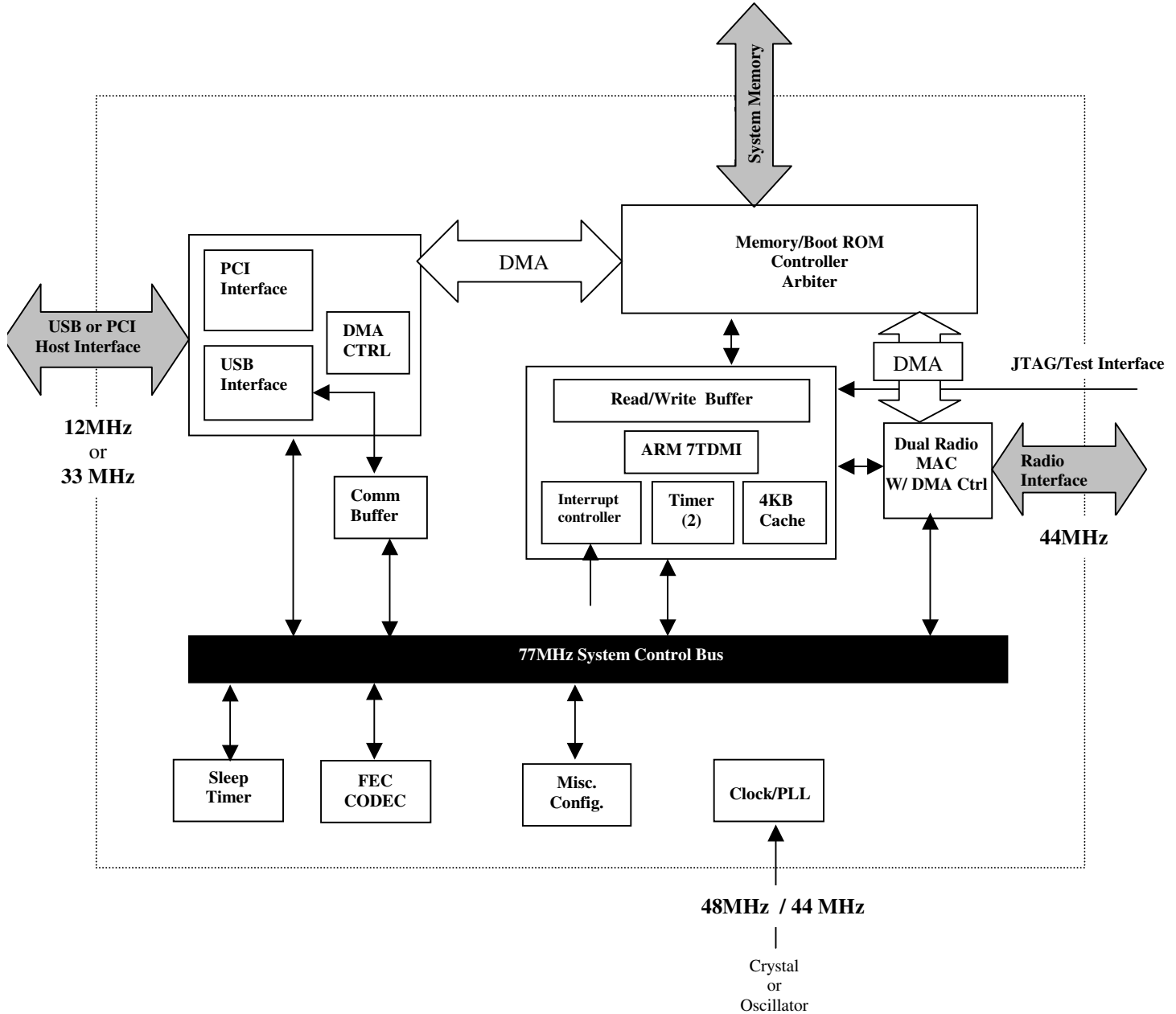
CERTAIN APPLICATIONS USING SEMICONDUCTOR PRODUCTS MAY INVOLVE POTENTIAL RISKS OF DEATH, PERSONAL INJURY, OR SEVERE PROPERTY OR ENVIRONMENTAL DAMAGE ("CRITICAL APPLICATIONS"). CIRRUS PRODUCTS ARE NOT DESIGNED, AUTHORIZED, OR WARRANTED TO BE SUITABLE FOR USE IN LIFE-SUPPORT DEVICES OR SYSTEMS OR OTHER CRITICAL APPLICATIONS. INCLUSION OF CIRRUS PRODUCTS IN SUCH APPLICATIONS IS UNDERSTOOD TO BE FULLY AT THE CUSTOMER'S RISK.

Cirrus Logic, Cirrus, and the Cirrus Logic logo designs are trademarks of Cirrus Logic, Inc. All other brand and product names in this document may be trademarks or service marks of their respective owners.

Use of this product in any manner that complies with the MPEG-2 video standard as defined in ISO documents IS 13818-1 (including annexes C, D, F, J, and K), IS 13818-2 (including annexes A, B, C, and D, but excluding scalable extensions), and IS 13818-4 (only as it is needed to clarify IS 13818-2) is expressly prohibited without a license under applicable patents in the MPEG-2 patent portfolio, which license is available from MPEG LA, L.L.C. 250 Steele Street, Suite 300, Denver, Colorado 80296.

3 Functional Description

Figure 2. Block Diagram of Major Functional Units



3.1 Embedded ARM Core and System Support Logic

The processing elements of the CS22210 include the ARM7TDMI core and its associated system control logic. The ARM processor and system controller consist of a memory management unit, 4-KB write through cache controller, 20 IRQ and 4 FIRQ interrupt controller, and 2 general purpose timers. The ARM processor and integrated system support logic provide the necessary execution engine to support a real time multi-tasking operating system, the network protocol stack, and firmware services. In addition, system performance monitor logic is included to aid in system performance fine-tuning (e.g. cache hit, CPI numbers).

Memory Management Unit

ARM instructions and data are fetched from system memory a cache-line (4/8 – Dwords /Programmable) at a time when caching is turned on. During a cache line fill, critical word data, i.e., the access that caused the miss, is forwarded to the ARM and also written into the data RAM cache. The non-critical words in the line fetched following the critical word are then written to the cache on a Dword basis, as they become available.

Memory writes are posted to dual 4-Dwords (32-bit) memory write posting buffers. Write posts use the sequential addressing feature on the memory bus. With dual buffering an out of sequence write will post to one write buffer while the other buffer is flushed to memory.

There is one 8Dword Read Buffer in the MEM block. The buffer is used for both cacheable and non-cacheable memory space.

Interrupt Controller

The interrupt controller provides two interrupt channels to the ARM processor. One interrupt channel is presented to the ARM on its *nFIQ*, and the other channel is presented on its *nIRQ* pin. These are referred to as the FIQ channel and the IRQ channel. Both channels operate in identical but independent fashion. The FIQ channel has a higher priority on the ARM processor than the IRQ channel.

The interrupt controller includes a CONTROL register for each logical interrupt in the ARM complex. The CONTROL register serves the following main purposes:

- Provides the mapping between the EXT_INT inputs (physical interrupts) and the logical interrupt
- Selects the particular type of signaling expected on the EXT_INT inputs: level, edge, active level high/low etc.
- Enables or disable a logical interrupt

3.2 Digital Wireless Radio Interface

The CS22210 digital radio MAC I/F supports multiple radio baseband and RF interfaces. The baseband registers can be programmed during the configuration time using the control port interface. The MAC also provides the capability of programming the signal, service and length on per packet basis without ARM intervention. This significantly improves the performance of the system.

There are three primary digital interface ports for the CS22210 that are used for configuration and during normal operation.

These ports are:

- The Control Port, which is used to configure, set power consumption modes, write and/or read the status of the radio base band registers.
- The TX Port, which is used to output the data that needs to be transmitted from the network processor.
- The RX Port, which is used to input the received demodulated data to the network processor.

3.3 FEC Codec

The FEC codec performs Reed-Solomon code encoding to protect the data before it is transmitted to a noisy channel. It is a similar code as employed by digital broadcast industry, such as ITU-T J.83 for DVB. The RS(255, 239) code implemented by the SWG2710 can reduce error probability to $1/10e-9$ in a typical $1/10e-3$ error rate environment. The encoder/decoder can be programmed to vary the coding block length (N) and correctable error (t) to optimize the tradeoff between channel utilization and data protection. The range of N is currently set to be from 50 to 255, and the t is 8. The symbol size is fixed at 8 bits.

Coding parameters can be set real time, allowing maximum flexibility for the system to adjust the FEC setting, such as block size, in order to optimize channel efficiency. The encoder also has a very low latency of two cycles. Both the encoder and decoder are fully pipelined in structure to achieve single cycle throughput. The FEC can be disabled in firmware.

3.4 Programmable Memory Controller

The CS22210 incorporates a general purpose memory controller that supports a SDRAM/async SRAM memory and FLASH memory interface.

In the RAM configuration, the system memory interface supports up to 16-Mbyte of 16-bit SDRAM running at a frequency up to 103 MHz single-state access cycles or 256KB of 16 bit async SRAM. The memory controller provides programming of SDRAM parameters such as CAS latency, refresh rate etc; these registers are located in miscellaneous configuration registers. When there are no pending memory requests from any internal requester, the CS22210 will keep Clock Enable (CKE) signal low to cause the SDRAM to stay in power down mode. Once a memory request is active, the CS22210 will assert CKE high to cause the SDRAM to come out of power down mode. Typically, this can reduce memory power consumption by up to 50%.

In ROM configuration, firmware for CS22210 is stored in non-volatile memory and is accessed through the Boot ROM interface. The maximum addressable ROM space supported is 1MB. ROM read/write and output enable are shared with RAM control pins. The ROM can be re-flashed allowing for software upgrades.

3.5 PCI Controller Interface

Embedded in the CS22210 is a PCI 2.1 / PCI 2.2 fully compliant master/target 32 bit data interface including power management support (PME signal). The communication buffer logic was designed to be flexible and generic to both the PC software and ARM firmware.

The control communication between PCI and ARM uses a mailbox mechanism. The PCI writes data into a Dword mailbox register whereby an interrupt is generated to the ARM. The ARM reads this register to get the control information whereby an interrupt is generated to the PCI. The same is true from the ARM writing to a ARM mailbox register.

PCI data transfer is supported by a DMA Control Block (DCB). The DCB is configured by the ARM, allowing the ARM to control how often it is interrupted. PCI data transfers are done by the PCI master and the DCB offloading CPU overhead.

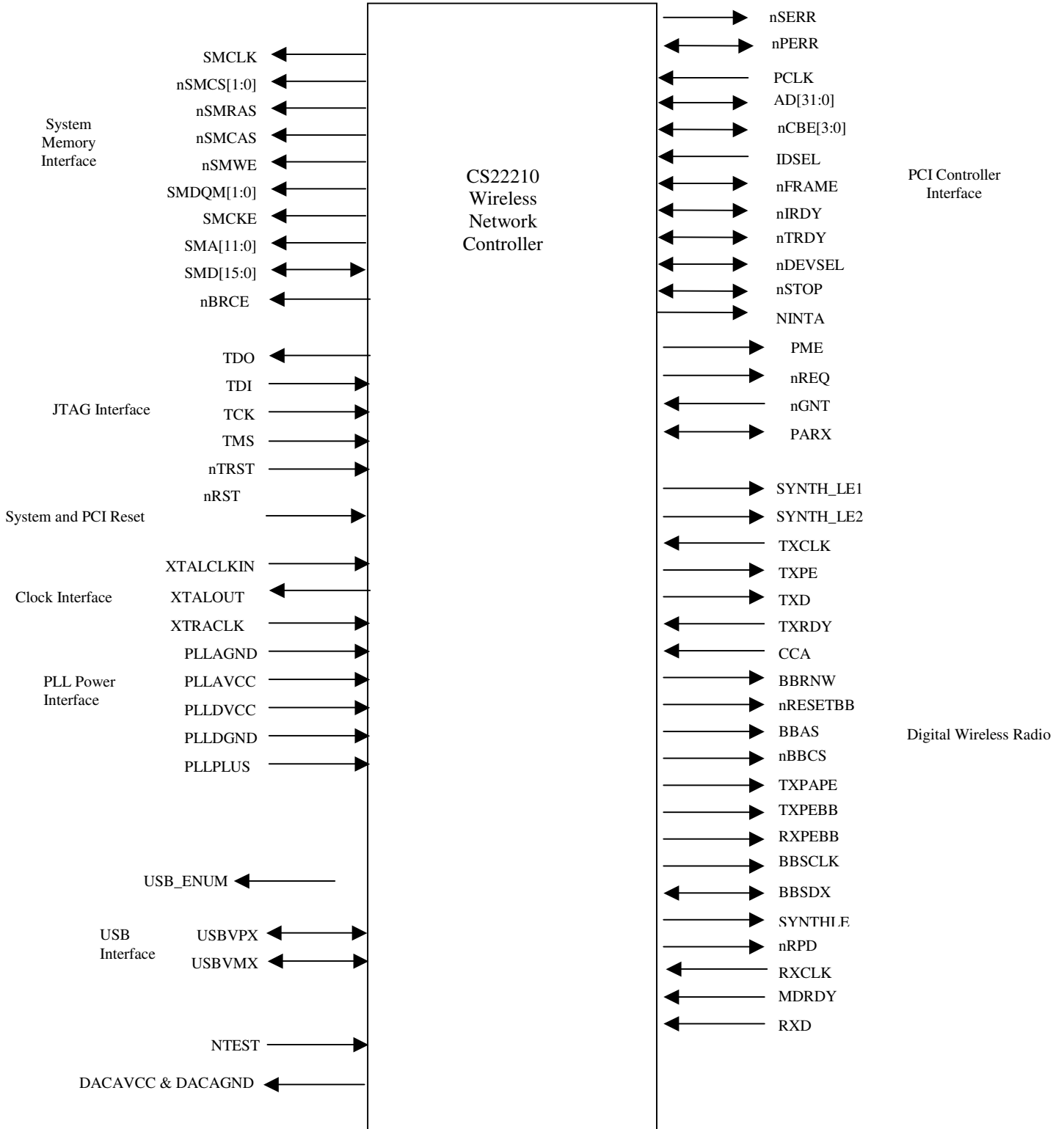
3.6 USB Interface

Embedded within the CS22210 is a full speed USB 1.1 compliant device interface. The device supports from 1 to 16 endpoints and is completely programmable via firmware download or external EEPROM.

All "setup" commands are passed to the system processor for interpretation. The device also contains a DMA engine to transfer arbitrary amounts of data to and from main memory before interrupting the system processor.

4 Pinout and Signal Descriptions

Figure 3. CS22210 Logical Pin Groupings (note: not all signals are shown)



This section provides detailed information on the CS22210 signals. The signal descriptions are useful for hardware designers who are interfacing the CS22210 with other devices.

System Memory Interface

The system memory interface supports standard SDRAM interface, async SRAM and FLASH. There are total of 37 signals in this interface.

SMCLK	Output
System mem clock for SDRAM. Currently the interface supports 103 MHz for a maximum bandwidth of 200Mbytes/sec.	
nSMCS0	Output
Chip select bit 0. This signal is used to select or deselect the SDRAM for command entry. When SMNCS is low it qualifies the sampling of nSMRAS, nSMCAS and nSMWE. Also used as testmode(2) when NTEST pin is '0'.	
nSMCS	Output
Chip select bit 1.	
nBRCE	Output
Chip select for ROM access. This signal is used to select or deselect the boot ROM memory.	
nSMRAS	Output
Row address select. Used in combination with nSMCAS, nSMWE and nSMCS to specify which SDRAM page to open for access. Also used during reset to latch in the strap value for clk_bypass; if set to a '1' implies bypassing clock module; whatever clk is applied on the input clock is used for memclk and ctclk. Also shared as the ROMOE signal.	
NSMCAS	Output
Column address select. Used in combination with nSMRAS, nSMWE and nSMCS to specify which piece of data to access in selected page. Also used during reset to latch in the strap value for same_freq; if set to a '1' implies internal mem_clk and arm_clk are running at the same frequency and 180 degrees out of phase.	

nSMWE	Output
<p>Write enable is used in combination with nSMRAS, nSMCAS, and nSMWE to specify whether the current cycle is a read or a write cycle. Also used during reset to latch in the strap value for tst_bypass; if set to a '1' implies PLL bypass. Also shared as the ROMWE to do flash programming.</p>	
SMDQM[1:0]	Output
<p>Data mask bit 1:0. These signals function as byte enable lines masking unwanted bytes on memory writes. Also used as testmode(1:0) when NTEST pin is '0'.</p>	
SMCKE	Output
<p>Clock enable. SMCKE is used to enable and disable clocking of internal RAM logic.</p>	
SMA0	Output
<p>Address bit0. The address bus specifies either the row address or column address. Also shared as boot-rom address bit0. This pin should be pull-down.</p>	
SMA1	Output
<p>Address bit1. Also shared as boot-rom address bit1. Also used during reset to latch in the strap value for pcisel; if set to a '1' implies pci mode.</p>	
SMA2	Output
<p>Address bit2. Also shared as boot-rom address bit2. Also used during reset to latch in the strap value for usbsel; if set to a '1' implies usb mode.</p>	
SMA3	Output
<p>Address bit3. Also shared as boot-rom address bit3. This pin should be pull-down.</p>	
SMA4	Output
<p>Address bit4. Also shared as boot-rom address bit4. Also used during reset to latch in the strap value for romcfg; if set to a '1' implies pci configuration data should be downloaded from ROM.</p>	
SMA5	Output
<p>Address bit5. Also shared as boot-rom address bit5. Also used during reset to latch in the strap value for test_rst_enb; if set to a '0' implies normal operation mode.</p>	

SMA6	Output
Address bit6. Also shared as boot-rom address bit6. Also used during reset to latch in the strap value for freq_sel(0). Freq_sel(2:0) is used to select the multiplication factor for the internal PLL (000=1x, and 111=8x).	
SMA7	Output
Address bit7. Also shared as boot-rom address bit7. Also used during reset to latch in the strap value for freq_sel(1). Freq_sel(2:0) is used to select the multiplication factor for the internal PLL (000=1x, and 111=8x).	
SMA8	Output
Address bit8. Also shared as boot-rom address bit8. Also used during reset to latch in the strap value for freq_sel(2). Freq_sel(2:0) is used to select the multiplication factor for the internal PLL (000=1x, and 111=8x).	
SMA9	Output
Address bit9. Also shared as boot-rom address bit9. Also used during reset to latch in the strap value for sdram_delay(0). Sdram_delay(2:0) is used to select the delay factor for the internal memory clock (000=0ns, and 111=1.75ns with each .25ns increments).	
SMA10	Output
Address bit10. Also shared as boot-rom address bit10. Also used during reset to latch in the strap value for sdram_delay(1). Sdram_delay(2:0) is used to select the delay factor for the internal memory clock (000=0ns, and 111=1.75ns with each .25ns increments).	
SMA11	Output
Address bit11. Also shared as boot-rom address bit11. Also used during reset to latch in the strap value for sdram_delay(2). Sdram_delay(2:0) is used to select the delay factor for the internal memory clock (000=0ns, and 111=1.75ns with each .25ns increments).	
SMD[7:0]	Bi-directional
Data bus. The data bus contains the data to be written to memory on a write cycle and the read return data on a read cycle.	
SMD[15:8]	Bi-directional
Shared data bus. The data bus contains the data to be written to RAM memory on a write cycle and the read return data on a read cycle. Data bit [15:8] is also shared as boot ROM address bit [19:12].	

Digital Wireless Radio Interface

All radio input buffers are Schmitt triggered input buffers. There are total of 21 signals in this interface.

TXCLK Input

Transmit clock is a clock input from the radio baseband processor. This signal is used to clock out the transmit data on the rising edge of TXCLK.

TXPEBB Output

Baseband transmit power enable, an output from the MAC to the radio baseband processor. When active, the baseband processor transmitter is configured to be operational, otherwise the transmitter is in standby mode.

TXD Output

It is the serial data output from the MAC to the radio baseband processor. The data is transmitted serially with the LSB first. The data is driven by the MAC on the rising edge of TXCLK and is sampled by the radio baseband processor on the falling edge of TXCLK (in 3824 mode) and rising edge of TXCLK (in 3860B mode).

TXRDY Input

Transmit data ready is an input to the MAC from the radio baseband processor to indicate that the radio baseband processor is ready to receive the data packet over the TXD signal. The signal is sampled by the MAC on the rising edge of TXCLK.

CCA Input

Clear channel assessment is an input from the radio baseband processor to signal that the channel is clear to transmit. When this signal is a 0, the channel is clear to transmit. When this signal is a 1, the channel is not clear to transmit. This helps the MAC to determine when to switch from receive to transmit mode.

BBRNW Output

Baseband read/write is an output from the MAC to indicate the direction of the SD bus when used for reading or writing data. This signal has to be set up to the rising edge of BBSCLK for the baseband processor and is driven on the falling edge of BBSCLK.

NRESETBB Output

Baseband reset is an output of the MAC to reset the baseband processor.

BBAS	Output
<p>Baseband address strobe is used to envelop the address or the data on the BBSDX bus. Logic 1 envelops the address and a logic 0 envelops the data. This signal has to be set up to the rising edge of BBSCLK for the baseband processor and is driven on the falling edge of BBSCLK.</p>	
NBBCS	Output
<p>Baseband chip select is an active low output to activate the serial control port. When inactive the SD, BBSCLK, BBAS and BBRNW signals are 'don't cares'.</p>	
TXPAPE	Output
<p>Radio power amplifier power enable is a software-controlled output. This signal is used to gate power to the power amplifier.</p>	
TXPE	Output
<p>Radio transmit power enable indicates if transmit mode is enabled. When low, this signal indicates receive mode.</p>	
RXPEBB	Output
<p>Baseband receive power enable is an output that indicates if the MAC is in receive mode. This output to the baseband processor enables receive mode in baseband processor.</p>	
BBSCLK	Output
<p>Baseband serial clock is a programmable output generated by dividing ARM_CLK by 14 (default). This clock is used for the serial control port to sample the control and data signals.</p>	
BBSDX	Bi-directional
<p>Baseband serial data is a bi-directional serial data bus, which is used to transfer address and data to/from the internal registers of the baseband processor.</p>	
SYNTHLE	Output
<p>Synthesizer latch enable is an active high signal used to send data to the synthesizer.</p>	
SYNTH_LE1	Output
<p>Synthesizer latch enable is an active high signal used to send data to the synthesizer (RF LE).</p>	
SYNTH_LE2	Output
<p>Synthesizer latch enable is an active high signal used to send data to the synthesizer (IF LE).</p>	

NRPD	Output
Radio power down enable is an active low signal used for power management purposes for the radio circuitry.	
RXCLK	Input
This is an input from baseband processor. It is used to clock in received data from baseband processor.	
MDRDY	Input
Receive data ready is an input signal from the baseband processor, indicating a data packet is ready to be transferred to the MAC. The signal returns to inactive state when there is no more receiver data or when the link has been interrupted. This signal is sampled on the falling edge of RXCLK (in 3824 mode), and sampled at rising edge of RXCLK (in 3860B mode).	
RXD	Input
Receive data is an input from the baseband processor transferring demodulated header information and data in a serial format. The data is frame aligned with MD_RDY. This signal is sampled on the falling edge of RXCLK (in 3824 mode), and sampled at rising edge of RXCLK (in 3860B mode).	
DACAVCC	Input
Analog power for DAC. 3.3V input.	
DACAGND	Input
Analog ground for DAC.	
RLQ	Output
Radio link quality based on packet error rate. Active low implies the packet was received without errors. <i>Note: Lost packets are not detected.</i>	

PLL and Clock Interface

There are three clock pins and five PLL power pins. Total of 8 signals in this interface.

XTAL_CLKIN		Input
	44 MHz reference clock input/crystal clock input for PCI and 48 MHz for USB.	
XTALOUT		Output
	Reference crystal clock output.	
XTRACLK		Input
	Second clock input to clock module. This input allows independent control for mem_clk and ctl_clk. The usage of this clock input is determined by the clk module configuration, which is determined by the three strapping input pin values.	
PLLAGND		Input
	Analog PLL ground.	
PLLAVCC		Input
	Analog PLL power. 3.3V input.	
PLLDGND		Input
	Digital PLL ground.	
PLLDVCC		Input
	Digital PLL power. 1.8V input.	
PLLPLUS		Input
	Analog PLL ground.	

PCI Interface

The PCI interface is a standard 2.2 compliant interface. There are a total of 51 signals.

AD[31:0]		Bi-directional
	PCI address/data. This bus contains a physical address during the first clock of a PCI transfer and data during subsequent clocks. The signals are inputs during the address and write data phases of a transaction, or outputs during the read data phase of a transaction.	

nCBE[3:0]	Bi-directional
Control/byte enable. This bus defines the bus command during the first clock of a PCI transaction and the data byte enables during subsequent clocks.	
IDSEL	I/O OD
PCI initialization device select. Used as a chip select during configuration read and write cycles.	
nFRAME	Bi-directional
PCI cycle frame. This signal marks the beginning and duration of a current bus cycle.	
NIRDY	Bi-directional
PCI initiator ready. IRDY holds off the beginning of a write cycle and the completion of a read cycle until sampled active.	
nTRDY	Bi-directional
PCI target ready. This signal is driven active to indicate that write data has been sampled or that read data has been delivered.	
nDEVSEL	Bi-directional
PCI device select. As a medium speed device, this signal is driven active two PCI clocks after NFRAME is sampled active, indicating a positive decode. It remains active until the end of the transaction.	
nSTOP	Bi-directional
PCI stop. This signal indicates a target initiated termination of the current cycle.	
nINTA	Output/Open Drain
PCI interrupt request A. Generates an interrupt on the PCI bus.	
PCLK	I/O OD
PCI clock. Typically a 33 MHz. All CS22210 PCI activity is synchronous to PCLK.	
nPERR	Bi-directional
PCI parity error. This signal is asserted two clocks after a data parity error is detected on the PCI bus.	

nSERR Output/Open Drain

PCI system error. This open drain signal is used to indicate a fatal parity error on PCI address.

nREQ Input

PCI master request. Used by the PCI master to indicate it needs to drive the PCI bus.

nGNT Bi-directional

PCI master grant. Used by the PCI master to indicate OK to drive the PCI bus.

PAR Bi-directional

PCI parity. This signal is asserted one clock after data transfer has occurred on the PCI bus.

PME Output/Open Drain

Power management event. Use to let the system knows a change in power management event has occurred.

System Reset

nRST Input

System reset and PCI reset. Reset is an asynchronous signal that forces the chip to go to a known state. This is an active low signal.

USB Interface

USBVP Bi-directional

Differential USB data plus. For high-speed mode, this signal is pull up to 5 volt during IDLE state (see USB_ENUM).

USBVM Bi-directional

Differential USB data minus.

USB_ENUM Output

USB enumeration. Indicates a disconnect/connect event. USB_ENUM is used to pull the D+ line high, indicating to the host or hub a USB bus “full rate” connection is active.

Debug Interface

TDO		Output
	Test data output.	
TDI		Input
	Test data input. The input has an integral pull up.	
TCK		Input
	Test clock signal.	
TMS		Input
	Test mode select. The input has an integral pull up.	
nTRST		Input
	Test interface reset. The input has an integral pull up.	

Miscellaneous Interface

SPIO 8,9,12,13,16		Bi-directional
	Special purpose I/O reserved for supporting custom interfaces. <i>* Check with Cirrus Logic support for supported options and usage.</i>	
nTEST		Input
	Chip test mode pin. Used in conjunction with SMNCS0, SMDQM[0:1]. Pull up for normal operation.	

Power and Ground

VCC (5V and 3.3V) ¹		Input
	5V inputs. There are a total of 3 pins.	
VDD (3.3V)		Input
	3.3V inputs. There are a total of 26 pins.	
VEE (1.8V)		Input
	1.8 inputs to the core. There are a total of 9 pins.	
VSS		Input
	Ground. There are a total of 33 pins.	

¹ 5V or 3.3V depending on desired PCI configuration
CS22210 PCI/USB Wireless Controller

Figure 4. CS22210 208 pin MQFP Pinout Diagram

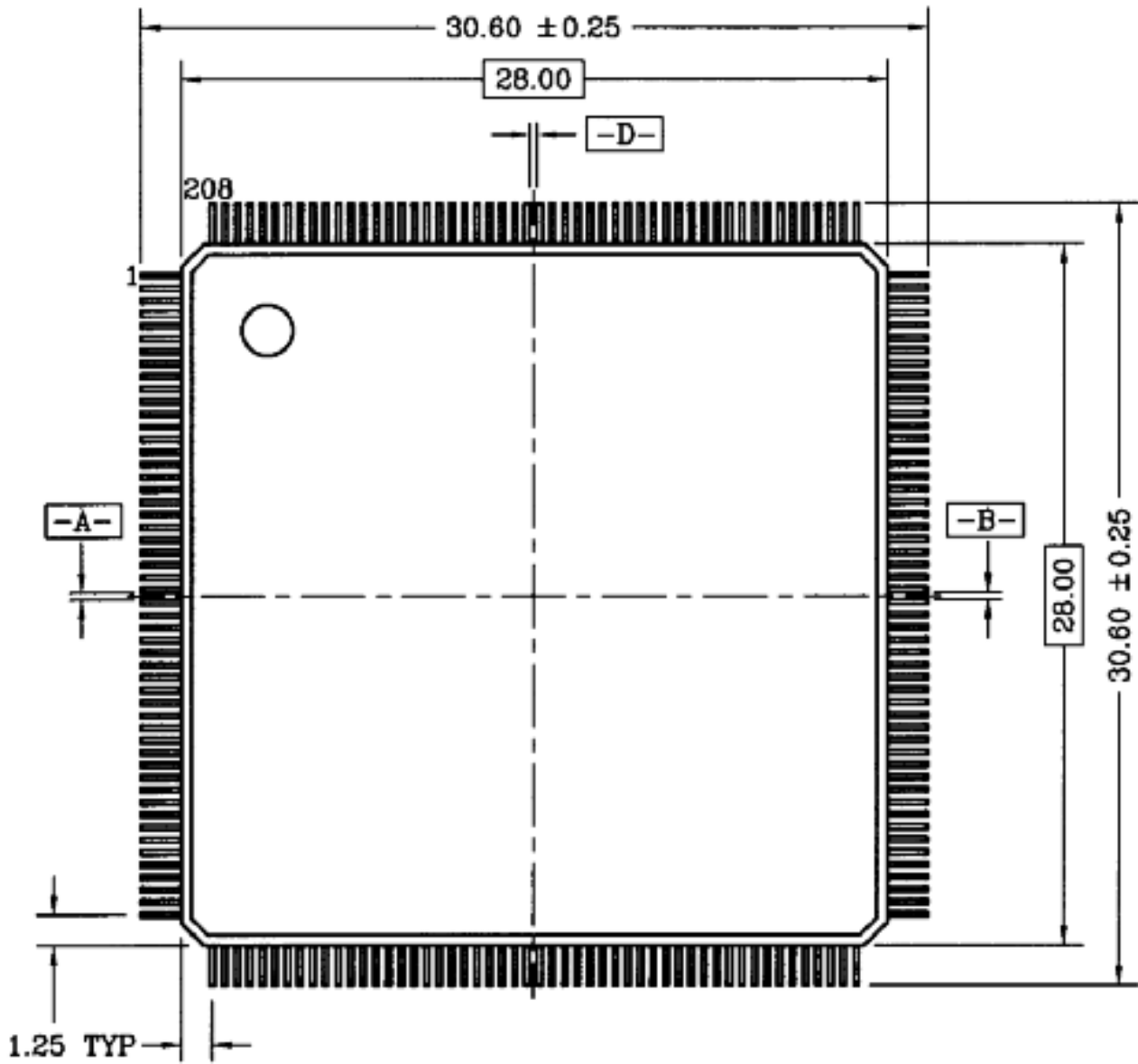


Table 1. Pin Listing by pin number

pin	name	pin	name	pin	name	pin	name
1	VCC	46	AD13	91	SMD06	136	NRESETBB
2	AD29	47	AD12	92	SMD07	137	BBAS
3	AD28	48	VSS	93	SMD08	138	VDD
4	AD27	49	AD11	94	VSS	139	MDRDY
5	AD26	50	AD10	95	SMD09	140	RXD
6	VDD	51	AD09	96	SMD10	141	RXCLK
7	AD25	52	VCC	97	SMD11	142	VSS
8	VSS	53	VDD	98	VDD	143	RLQ
9	AD24	54	AD08	99	SMD12	144	USB_ENUM
10	NCBE03	55	NCBE00	100	SMD13	145	RXPBB
11	IDSEL	56	VSS	101	SMD14	146	TXPAPE
12	VDD	57	AD07	102	VSS	147	TXPBB
13	AD23	58	AD06	103	SMD15	148	VDD
14	AD22	59	AD05	104	SMA00	149	TXCLK
15	VSS	60	VDD	105	SMA01	150	TXRDY
16	AD21	61	AD04	106	VSS	151	TXD
17	AD20	62	AD03	107	SMA02	152	VSS
18	AD19	63	VSS	108	SMA03	153	TXPE
19	VDD	64	AD02	109	SMA04	154	CCA
20	AD18	65	AD01	110	VDD	155	VDD
21	AD17	66	AD00	111	SMA05	156	RNPD
22	VSS	67	SMNCS00	112	SMA06	157	PLLDVCC
23	AD16	68	SMNCS01	113	SMA07	158	PLLDGND
24	VEE	69	VDD	114	VSS	159	PLLAVCC
25	NCBE02	70	SMDQM00	115	SMA08	160	PLLAGND
26	VSS	71	SMDQM01	116	SMA09	161	PLLPLUS
27	VEE	72	VSS	117	VDD	162	VDD
28	VSS	73	SMNCAS	118	SMA10	163	XTALCLKIN
29	VCC	74	SMCKE	119	SMA11	164	XTALOUT
30	NFRAME	75	SMD00	120	SMNWE	165	VSS
31	VDD	76	VDD	121	VSS	166	XTRACLK
32	NIRDYX	77	VSS	122	SMNRAS	167	DACAGND
33	NTRDY	78	VEE	123	NBRCE	168	RSVD
34	VSS	79	VEE	124	NTEST	169	RSVD
35	NDEVSEL	80	VSS	125	VSS	170	RSVD
36	NSTOP	81	VDD	126	VEE	171	RSVD
37	NPERR	82	SMD01	127	VSS	172	DACAVDD
38	VDD	83	SMD02	128	VEE	173	VDD
39	NSERR	84	VSS	129	BBNCS	174	VDD
40	PAR	85	SMD03	130	BBSCLK	175	NTRST
41	VSS	86	SMD04	131	VDD	176	TMS
42	NCBE01	87	SMD05	132	BBSDX	177	VSS
43	AD15	88	SMCLK	133	SYNTHLE	178	TDI
44	AD14	89	VSS	134	VSS	179	TDO
45	VDD	90	VDD	135	BBRNW	180	VDD

ball	name	ball	name	ball	name	ball	name
181	TCK	188	VSS	195	RSVD_0	202	NREQ
182	VSS	189	USBVP	196	PME	203	VDD
183	VEE	190	RSVD	197	VDD	204	AD31
184	VSS	191	USBVM	198	NINTA	205	NRST
185	VEE	192	RSVD	199	PCLK	206	AD30
186	VEE	193	SYNTH_LE1	200	VSS	207	VSS
187	VSS	194	VDD	201	NGNT	208	SYNTH_LE2

Table 2. Pin Listing by Name

pin	name	pin	name	pin	name	pin	name
66	AD00	55	NCBE00	116	SMA09	29	VCC
65	AD01	42	NCBE01	118	SMA10	52	VCC
64	AD02	25	NCBE02	119	SMA11	6	VDD
62	AD03	10	NCBE03	74	SMCKE	12	VDD
61	AD04	35	NDEVSEL	88	SMCLK	19	VDD
59	AD05	30	NFRAME	75	SMD00	31	VDD
58	AD06	201	NGNT	82	SMD01	38	VDD
57	AD07	198	NINTA	83	SMD02	45	VDD
54	AD08	32	NIRDYX	85	SMD03	53	VDD
51	AD09	37	NPERR	86	SMD04	60	VDD
50	AD10	202	NREQ	87	SMD05	69	VDD
49	AD11	136	NRESETBB	91	SMD06	76	VDD
47	AD12	205	NRST	92	SMD07	81	VDD
46	AD13	39	NSERR	93	SMD08	90	VDD
44	AD14	36	NSTOP	95	SMD09	98	VDD
43	AD15	124	NTEST	96	SMD10	110	VDD
23	AD16	33	NTRDY	97	SMD11	117	VDD
21	AD17	175	NTRST	99	SMD12	131	VDD
20	AD18	40	PAR	100	SMD13	138	VDD
18	AD19	199	PCLK	101	SMD14	148	VDD
17	AD20	160	PLLAGND	103	SMD15	155	VDD
16	AD21	159	PLLAVCC	70	SMDQM00	162	VDD
14	AD22	158	PLLDGND	71	SMDQM01	173	VDD
13	AD23	157	PLLDVCC	73	SMNCAS	174	VDD
9	AD24	161	PLLPLUS	67	SMNCS00	180	VDD
7	AD25	196	PME	68	SMNCS01	194	VDD
5	AD26	143	RLQ	122	SMNRAS	197	VDD
4	AD27	156	RNPD	120	SMNWE	203	VDD
3	AD28	169	RSVD	193	SYNTH_LE1	24	VEE
2	AD29	171	RSVD	208	SYNTH_LE2	27	VEE
206	AD30	190	RSVD	133	SYNTHLE	78	VEE
204	AD31	192	RSVD	181	TCK	79	VEE
137	BBAS	195	RSVD_0	178	TDI	126	VEE
129	BBNCS	141	RXCLK	179	TDO	128	VEE
135	BBRNW	140	RXD	176	TMS	183	VEE
130	BBSCCLK	145	RXPEBB	149	TXCLK	185	VEE
132	BBSDX	104	SMA00	151	TXD	186	VEE
154	CCA	105	SMA01	146	TXPAPE	8	VSS
167	DACAGND	107	SMA02	153	TXPE	15	VSS
172	DACAVDD	108	SMA03	147	TXPEBB	22	VSS
168	RSVD	109	SMA04	150	TXRDY	26	VSS
170	RSVD	111	SMA05	144	USB_ENUM	28	VSS
11	IDSEL	112	SMA06	191	USBVM	34	VSS
139	MDRDY	113	SMA07	189	USBVP	41	VSS
123	NBRCE	115	SMA08	1	VCC	48	VSS

ball	name	ball	name	ball	name	ball	name
56	VSS	94	VSS	134	VSS	187	VSS
63	VSS	102	VSS	142	VSS	188	VSS
72	VSS	106	VSS	152	VSS	200	VSS
77	VSS	114	VSS	165	VSS	207	VSS
80	VSS	121	VSS	177	VSS	163	XTALCLKIN
84	VSS	125	VSS	182	VSS	164	XTALOUT
89	VSS	127	VSS	184	VSS	166	XTRACLK

5 Specifications

Table 3. Absolute Maximum Ratings

Symbol	Parameter	Limits	Units
V_{EE}	Voltage at Core	1.62 to 2.0	V
V_{DD}	DC Supply (I/O)	-0.3 to 3.9	V
V_{in} (PCI)	PCI Voltage	-0.5 to 5.25	V
V_{IN}	Input Voltage	-0.1 to $V_{DD} + 0.33$	V
I_{IN}	DC Input Current	+/- 10	μA
XTALIN	Input frequency	0 to 60	MHz
T_{STGP}	Storage Temperature Range	-40 to 125	$^{\circ}C$

Notes:

1. XTALIN & XTALOUT pins have minimal ESD protection.
2. This device may have ESD sensitivity above 500V HBM per JESD22-A114. Normal ESD precautions need to be followed.

Table 4. Recommended Operating Conditions

Symbol	Parameter	Limits	Units
V_{DD} V_{CC} V_{EE}	DC Supply	3.0 to 3.60 (3V I/O) 4.5 to 5.5 (5V I/O) 1.6 to 2.0 (core)	V
XTALCLKIN	Input frequency	44 or 48	MHz
armclk	Internal ARM clock frequency	44(4x11) to 77	MHz
memclk	Internal Memory clock frequency	72 to 103	MHz
F_{TCK}	JTAG clock frequency	0 to 10	MHz
T_A	Ambient Temperature	0 to +70	$^{\circ}C$
T_J	Junction Temperature	0 to +105	$^{\circ}C$

Table 5. Capacitance

Symbol	Parameter	Value	Units
C_{IN}	Input Capacitance	3.4	pF
C_{OUT}	Output Capacitance	4.0	pF

Table 6. DC Characteristics

Symbol	Parameter	Condition	Min	Typ	Max	Units
V _{IL}	Voltage Input Low (PCI)		-0.5		0.8	V
V _{IL}	Voltage Input Low (non-PCI)		-0.33		0.3 * V _{DD}	V
V _{IH}	Voltage Input High (PCI)		2.0		V _{CC} + 0.5	V
V _{IH}	Voltage Input High (non-PCI)		0.7 * V _{DD}		V _{DD} + 0.33	V
V _{OL}	Voltage Output Low (PCI)	I _{OL} = 1500 μ A			0.55	V
V _{OL}	Voltage Output Low (non-PCI)	I _{OL} = 800 μ A	0		V _{SS} + 0.1	V
V _{OH}	Voltage Output High (PCI)	I _{OH} = -500 μ A	0.24			V
V _{OH}	Voltage Output High (non-PCI)	I _{OH} = 800 μ A	V _{dd} - 0.1		V _{dd}	V
I _{IL}	Input Leakage Current	V _{IN} = V _{SS} or V _{DD}	-10		10	μ A
I _{OZ}	3-State Output Leakage Current	V _{OH} = V _{SS} or V _{DD}	-10		10	μ A
I _{CC} & I _{DD} I _{EE}	Dynamic Supply Current Note 1	V _{CC & DD} = 5V & 3.3V V _{DD} = 1.8V		35 135		ma

5.1 AC Characteristics and Timing

Table 7. System Memory Interface Timing

Parameter	Parameter Description	Min	Max	Units
t _d SMD	SMCLK to SMD[31:0] output delay		7	ns
t _d SMA	SMCLK to SMA[11:0] output delay		4.7	ns
t _d SMDQM	SMCLK to SMDQM[3:0] output delay		5.1	ns
t _d SMNCS	SMCLK to SMNCS[1:0] output delay		4.1	ns
t _d SMNWE	SMCLK to SMNWE output delay		4.5	ns
t _d SMCKE	SMCLK to SMCKE output delay		4.3	ns
t _d SMNCAS	SMCLK to SMNCAS output delay		4.0	ns
t _d SMNRAS	SMCLK to SMNRAS output delay		5.0	ns
T _{per} SMCLK	SMCLK period	72	103	ns
T _{su} SMD	SMD[31:0] setup to SMCLK	1.0		ns
T _h SMD	SMD[31:0] hold from SMCLK	2.4		ns

Notes:

1. Outputs are loaded with 35pf on SMD, 25pf on SMA, SMDQM, SMNRAS, and SMNCAS and 20pf on SMCLK, SMNCS, and SMCKE.
2. An attempt has been made to balance the setup time needed by the SDRAM and the setup needed by CS22210 to read data. If there is a problem meeting setup on the SDRAM, there is a programmable delay line on SMCLK which can help meet the setup time. Care must be taken, however, not to violate the setup on the return read data. The delay can be increased by a multiple of 0.25ns by using the SMA[11:09] pins to selectively set the clock delay.

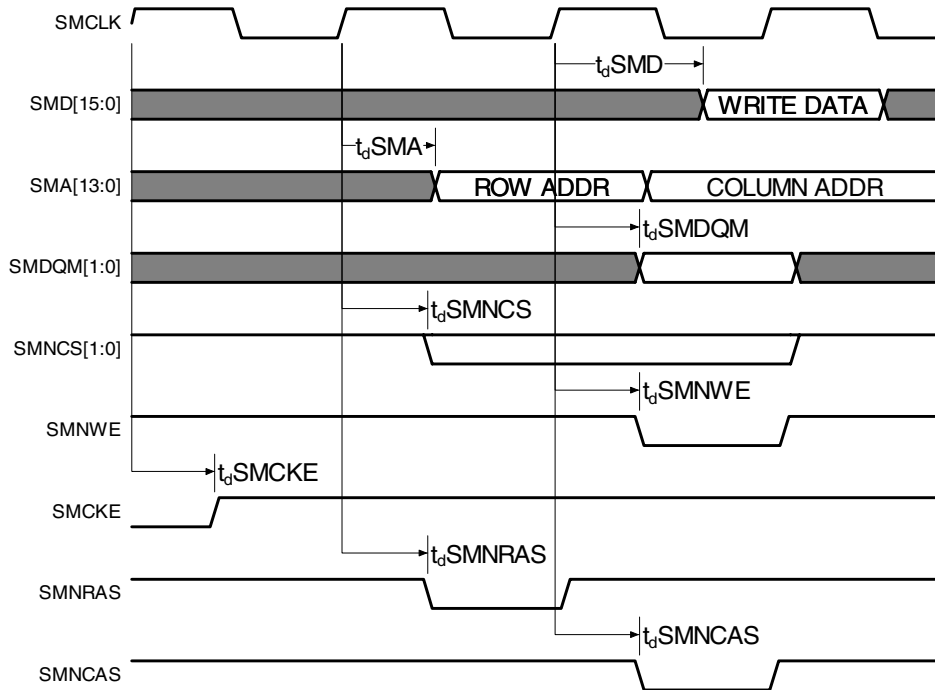


Figure 5. System Memory Interface 'Write' Timing Diagram

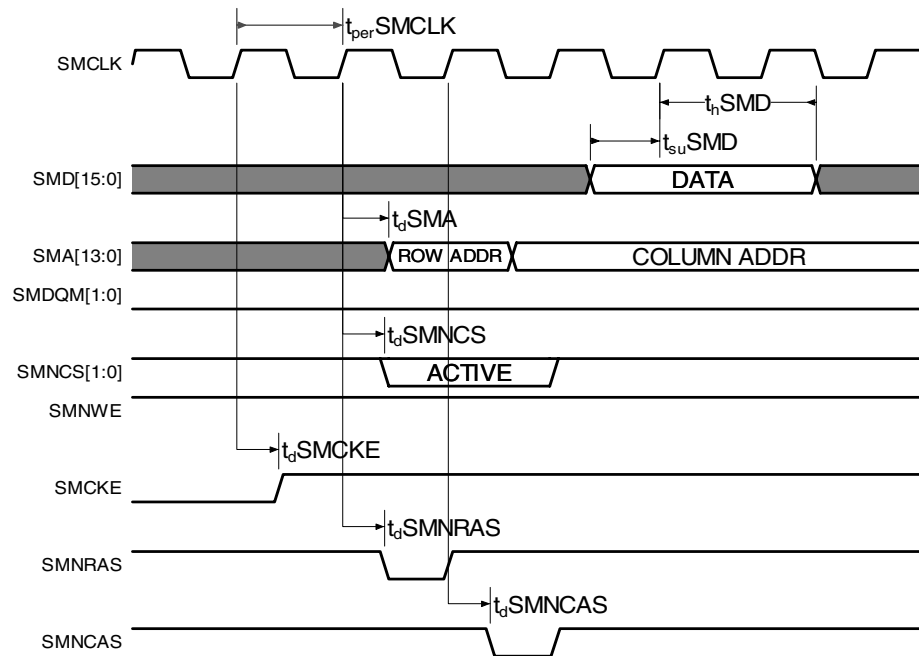


Figure 6. System Memory Interface 'Read' Timing Diagram

Table 8. ROM/Flash Memory Read Timing

Item	Symbol	Min	Max
		Clock Period ⁽¹⁾	$t_{per}SMCLK$
\overline{CE} to SMD Latched Data ⁽²⁾	$t_{id} SMD$		221 ns
\overline{OE} de-asserted to OE asserted ⁽³⁾	$t_f SMRAS$	$6(t_{per}SMCLK)$	
ROM address to output delay ⁽⁴⁾	t_{ACC}		220 ns
SMCLK to SMA output delay	$t_d SMA$		4.0 ns
SMCLK to BRCE output delay (\overline{CE})	$t_d BRCE$		4.5 ns
SMCLK to SMRAS output delay (\overline{OE})	$t_d SMRAS$		5.0 ns
SMD setup to SMCLK	$t_{su} SMD$	1.0 ns	
SMD hold from SMCLK	$t_h SMD$	2.4 ns	

Notes:

1. The memclock timing is derived by bootstrap PLL settings. Synchronous modes at 77 MHz & 72 MHz are currently supported.
2. $t_{id} SMD$ is based on the fm_romrdlat register settings – default is 09h max. (77Mhz ~ 17 times SMCLK = 221ns).
3. $t_f SMRAS$ is the minimum time required before the next OE is active on the bus (6 times SMCLK). The ROM device must release the bus within this time frame (77MHz ~ 78 ns).
4. Based on default fm_romrdlat register settings (note: 09h translates to 11h) see fm_romrdlat register settings for more information).

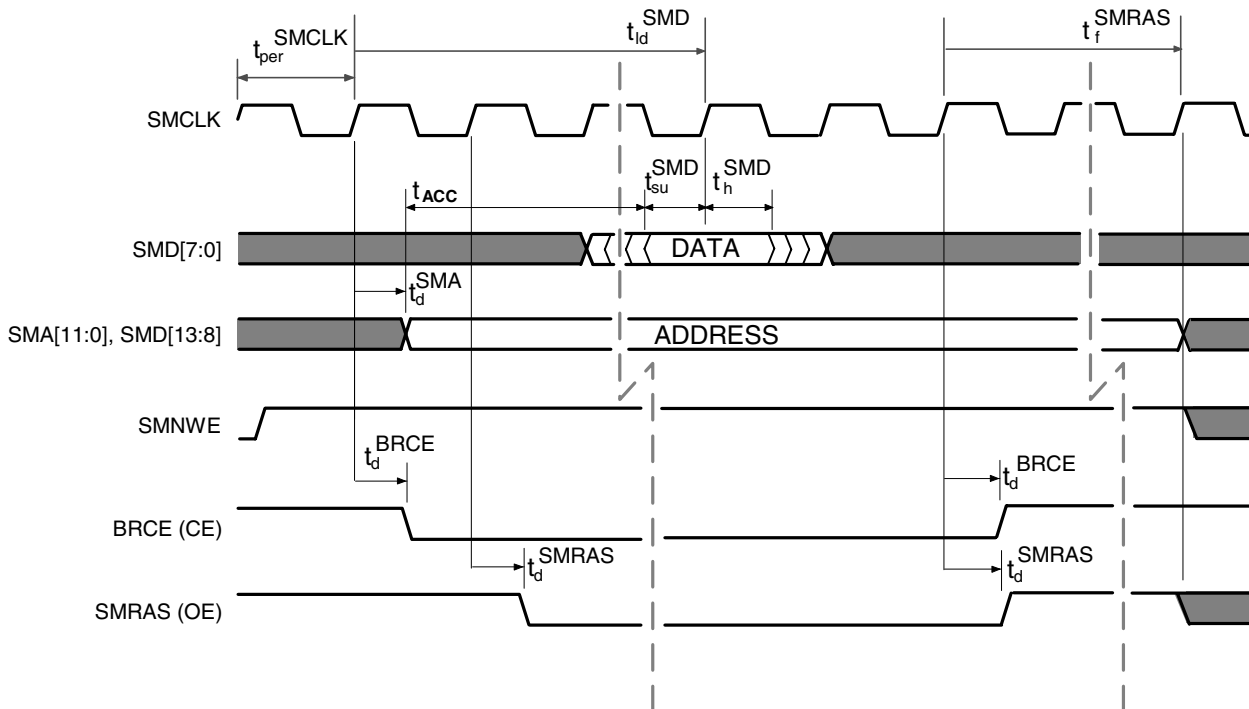


Figure 7. ROM Memory Interface 'Read' Timing Diagram

Table 9. PCI Interface Timings

Parameter	Parameter Description	Min	Max	Units
t _d AD	PCLK to ADX[31:0] output delay		10.93	ns
t _d NCBE	PCLK to NCBE[3:0] output delay		10.93	ns
t _d NFRAMEX	PCLK to NFRAMEX output delay		10.93	ns
t _d NDEVSELX	PCLK to NDEVSELX output delay		10.92	ns
t _d NIRDYX	PCLK to NIRDYX output delay		10.92	ns
t _d NTRDYX	PCLK to NTRDYX output delay		10.92	ns
t _d NSTOPX	PCLK to NSTOPX output delay		10.92	ns
t _d PARX	PCLK to NPARX output delay		10.92	ns
t _d NPERRX	PCLK to NPERRX output delay		10.93	ns
t _d NSERR	PCLK to NSERR output delay		10.93	ns
T _{su} ALL	All inputs setup to PCLK	5		ns
T _h ALL	All inputs hold from PCLK	1.1		ns

Notes:

All outputs are loaded with 50pf.

Table 10. USB Interface Timings

Parameter	Description	Min	Max	Units
USBVPX	Differential data positive	4	20	ns
USBVPM	Differential data negative	4	20	ns

Table 11. Radio MAC AC Timings – Intersil Modes

Parameter	Parameter Description	Min	Max	Units
t _d BBAS	BBAS output delay from falling BBSCLK		8.2	ns
t _d BBRNW	BBRNW output delay from falling BBSCLK		8.0	ns
t _d nBBCS	nBBCS output delay from falling BBSCLK		59.0	ns
t _d BBSDX	BBSDX output delay from falling BBSCLK		7.0	ns
T _{su} BBSDX	BBSDX setup to rising edge of BBSCLK	14.8		ns
T _h BBSDX	BBSDX hold from rising edge of BBSCLK	0.0		ns
t _d TXD	TXD output delay from rising TXCLK (SMAC Mode)		33.5	ns
t _d TXD	TXD output delay from rising TXCLK (RMAC Mode)		15.4	ns
T _{su} RXD	RXD setup to rising edge of RXCLK	1.0		ns
T _h RXD	RXD hold from rising edge of RXCLK	1.8		ns
T _{su} MDRDY	MDRDY setup to falling edge of RXCLK	2		ns
T _h MDRDY	MDRDY hold from falling edge of RXCLK	1		ns
t _d TXPEBB	TXPEBB output delay from rising TXCLK		15.0	ns
t _d RXPEBB	RXPEBB output delay from rising RXCLK		16.0	ns
T _{su} TXRDY	TXRDY setup to falling edge of TXCLK	6.5		ns
T _h TXRDY	TXRDY hold from falling edge of TXCLK	0		ns
T _{duty} RXCLK ²	RXCLK period	See Note		ns
T _{duty} TXCLK ²	TXCLK period	See Note		ns

Notes:

- CCA signal is double synchronized to ARMCLKIN.
- ARMCLK must be at least 4 times the TXCLK and RXCLK frequency.
- Harris baseband (3824/3824A) generates RXCLK and TXCLK of 4 Mhz. the duty cycle varies between 33-40% with a high time of 90.9ns and low time that alternates between 136 and 182ns. The clock period varies between 227 and 272 ns, giving an effective period of 250ns.
- TXD delay in 802.11b mode is the result of sampling the TXCLK with the ctclk, therefore the maximum delay is equal to two ctclk periods plus the flop-to-output delay. In this table, ctclk is assumed to have a 13 ns period.
- BBNCS output delay = $[(1/\text{ARMCLK freq}) * \text{ceiling}(\text{SER_CLK_DIV}/2)] + 7\text{ns}$, the specified value is based on ARMCLK of 77 Mhz and SER_CLK_DIV=8.

Table 12. Radio MAC AC Timings – RFMD Modes

Parameter	Parameter Description	Min	Max	Units
t _d BBRNW	BBRNW output delay from falling BBSCLK		6.7	ns
t _d nBBCS	nBBCS output delay from falling BBSCLK		110.79	ns
t _d BBSDX	BBSDX output delay from falling BBSCLK		7.0	ns
T _{su} BBSDX	BBSDX setup to rising edge of BBSCLK	14.5		ns
T _h BBSDX	BBSDX hold from rising edge of BBSCLK	0.0		ns
t _d TXD	TXD output delay from rising TXCLK (SMAC Mode)		33.5	ns
t _d TXD	TXD output delay from rising TXCLK (RMAC Mode)		15.4	ns
T _{su} RXD	RXD setup to rising edge of RXCLK	1.0		ns
T _h RXD	RXD hold from rising edge of RXCLK	1.8		ns
T _{su} MDRDY	MDRDY setup to falling edge of RXCLK	2		ns
T _h MDRDY	MDRDY hold from falling edge of RXCLK	1		ns
t _d TXPEBB	TXPEBB output delay from rising TXCLK		15.0	ns
t _d RXPEBB	RXPEBB output delay from rising RXCLK		16.0	ns
T _{su} TXRDY	TXRDY setup to falling edge of TXCLK	6.5		ns
T _h TXRDY	TXRDY hold from falling edge of TXCLK	0		ns

Notes:

1. Signal is double synchronized to ARMCLKIN.
2. ARMCLK must be at least 4 times the TXCLK and RXCLK frequency.
3. TXD delay in 802.11b mode is the result of sampling the TXCLK with the ctclk, therefore the maximum delay is equal to two ctclk periods plus the flop-to-output delay. In this table, ctclk is assumed to have a 13 ns period.
4. BBNCs output delay = [(1/ARMCLK freq)*ceiling(SER_CLK_DIV/2)] + 7ns, the specified value is based on ARMCLK of 77 Mhz and SER_CLK_DIV=8.

5.2 Table 13. Package Specifications

Symbol	Parameter	Value	Units
θ _{JC}	Junction-to-Case Thermal Resistance	5	°C/W
θ _{JA}	Junction-to-Open Air Thermal Resistance	29.4	°C/W
P _{MAX}	Max Power Dissipation	1.0	W
T _{J_MAX}	Max Junction Temperature	105	°C

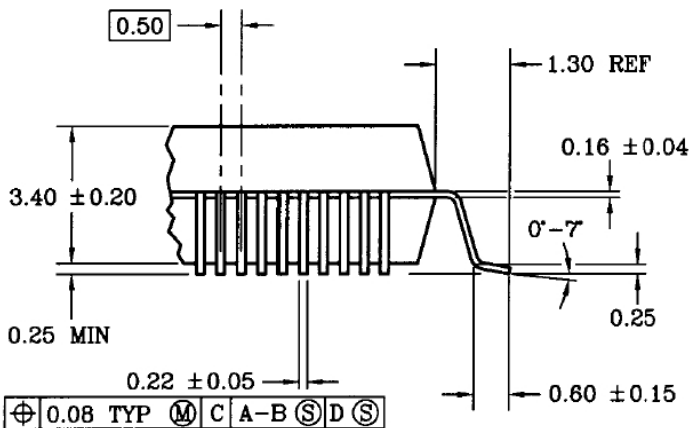
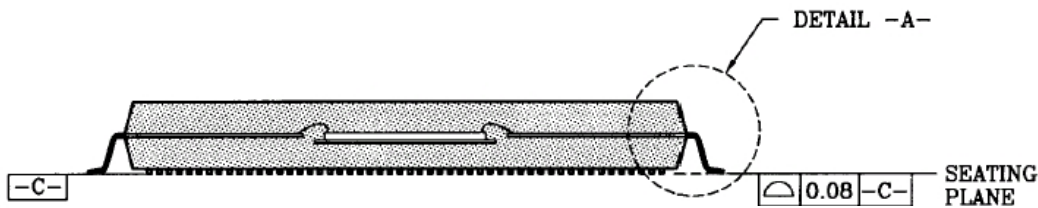
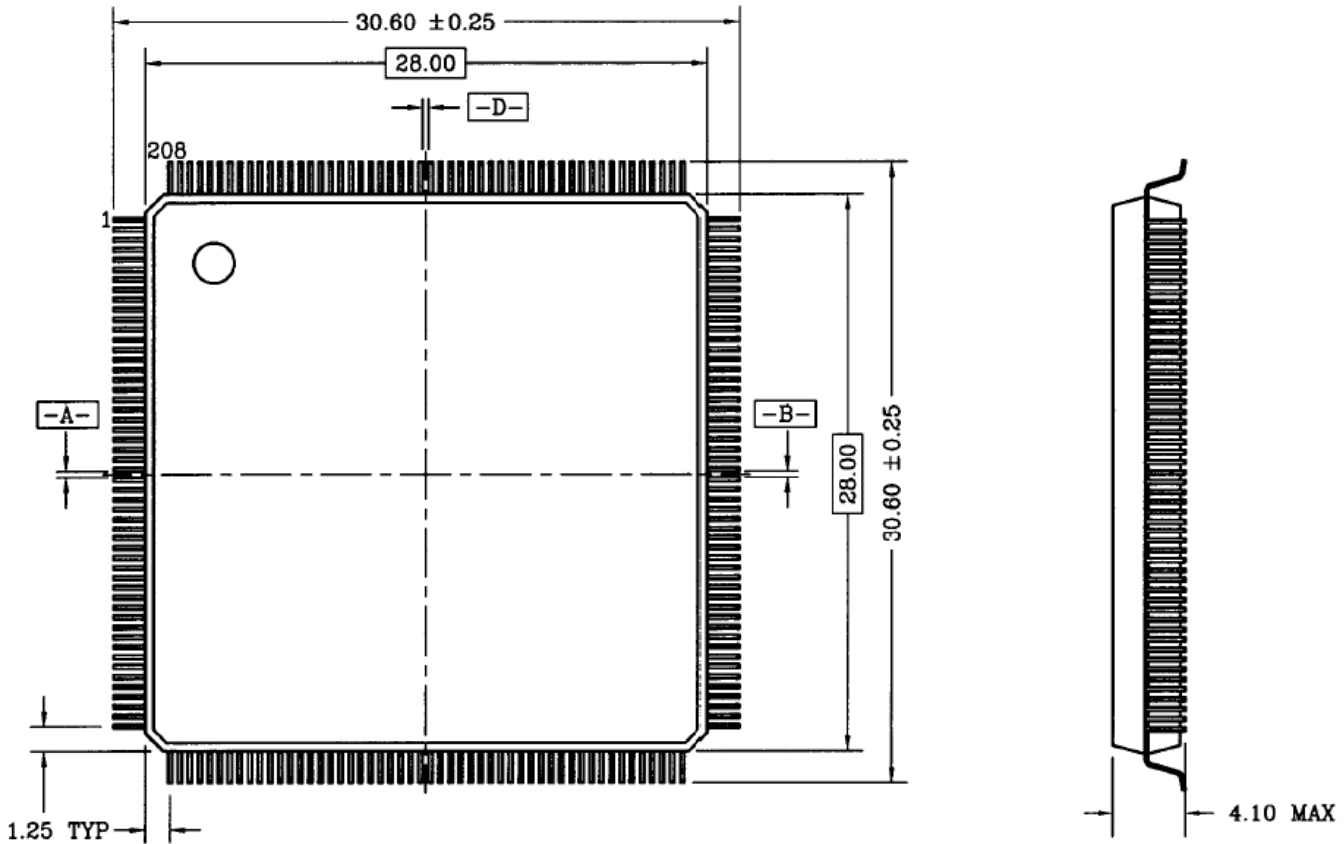
Notes:

1. ARMCLK / MEMCLK = 77MHz

6 Packaging

The CS22210 controller is available in a 208 MQFP package. Figure 8 contains the package mechanical drawing.

Figure 8. CS22210 208 MQFP-pin Mechanical Drawing



DETAIL -A-

NOTE:

1. DIMENSIONS ARE IN MILLIMETERS.
2. LEADFRAME MATERIAL: COPPER.
3. LEAD FINISH: SOLDER PLATE.