

Am29F200B Known Good Die



Data Sheet (Retired Product)

This product has been retired and is not recommended for designs. Please contact your Spansion representative for alternates. Availability of this document is retained for reference and historical purposes only.

The following document contains information on Spansion memory products.

Continuity of Specifications

There is no change to this data sheet as a result of offering the device as a Spansion product. Any changes that have been made are the result of normal data sheet improvement and are noted in the document revision summary.

For More Information

Please contact your local sales office for additional information about Spansion memory solutions.

This page left intentionally blank.

Am29F200B Known Good Die

2 Megabit (256 K x 8-Bit/128 K x 16-Bit)

CMOS 5.0 Volt-only, Sectored Flash Memory—Die Revision 1

This product has been retired and is not recommended for designs. Please contact your Spansion representative for alternates. Availability of this document is retained for reference and historical purposes only.

DISTINCTIVE CHARACTERISTICS

- **5.0 V \pm 10% for read and write operations**
 - Minimizes system level power requirements
- **Manufactured on 0.32 μ m process technology**
 - Compatible with 0.5 μ m Am29F200A device
- **High performance**
 - 70, 90, or 120 ns access time
- **Low power consumption**
 - 20 mA typical active read current (byte mode)
 - 28 mA typical active read current for (word mode)
 - 30 mA typical program/erase current
 - 1 μ A typical standby current
- **Sector erase architecture**
 - One 16 Kbyte, two 8 Kbyte, one 32 Kbyte, and three 64 Kbyte sectors (byte mode)
 - One 8 Kword, two 4 Kword, one 16 Kword, and three 32 Kword sectors (word mode)
 - Supports full chip erase
 - Sector Protection features:
 - A hardware method of locking a sector to prevent any program or erase operations within that sector
 - Sectors can be locked via programming equipment
 - Temporary Sector Unprotect feature allows code changes in previously locked sectors
- **Top or bottom boot block configurations available**
- **Embedded Algorithms**
 - Embedded Erase algorithm automatically preprograms and erases the entire chip or any combination of designated sectors
 - Embedded Program algorithm automatically writes and verifies data at specified addresses
- **Minimum 1,000,000 write/erase cycles guaranteed**
- **Compatible with JEDEC standards**
 - Pinout and software compatible with single-power-supply flash
 - Superior inadvertent write protection
- **Data# Polling and Toggle Bit**
 - Detects program or erase cycle completion
- **Ready/Busy# output (RY/BY#)**
 - Hardware method for detection of program or erase cycle completion
- **Erase Suspend/Resume**
 - Supports reading data from a sector not being erased
- **Hardware RESET# pin**
 - Resets internal state machine to the reading array data
- **20-year data retention at 125°C**
- **Tested to datasheet specifications at temperature**
 - Contact AMD for higher temperature range devices
- **Quality and reliability levels equivalent to standard packaged components**
- **Shipped in waffle pack, surftape, and unsawn wafer**
- **500 μ m die/wafer thickness**

GENERAL DESCRIPTION

The Am29F200B in Known Good Die (KGD) form is a 2 Mbit, 5.0 Volt-only Flash memory. AMD defines KGD as standard product in die form, tested for functionality and speed. AMD KGD products have the same reliability and quality as AMD products in packaged form.

Am29F200B Features

The Am29F200B is organized as 262,144 bytes of 8 bits each or 131,072 words of 16 bits each. The 8-bit data appears on DQ0-DQ7; the 16-bit data appears on DQ0-DQ15. This device is designed to be programmed in-system with the standard system 5.0 Volt V_{CC} supply. A 12.0 volt V_{PP} is not required for program or erase operations.

The standard Am29F200B in KGD form offers an access time of 70, 90, or 120 ns, allowing high-speed microprocessors to operate without wait states. To eliminate bus contention the device has separate chip enable (CE#), write enable (WE#), and output enable (OE#) controls.

The device requires only a **single 5.0 volt power supply** for both read and write functions. Internally generated and regulated voltages are provided for the program and erase operations.

The device is entirely command set compatible with the **JEDEC single-power-supply Flash standard**. Commands are written to the command register using standard microprocessor write timings. Register contents serve as input to an internal state-machine that controls the erase and programming circuitry. Write cycles also internally latch addresses and data needed for the programming and erase operations. Reading data out of the device is similar to reading from other Flash or EPROM devices.

Device programming occurs by executing the program command sequence. This initiates the **Embedded Program** algorithm—an internal algorithm that automatically times the program pulse widths and verifies proper cell margin.

Device erasure occurs by executing the erase command sequence. This initiates the **Embedded Erase** algorithm—an internal algorithm that automatically preprograms the array (if it is not already pro-

grammed) before executing the erase operation. During erase, the device automatically times the erase pulse widths and verifies proper cell margin.

The host system can detect whether a program or erase operation is complete by observing the RY/BY# pin, or by reading the DQ7 (Data# Polling) and DQ6/DQ2 (toggle) **status bits**. After a program or erase cycle has been completed, the device is ready to read array data or accept another command.

The **sector erase architecture** allows memory sectors to be erased and reprogrammed without affecting the data contents of other sectors. The device is fully erased when shipped from the factory.

Hardware data protection measures include a low V_{CC} detector that automatically inhibits write operations during power transitions. The **hardware sector protection** feature disables both program and erase operations in any combination of the sectors of memory. This can be achieved via programming equipment.

The **Erase Suspend** feature enables the user to put erase on hold for any period of time to read data from, or program data to, any sector that is not selected for erasure. True background erase can thus be achieved.

The **hardware RESET# pin** terminates any operation in progress and resets the internal state machine to reading array data. The RESET# pin may be tied to the system reset circuitry. A system reset would thus also reset the device, enabling the system microprocessor to read the boot-up firmware from the Flash memory.

The system can place the device into the **standby mode**. Power consumption is greatly reduced in this mode.

AMD's Flash technology combines years of Flash memory manufacturing experience to produce the highest levels of quality, reliability and cost effectiveness. The device electrically erases all bits within a sector simultaneously via Fowler-Nordheim tunneling. The data is programmed using hot electron injection.

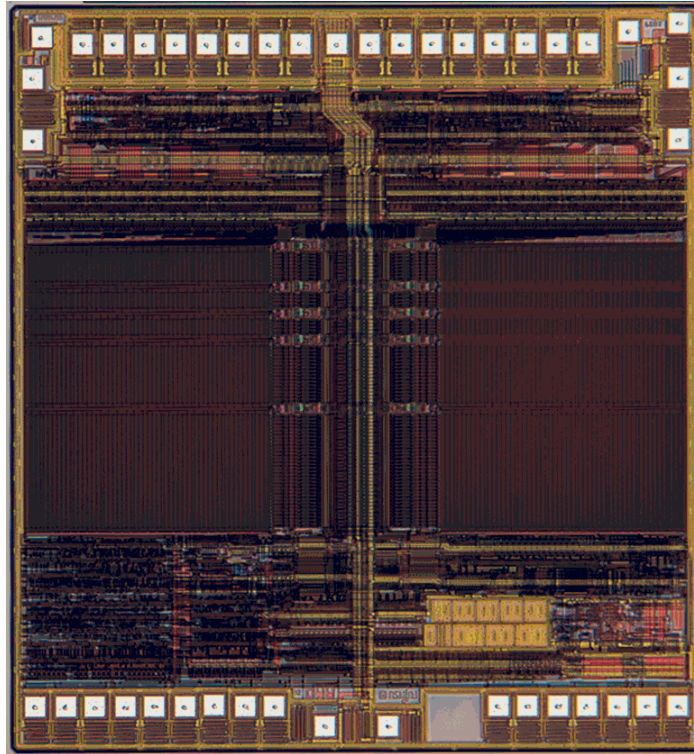
Electrical Specifications

Refer to the Am29F200B data sheet, publication number 21526, for full electrical specifications on the Am29F200B.

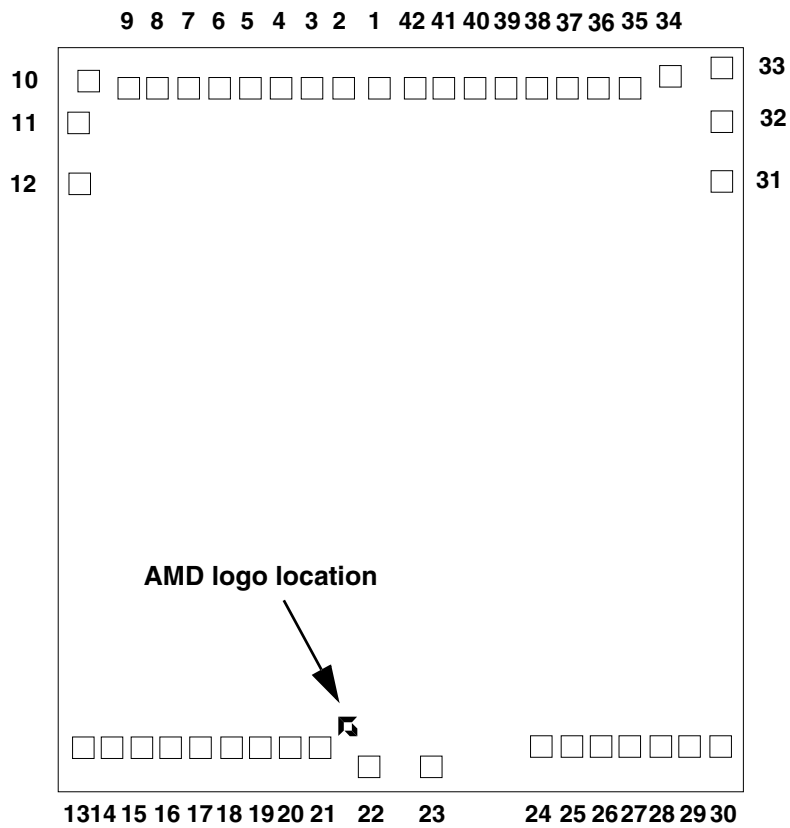
PRODUCT SELECTOR GUIDE

Family Part Number	Am29F200B KGD		
Speed Option ($V_{CC} = 5.0 \text{ V} \pm 10\%$)	-75 ($V_{CC} = 5.0 \text{ V} \pm 5\%$)	-90	-120
Max access time, ns (t_{ACC})	70	90	120
Max CE# access time, ns (t_{CE})	70	90	120
Max OE# access time, ns (t_{OE})	30	35	50

DIE PHOTOGRAPH



DIE PAD LOCATIONS



PAD DESCRIPTION

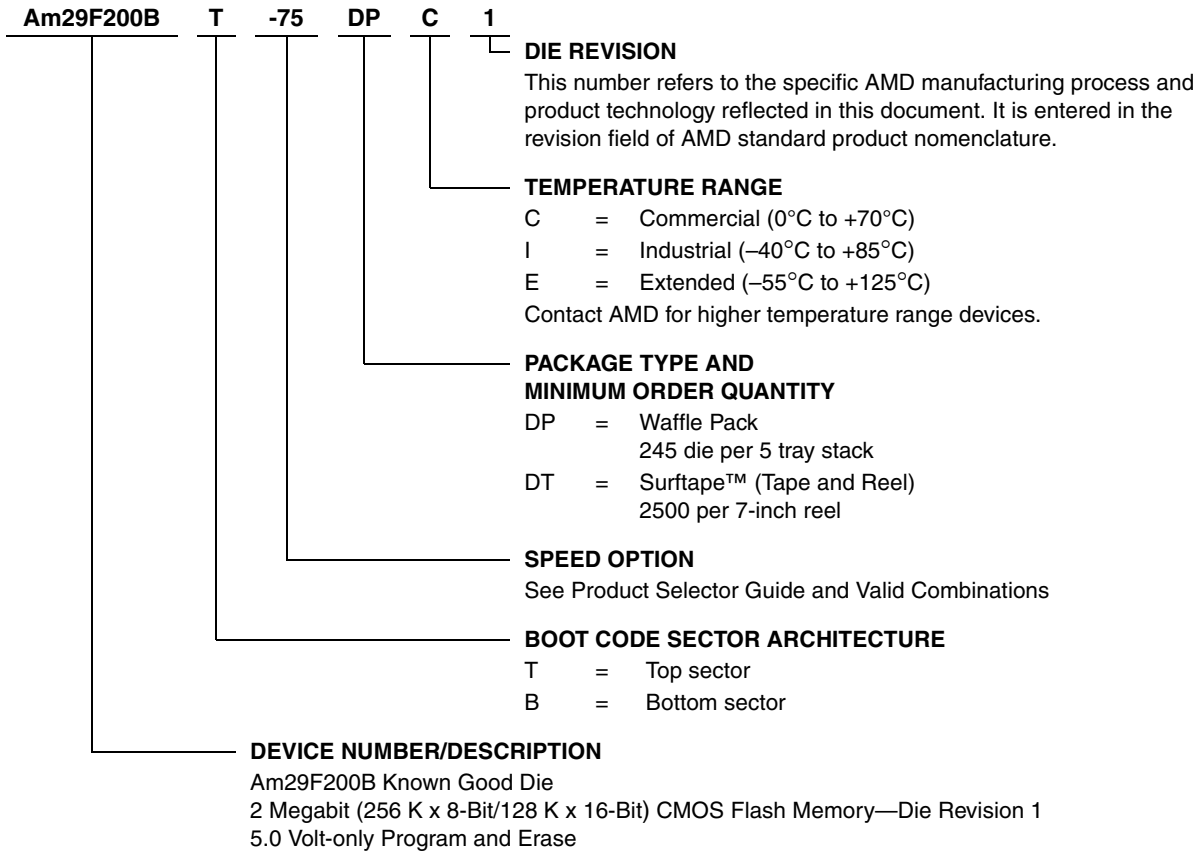
Pad	Signal	Pad Center (mils)		Pad Center (millimeters)	
		X	Y	X	Y
1	V _{CC}	0.00	0.00	0.0000	0.0000
2	DQ4	-6.80	0.00	-0.1727	0.0000
3	DQ12	-12.80	0.00	-0.3251	0.0000
4	DQ5	-18.60	0.00	-0.4724	0.0000
5	DQ13	-24.50	0.00	-0.6223	0.0000
6	DQ6	-30.30	0.00	-0.7696	0.0000
7	DQ14	-36.30	0.00	-0.9220	0.0000
8	DQ7	-42.10	0.00	-1.0693	0.0000
9	DQ15/A-1	-48.00	0.00	-1.2192	0.0000
10	V _{SS}	-55.70	1.40	-1.4148	0.0356
11	BYTE#	-57.50	-6.50	-1.4605	-0.1651
12	A16	-57.50	-18.00	-1.4605	-0.4572
13	A15	-57.10	-124.90	-1.4503	-3.1725
14	A14	-51.30	-124.90	-1.3030	-3.1725
15	A13	-45.90	-124.90	-1.1659	-3.1725
16	A12	-40.00	-124.90	-1.0160	-3.1725
17	A11	-34.60	-124.90	-0.8788	-3.1725
18	A10	-28.80	-124.90	-0.7315	-3.1725
19	A9	-23.30	-124.60	-0.5918	-3.1648
20	A8	-17.40	-124.90	-0.4420	-3.1725
21	WE#	-12.00	-124.90	-0.3048	-3.1725
22	RESET#	-2.40	-128.60	-0.0610	-3.2664
23	RY/BY#	9.50	-128.60	0.2413	-3.2664
24	A7	30.30	-124.90	0.7696	-3.1725
25	A6	35.80	-124.90	0.9093	-3.1725
26	A5	41.60	-124.90	1.0566	-3.1725
27	A4	47.00	-124.90	1.1938	-3.1725
28	A3	52.90	-124.90	1.3437	-3.1725
29	A2	58.30	-124.90	1.4808	-3.1725
30	A1	64.10	-124.90	1.6281	-3.1725
31	A0	64.50	-18.00	1.6383	-0.4572
32	CE#	64.50	-6.50	1.6383	-0.1651
33	V _{SS}	64.50	3.80	1.6383	0.0965
34	OE#	55.00	2.30	1.3970	0.0584
35	DQ0	47.40	0.00	1.2040	0.0000
36	DQ8	41.50	0.00	1.0541	0.0000
37	DQ1	35.60	0.00	0.9042	0.0000
38	DQ9	29.70	0.00	0.7544	0.0000
39	DQ2	23.90	0.00	0.6071	0.0000
40	DQ10	18.00	0.00	0.4572	0.0000
41	DQ3	12.10	0.00	0.3073	0.0000
42	DQ11	6.20	0.00	0.1575	0.0000

Note: The coordinates above are relative to the center of pad 1 and can be used to operate wire bonding equipment.

ORDERING INFORMATION

Standard Products

AMD standard products are available in several packages and operating ranges. The order number (Valid Combination) is formed by a combination of the following:



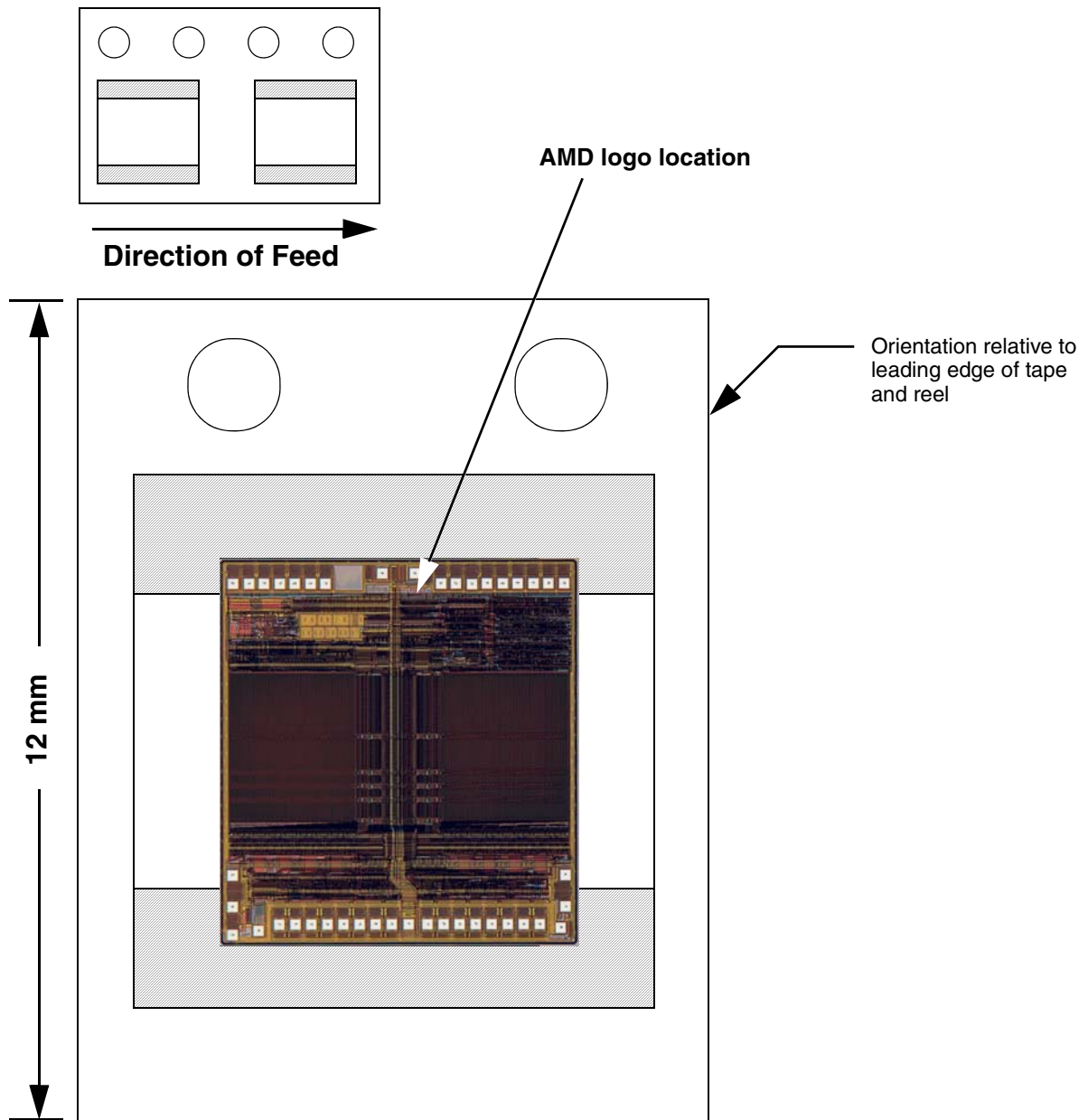
Valid Combinations

Valid Combinations list configurations planned to be supported in volume for this device. Consult the local AMD sales office to confirm availability of specific valid combinations and to check on newly released combinations.

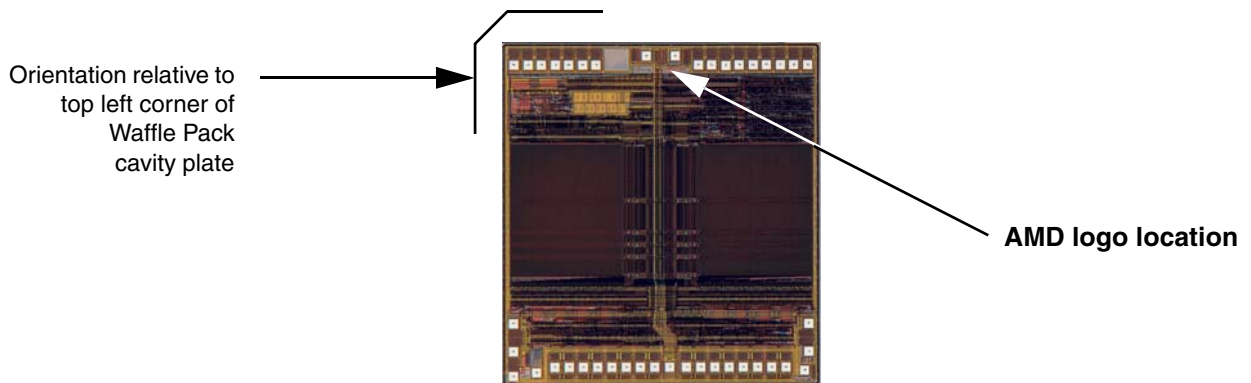
Valid Combinations	
AM29F200BT-75, AM29F200BB-75 (70 ns, V _{CC} = 5.0 V ±5%)	DPC 1, DPI 1, DPE 1, DTC 1, DTI 1, DTE 1,
AM29F200BT-90, AM29F200BB-90	
AM29F200BT-120, AM29F200BB-120	

PACKAGING INFORMATION

Surftape Packaging



Waffle Pack Packaging



PRODUCT TEST FLOW

Figure 1 provides an overview of AMD's Known Good Die test flow. For more detailed information, refer to the Am29F200B product qualification database supplement for KGD. AMD implements quality assurance procedures throughout the product test flow. In addition,

an off-line quality monitoring program (QMP) further guarantees AMD quality standards are met on Known Good Die products. These QA procedures also allow AMD to produce KGD products without requiring or implementing burn-in.

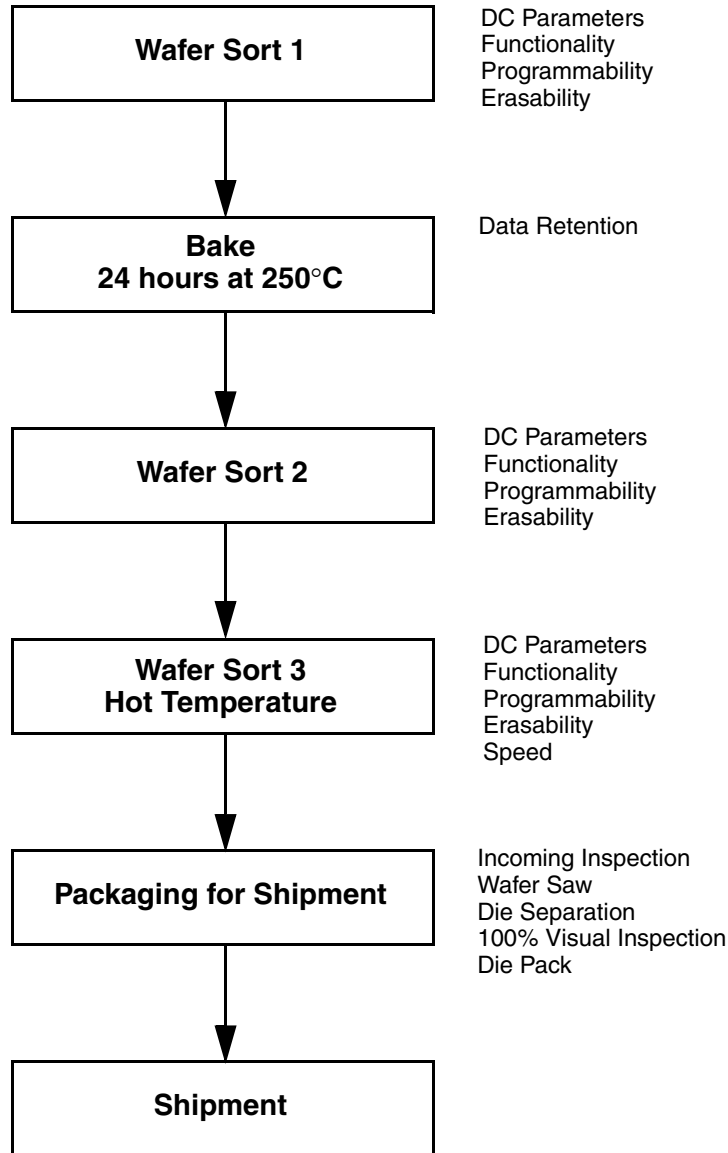


Figure 1. AMD KGD Product Test Flow

PHYSICAL SPECIFICATIONS

Die dimensions	135 mils x 150 mils
	3.43 mm x 3.81 mm
Die Thickness	19.7 mils
	500 μm
Bond Pad Size	4.69 mils x 4.69 mils
	115.9 μm x 115.9 μm
Pad Area Free of Passivation	13.99 mils ²
	9,025 μm^2
Pads Per Die	42
Bond Pad Metalization	Al/Cu
Die Backside	No metal, may be grounded (optional)
Passivation	Nitride/SOG/Nitride

DC OPERATING CONDITIONS

V_{CC} (Supply Voltage)	4.5 V to 5.5 V
Junction Temperature Under Bias:	
Commercial, Industrial, and	
Extended Temperature Range	T_J (max) = 130°C
Operating Temperature	
Commercial	0°C to +70°C
Industrial	-40°C to +85°C
Extended	-55°C to +125°C

Contact AMD for higher temperature range devices.

MANUFACTURING INFORMATION

Manufacturing	FASL
Test	Sunnyvale, CA, USA, and Penang, Malaysia
Manufacturing ID (Top Boot)	98480AK
(Bottom Boot)	98480ABK
Preparation for Shipment	Penang, Malaysia
Fabrication Process	CS39S
Die Revision	1

SPECIAL HANDLING INSTRUCTIONS**Processing**

Do not expose KGD products to ultraviolet light or process them at temperatures greater than 250°C. Failure to adhere to these handling instructions will result in irreparable damage to the devices. For best yield, AMD recommends assembly in a Class 10K clean room with 30% to 60% relative humidity.

Storage

Store at a maximum temperature of 30°C in a nitrogen-purged cabinet or vacuum-sealed bag. Observe all standard ESD handling procedures.

**TERMS AND CONDITIONS OF SALE FOR
AMD NON-VOLATILE MEMORY DIE**

All transactions relating to unpackaged die or unpackaged wafer(s) under this agreement shall be subject to AMD's standard terms and conditions of sale, or any revisions thereof, which revisions AMD reserves the right to make at any time and from time to time. In the event of conflict between the provisions of AMD's standard terms and conditions of sale and this agreement, the terms of this agreement shall be controlling.

AMD warrants unpackaged die or unpackaged wafer(s) of its manufacture ("Known Good Die," "Die," or Wafer(s)) against defective materials or workmanship for a period of one (1) year from date of shipment. This warranty does not extend beyond the first purchaser of said Die or Wafer(s). Buyer assumes full responsibility to ensure compliance with the appropriate handling, assembly and processing of Known Good Die or Wafer(s) (including but not limited to proper Die preparation, Die attach, backgrinding, wire bonding and related assembly and test activities), and compliance with all guidelines set forth in AMD's specifications for Known Good Die or Wafer(s), and AMD assumes no responsibility for environmental effects on Known Good Die or Wafer(s) or for any activity of Buyer or a third party that damages the Die or Wafer(s) due to improper use, abuse, negligence, improper installation, improper backgrinding, accident, loss, damage in transit, or unauthorized repair or alteration by a person or entity other than AMD ("Warranty Exclusions").

The liability of AMD under this warranty is limited, at AMD's option, solely to repair the Die or Wafer(s), to send replacement Die or Wafer(s), or to make an appropriate credit adjustment or refund in an amount not to exceed the original purchase price actually paid for the Die or Wafer(s) returned to AMD, provided that: (a) AMD is promptly notified by Buyer in writing during the applicable warranty period of any defect or nonconformity in the Known Good Die or Wafer(s); (b) Buyer obtains authorization from AMD to return the defective Die or Wafer(s); (c) the defective Die or Wafer(s) is returned to AMD by Buyer in accordance with AMD's shipping instructions set forth below; and (d) Buyer shows to AMD's satisfaction that such alleged defect or nonconformity actually exists and was not caused by any of the above-referenced Warranty Exclusions. Buyer shall ship such defective Die or Wafer(s) to AMD via AMD's carrier, collect. Risk of loss will transfer to AMD when the defective Die or Wafer(s) is provided to AMD's carrier. If Buyer fails to adhere to these warranty

returns guidelines, Buyer shall assume all risk of loss and shall pay for all freight to AMD's specified location. The aforementioned provisions do not extend the original warranty period of any Known Good Die or Wafer(s) that has either been repaired or replaced by AMD.

THIS WARRANTY IS EXPRESSED IN LIEU OF ALL OTHER WARRANTIES, EXPRESSED OR IMPLIED, INCLUDING THE IMPLIED WARRANTY OF FITNESS FOR A PARTICULAR PURPOSE, THE IMPLIED WARRANTY OF MERCHANTABILITY AND OF ALL OTHER OBLIGATIONS OR LIABILITIES ON AMD'S PART, AND IT NEITHER ASSUMES NOR AUTHORIZES ANY OTHER PERSON TO ASSUME FOR AMD ANY OTHER LIABILITIES. THE FOREGOING CONSTITUTES THE BUYER'S SOLE AND EXCLUSIVE REMEDY FOR THE FURNISHING OF DEFECTIVE OR NON CONFORMING KNOWN GOOD DIE OR WAFER(S) AND AMD SHALL NOT IN ANY EVENT BE LIABLE FOR INCREASED MANUFACTURING COSTS, DOWNTIME COSTS, DAMAGES RELATING TO BUYER'S PROCUREMENT OF SUBSTITUTE DIE OR WAFER(S) (i.e., "COST OF COVER"), LOSS OF PROFITS, REVENUES OR GOODWILL, LOSS OF USE OF OR DAMAGE TO ANY ASSOCIATED EQUIPMENT, OR ANY OTHER INDIRECT, INCIDENTAL, SPECIAL OR CONSEQUENTIAL DAMAGES BY REASON OF THE FACT THAT SUCH KNOWN GOOD DIE OR WAFER(S) SHALL HAVE BEEN DETERMINED TO BE DEFECTIVE OR NON CONFORMING.

Buyer agrees that it will make no warranty representations to its customers which exceed those given by AMD to Buyer unless and until Buyer shall agree to indemnify AMD in writing for any claims which exceed AMD's warranty.

REVISION SUMMARY**Revision A (1997)**

Initial release.

Revision B (December 1997)

Formatted for 1998 flash data book.

Revision C (November 1998)**Global**

Formatted to match current template. Modified Am29F200A data sheet for CS39S process technology.

Terms and Conditions

Replaced warranty with new version.

Revision D (December 1998)**Global**

Added -75 speed option.

Ordering Information

Changed Gel-Pak quantity to 486. Corrected Surftape reel size to 7 inches.

Packaging Information

Added section. Moved orientation information from die photograph section into this section.

Revision D+1 (June 14, 1999)**Physical Specifications**

Corrected bond pad dimensions and deleted Si from the bond pad metalization specification.

Revision D+2 (July 12, 1999)**Global**

The device is now available in the high temperature range (-55°C to +140°C). T_J (max) for this range is +145°C.

Revision D+3 (November 17, 1999)**Global**

Replaced references to high temperature ratings with a note to contact AMD for such devices.

Revision D+4 (June 27, 2001)**Manufacturing Information**

Added Penang, Malaysia as a test facility (ACN2016).

Revision D+5 (July 27, 2007)**Ordering Information**

Removed package type options DG and DW

Packaging Information

Removed all references to Gel-Pak

Revision D6 (March 3, 2009)**Global**

Added obsolescence information.

Colophon

The products described in this document are designed, developed and manufactured as contemplated for general use, including without limitation, ordinary industrial use, general office use, personal use, and household use, but are not designed, developed and manufactured as contemplated (1) for any use that includes fatal risks or dangers that, unless extremely high safety is secured, could have a serious effect to the public, and could lead directly to death, personal injury, severe physical damage or other loss (i.e., nuclear reaction control in nuclear facility, aircraft flight control, air traffic control, mass transport control, medical life support system, missile launch control in weapon system), or (2) for any use where chance of failure is intolerable (i.e., submersible repeater and artificial satellite). Please note that Spansion will not be liable to you and/or any third party for any claims or damages arising in connection with above-mentioned uses of the products. Any semiconductor devices have an inherent chance of failure. You must protect against injury, damage or loss from such failures by incorporating safety design measures into your facility and equipment such as redundancy, fire protection, and prevention of over-current levels and other abnormal operating conditions. If any products described in this document represent goods or technologies subject to certain restrictions on export under the Foreign Exchange and Foreign Trade Law of Japan, the US Export Administration Regulations or the applicable laws of any other country, the prior authorization by the respective government entity will be required for export of those products.

Trademarks and Notice

The contents of this document are subject to change without notice. This document may contain information on a Spansion product under development by Spansion. Spansion reserves the right to change or discontinue work on any product without notice. The information in this document is provided as is without warranty or guarantee of any kind as to its accuracy, completeness, operability, fitness for particular purpose, merchantability, non-infringement of third-party rights, or any other warranty, express, implied, or statutory. Spansion assumes no liability for any damages of any kind arising out of the use of the information in this document.

Copyright © 1997–2005 Advanced Micro Devices, Inc. All rights reserved. AMD, the AMD logo, and combinations thereof are registered trademarks of Advanced Micro Devices, Inc. Product names used in this publication are for identification purposes only and may be trademarks of their respective companies.

Copyright © 2006–2009 Spansion Inc. All rights reserved. Spansion[®], the Spansion Logo, MirrorBit[®], MirrorBit[®] Eclipse[™], ORNAND[™], ORNAND2[™], HD-SIM[™], EcoRAM[™] and combinations thereof, are trademarks of Spansion LLC in the US and other countries. Other names used are for informational purposes only and may be trademarks of their respective owners.