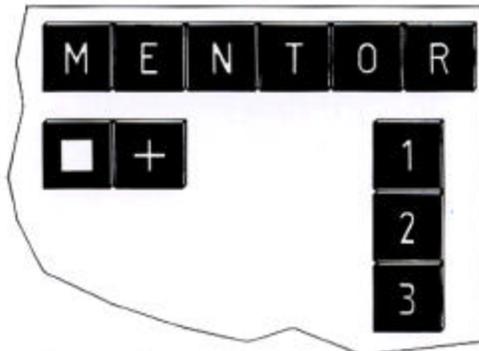
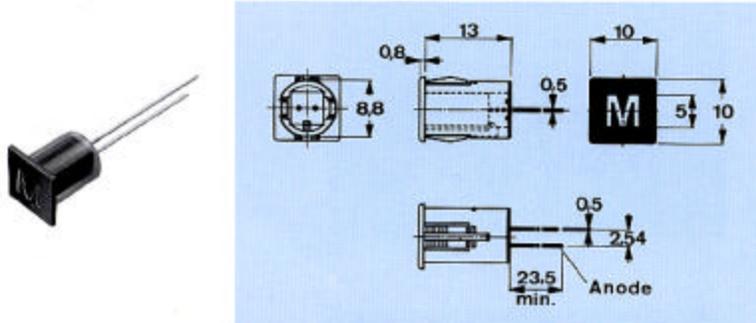


LED-Symbol-Display



Elma Electronic Inc.
Office: 510.656.0606
Fax: 510.656.8008
E-Mail: sales@elma.com
Web: www.elma.com

Technical Data	
Housing Material	PC
Ambient Temperature	-40°C ... +85°C
Soldering Temperature	260°C ≤ 5 sec.



Symbols

	A	B	C	D	E	F	G	H	I	K	L	M
xx =	0A	0B	0C	0D	0E	0F	0G	0H	0I	0K	0L	0M
	N	O	P	R	S	T	U	V	W	X	Y	Z
xx =	0N	0O	0P	0R	0S	0T	0U	0V	0W	0X	0Y	0Z
	1	2	3	4	5	6	7	8	9			
xx =	01	02	03	04	05	06	07	08	09			
	▲	■	●	%	-	+	→					
xx =	11	12	13	14	15	16	17					

LED-Type	Color	Part #
A54	Super Red	90-2685-20xx
A55	Yellow	90-2685-70xx
A56	Green	90-2685-80xx

in Red 90-2685-200R
in Green 90-2685-800R

LED-Type		Color Wavelength	Lense Color	Forward Voltage U _F (V) I _F = 20 mA		Fwd.-Current I _F max. (mA)	φ (50 % I _F) Grad./Deg.	Luminous Intensity I _V (mcd) I _F = 10 mA			Peak Fwd.-Curr. I _{FS} (A) tp ≤ 10 μs	Rev. Voltage U _R (V)	
				typ	max			min	typ	max			
A	54	Super Red	625	red/diff.	2.0	2.5	30	±55°	5	-	12.5	0.15	5
	55	Yellow	590	yellow/diff.	2.1	2.5	30	±55°	3.2	-	8	0.15	5
	56	Green	565	green/diff.	2.2	2.5	25	±55°	3.2	-	8	0.15	5