

Modular contacts for use on .100" grid, available in ten heights from .255" to .430", supplied in single and double row contact strips.

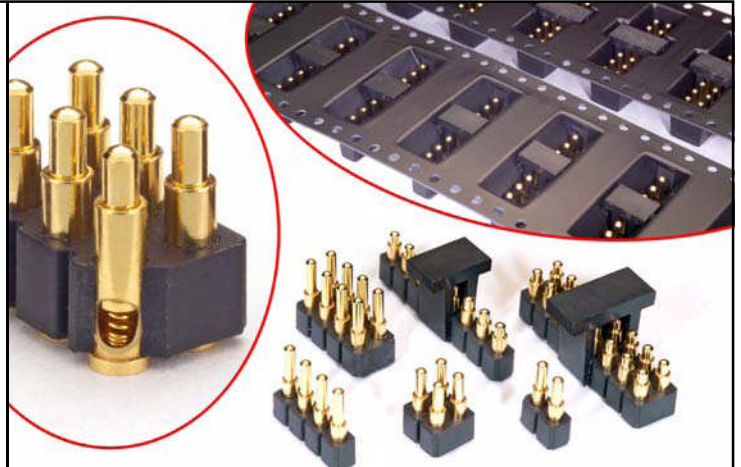
Precision machined piston / base and gold plated components assure a 1,000,000 min. cycle life.

Pistons have a long stroke relative to the low profile of the assembly.

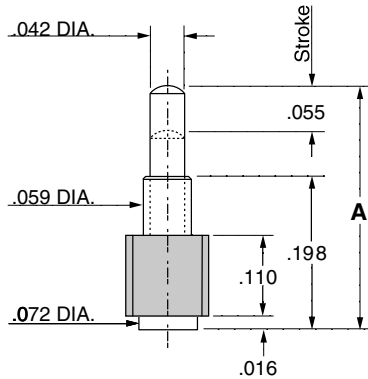
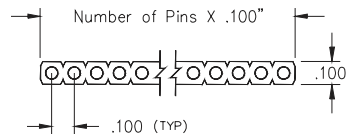
Low resistance, high current contacts are rated at 2 amps continuous, 3 amps peak.

High temperature thermoplastic insulators are suitable for surface mount processes.

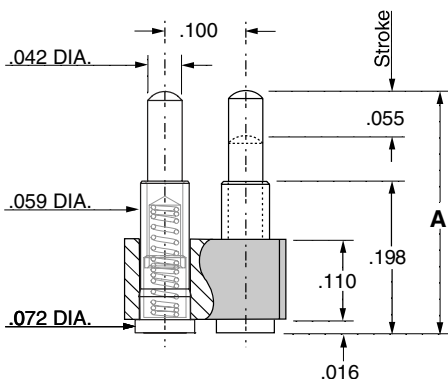
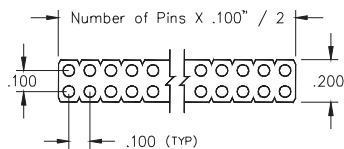
Both 812 & 814 series are available on 32mm or 44mm wide carrier tape for automated pick and place assembly per EIA-481. See page 119 for strip lengths available and ordering information.



**SINGLE ROW Series 812**



**DOUBLE ROW Series 814**



**Ordering Information**

**Single Row Series 812**

812-22-0XX-30-00X-101

**Specify # of contacts**

**Specify contact style 0-9**

02-64

**Double Row Series 814**

814-22-0XX-30-00X-101

**Specify # of contacts**

**Specify contact style 0-9**

04-72

CONTACT STYLE	INITIAL HEIGHT A	CONTACT STYLE	INITIAL HEIGHT A
0	.255	5	.350
1	.275	6	.370
2	.295	7	.390
3	.315	8	.410
4	.335	9	.430

**Technical Specifications**

**Materials:**

Contact piston & Base: Machined copper alloy plated 20μ" gold over 100μ" nickel  
 Spring: Beryllium copper plated 10μ" gold  
 Insulator: High temp. thermoplastic rated UL94 V-0

**Mechanical:**

Spring force @ initial height (A): 25 grams  
 Spring force @ mid stroke (.0275): 60 grams  
 Spring force @ full stroke (.055): 95 grams  
 Durability: 1,000,000 cycles min.

**Electrical:**

Voltage rating: 100Vrms/150Vdc  
 Current rating: 2A (continuous), 3A (peak) per contact  
 Contact resistance: 20mΩ max.  
 Insulation resistance: 10,000MΩ min.  
 Dielectric strength: 700Vrms min.  
 Capacitance: 1pF max.



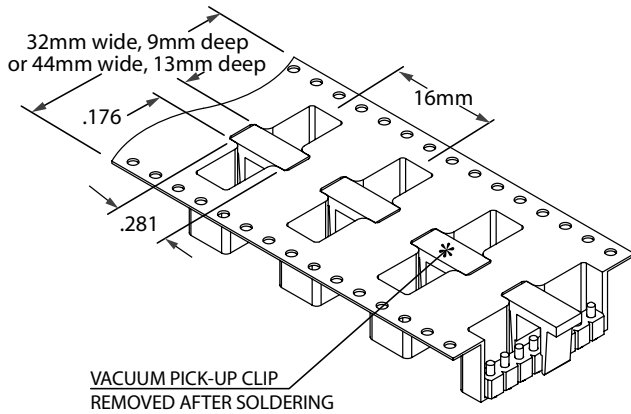
**Ordering Information for Series 811/812/813/814 in Carrier Tape**

**Single Row Series 811/812**

811-22-00X-30-00X-191  
Specify # of contacts → 2-8 (32mm wide tape, 400 parts per 13" reel) → Specify contact style 1-4

812-22-00X-30-00X-191  
Specify # of contacts → 2-8 (32mm wide tape, 400 parts per 13" reel) → Specify contact style 0-2

812-22-0XX-30-00X-191  
Specify # of contacts → 2-12 (44mm wide tape, 200 parts per 13" reel) → Specify contact style 3-9

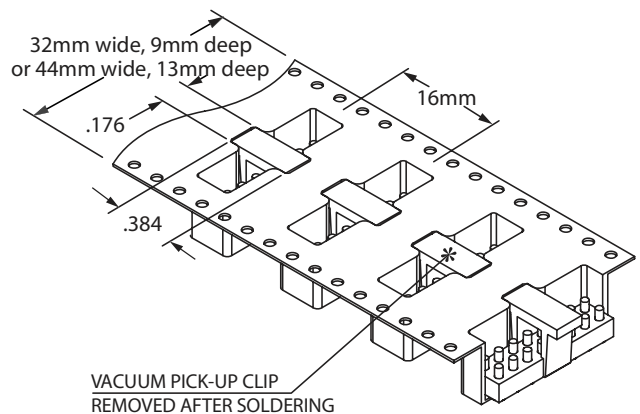


**Double Row Series 813/814**

813-22-0XX-30-00X-191  
Specify # of contacts → 04-16 (32mm wide tape, 400 parts per 13" reel) → Specify contact style 1-4

814-22-0XX-30-00X-191  
Specify # of contacts → 04-16 (32mm wide tape, 400 parts per 13" reel) → Specify contact style 0-2

814-22-0XX-30-00X-191  
Specify # of contacts → 04-24 (44mm wide tape, 200 parts per 13" reel) → Specify contact style 3-9



**Some Typical Applications**

**Cable Termination**



**Internal Battery Connection**



**Charging Base for Portable Instruments**



**PCB Connection**

