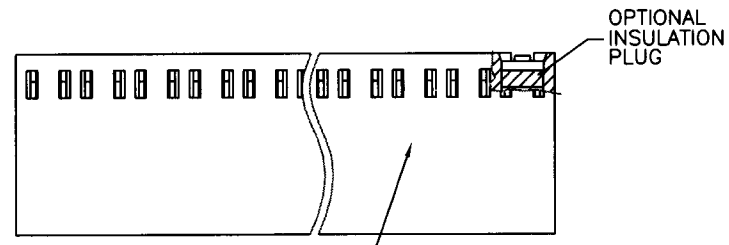


Tous droits strictement réservés. Reproduction ou communication a des tiers interdite sous quelque forme que ce soit sans autorisation écrite du propriétaire. Propriété de ©BERG ELECTRONICS. Droits de reproduction BERG ELECTRONICS INC.

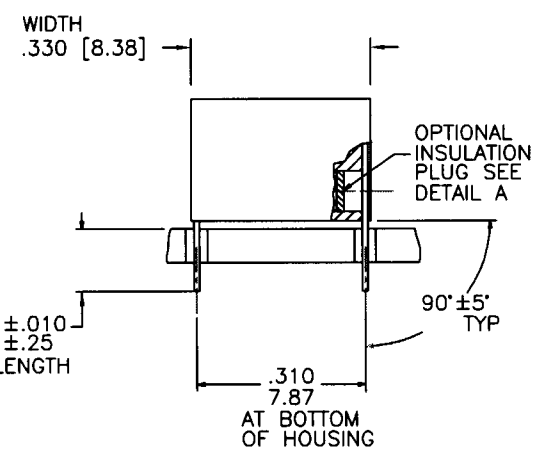
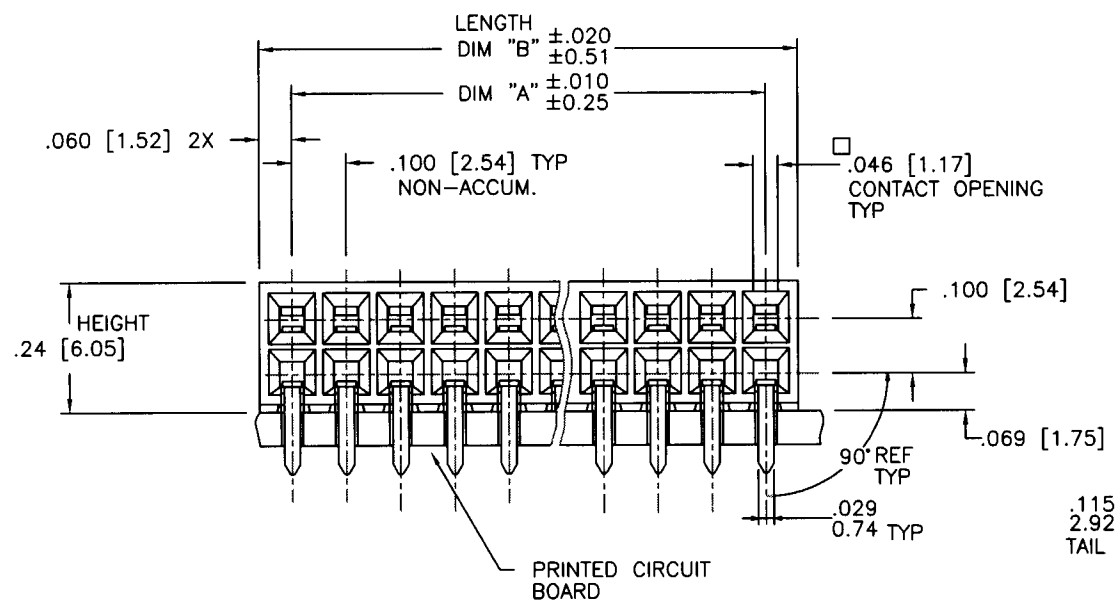
**BERG**  
ELECTRONICS

All rights strictly reserved. Reproduction or issue to third parties in any form whatever is not permitted without written authority from the proprietor. Property of ©BERG ELECTRONICS Copyright BERG ELECTRONICS INC.

PRODUCT NUMBER  
SEE TABLE



NOTE 3



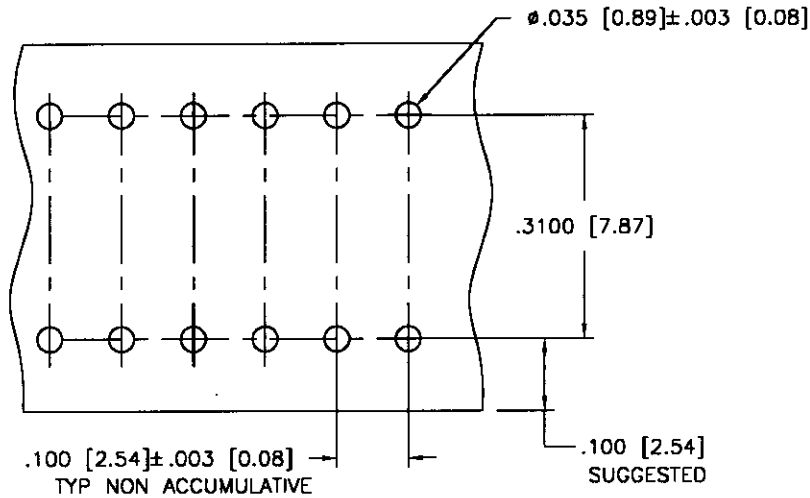
mat'l. code NOTE 1 & 2				tolerances unless otherwise specified				CUSTOMER COPY		<b>BERG</b> ELECTRONICS	
ltr	ecn no	dr	date	linear	.XX ±.01/.3			projection	title		
F	CHG	CHTS	JGS		3/16/90	.XXX ±.005/.13			2 X .100/2.54 HORIZ. CARD CONNECTOR		
G	V61635	MDF	12/2/96	angles	.XXX ±.0020/.051			INCH/MM	product family		code
H	V70995	JM	10/19/97		0° ±2'				CARD CONN.		-
				dr	J. SHREINER	3/16/90	scale		size		sheet
				engr	M. HAHN	3/16/90	3:1		A		66928
				chr	M. HAHN	3/16/90					1 of 8
				appd	M. HAHN	3/16/90					
sheet	revision	H	G	G	G	G	G				
index	sheet	1	2	3	4	5	6	7	8		

Tous droits strictement reserves. Reproduction ou communication a des tiers interdite sous quelque forme que ce soit sans autorisation écrite du propriétaire. Propriété de ©BERG ELECTRONICS. Droits de reproduction BERG ELECTRONICS INC.

All rights strictly reserved. Reproduction or issue to third parties in any form whatever is not permitted without written authority from the proprietor. Property of ©BERG ELECTRONICS Copyright BERG ELECTRONICS INC.



PRODUCT NUMBER  
SEE TABLE



RECOMMENDED MOUNTING  
HOLE PATTERN  
SCALE 4/1

NOTES:

- ① HOUSING MATERIAL:  
THERMOPLASTIC POLYESTER,  
FLAME RETARDANT PER UL 94V-0.  
COLOR:  
BLACK
- ② TERMINAL MATERIAL:  
BODY: BRASS, .010/.25 THICK.  
SPRING: BE - CU, HEAT TREATED.  
BODY PLATING: 100u"/2.54u TIN LEAD IN CONTACT AREA.  
SPRING PLATING: Au FLASH.
3. MARKING: "BERG", BERG PART NUMBER AND DATE CODE.  
STANDARD MARKING ON PARTS 2X8 OR LESS IS ON TUBE LABEL  
INSTEAD OF HOUSING.
4. APPLICATION INFORMATION:  
A. RECOMMENDED MOUNTING HOLE PATTERN IS SHOWN IN FIGURE #1".  
B. ALL MATING PINS TO BE .025/0.64 SQUARE ON TRUE  
CENTER OF GIVEN TERMINAL SPACING WITHIN .015/0.38 DIA.  
C. SUGGESTED MATING PIN LENGTH .350±.020/8.89±0.51.

mat'l. code				tolerances unless otherwise specified		CUSTOMER COPY			
ltr	ecn no	dr	date	linear	.XX ±.01/.3	projection	title		
G					.XXX ±.005/.13		2 X .100/2.54 CARD CONNECTOR		
				angles	.XXXX ±.0020/.051		INCH/MM	product family	code
				dr	J. SHREINER 3/16/90	scale	CARD CONN		
				enr	M. HAHN 3/16/90	1:1	size	dwg no	
				chr	M. HAHN 3/16/90		A	66928	
				appd	M. HAHN 3/16/90			sheet	
sheet index	revision sheet							2 of	

Tous droits strictement reserves. Reproduction ou communication a des tiers interdite sous quelque forme que ce soit sans autorisation écrite du propriétaire.  
 Propriete de ©BERG ELECTRONICS. Droits de reproduction BERG ELECTRONICS INC.



All rights strictly reserved. Reproduction or issue to third parties in any form whatever is not permitted without written authority from the proprietor.  
 Property of ©BERG ELECTRONICS Copyright BERG ELECTRONICS INC.

PRODUCT NO.	NO. OF POS.	DIM "A"	DIM "B"	INSULATION PLUG
66928-001	2X1	.80/0.0	.120/3.95	NO
-002	2X2	.10/2.5	.220/5.59	NO
-003	2X3	.20/5.1	.320/8.13	NO
-004	2X4	.30/7.6	.420/10.67	
-005	2X5	.40/10.2	.520/13.21	
-006	2X6	.50/12.7	.620/15.75	
-007	2X7	.60/15.2	.720/18.27	
-008	2X8	.70/17.8	.820/20.83	
-009	2X9	.80/20.3	.920/23.37	
-010	2X10	.90/22.9	1.020/25.91	
-011	2X11	1.00/25.4	1.120/28.45	
-012	2X12	1.10/27.9	1.220/30.99	
-013	2X13	1.20/30.5	1.320/33.53	
-014	2X14	1.30/33.0	1.420/36.07	
-015	2X15	1.40/35.6	1.520/38.61	
-016	2X16	1.50/38.1	1.620/41.15	
-017	2X17	1.60/40.6	1.720/43.69	
-018	2X18	1.70/43.2	1.820/46.23	
-019	2X19	1.80/45.7	1.920/48.77	
-020	2X20	1.90/48.3	2.020/51.31	
-021	2X21	2.00/50.8	2.120/53.85	
-022	2X22	2.10/53.3	2.220/56.39	
-023	2X23	2.20/55.9	2.320/58.93	
-024	2X24	2.30/58.4	2.420/61.47	
-025	2X25	2.40/61.0	2.520/64.01	
-026	2X26	2.50/63.5	2.620/66.55	
-027	2X27	2.60/66.0	2.720/69.09	
-028	2X28	2.70/68.6	2.820/71.63	
-029	2X29	2.80/71.1	2.920/74.17	
-030	2X30	2.90/73.7	3.020/76.71	
-031	2X31	3.00/76.2	3.120/79.25	
-032	2X32	3.10/78.7	3.220/81.79	
-033	2X33	3.20/81.3	3.320/84.33	
-034	2X34	3.30/83.8	3.420/86.87	
-035	2X35	3.40/86.4	3.520/89.41	
-036	2X36	3.50/88.9	3.620/91.95	
-037	2X37	3.60/91.4	3.720/94.49	
-038	2X38	3.70/94.0	3.820/97.03	
-039	2X39	3.80/96.5	3.920/99.57	
66928-040	2X40	3.90/99.1	4.020/102.11	NO

UNASSIGNED  
UNASSIGNED

mat'l. code				tolerances unless otherwise specified		CUSTOMER COPY	<b>BERG ELECTRONICS</b>
ltr	ecn no	dr	date	linear	.XX ± .01/.3		
G				angles	.XXX ± .005/.13 .XXXX ± .0020/.051 σ ± Z'	INCH/MM 	product family CARD CONN code -
				dr	J. SHREINER 3/14/90		
				engr	M. HAHN 3/14/90	sheet 3 of	
				chr	M. HAHN 3/14/90		
				appd	M. HAHN 3/14/90		
sheet index	revision sheet						cage code 22526

Tous droits strictement reserves. Reproduction ou communication a des tiers interdite sous quelque forme que ce soit sans autorisation écrite du propriétaire.  
 Propriete de ©BERG ELECTRONICS. Droits de reproduction BERG ELECTRONICS INC.



All rights strictly reserved. Reproduction or issue to third parties in any form whatever is not permitted without written authority from the proprietor.  
 Property of ©BERG ELECTRONICS Copyright BERG ELECTRONICS INC.

PRODUCT NO.	NO. OF POS.	DIM "A"	DIM "B"	INSULATION PLUG
66928-041	2X41	4.00/101.6	4.120/104.65	NO
-042	2X42	4.10/104.1	4.220/107.19	
-043	2X43	4.20/106.6	4.320/109.73	
-044	2X44	4.30/109.2	4.420/112.27	
-045	2X45	4.40/111.8	4.520/114.81	
-046	2X46	4.50/114.4	4.620/117.35	
-047	2X47	4.60/116.8	4.720/119.89	
-048	2X48	4.70/119.4	4.820/122.43	
-049	2X49	4.80/121.9	4.920/124.97	
-050	2X50	4.90/124.5	5.020/127.51	
-051	2X51	5.00/127.0	5.120/130.05	
-052	2X52	5.10/129.5	5.220/132.59	
-053	2X53	5.20/132.1	5.320/135.15	
-054	2X54	5.30/134.6	5.420/137.67	
-055	2X55	5.40/137.2	5.520/140.21	
-056	2X56	5.50/139.8	5.620/142.76	
-057	2X57	5.60/142.2	5.720/145.29	
-058	2X58	5.70/144.8	5.820/147.83	
-059	2X59	5.80/147.3	5.920/150.37	
-060	2X60	5.90/149.9	6.020/152.91	
-061	2X61	6.00/152.4	6.120/155.45	
-062	2X62	6.10/154.9	6.220/157.99	
-063	2X63	6.20/157.5	6.320/160.53	
-064	2X64	6.30/160.0	6.420/163.07	
-065	2X65	6.40/162.6	6.520/165.61	
-066	2X66	6.50/165.1	6.620/168.15	
-067	2X67	6.60/167.6	6.720/170.69	
-068	2X68	6.70/170.2	6.820/173.23	
-069	2X69	6.80/172.7	6.920/175.77	
-070	2X70	6.90/175.3	7.020/178.31	
-071	2X71	7.00/177.8	7.120/180.85	
-072	2X72	7.10/180.3	7.220/183.39	
-073	2X73	7.20/182.9	7.320/185.93	
-074	2X74	7.30/185.4	7.420/188.47	
-075	2X75	7.40/188.0	7.520/191.01	
-076	2X76	7.50/190.5	7.620/193.55	
-077	2X77	7.60/193.0	7.720/196.09	
-078	2X78	7.70/195.6	7.820/198.63	
-079	2X79	7.80/198.1	7.920/201.17	
66928-080	2X80	7.90/200.7	8.020/203.71	NO

mat'l. code				tolerances unless otherwise specified		CUSTOMER COPY		<b>BERG ELECTRONICS</b>	
ltr	ecn no	dr	date	linear	.XX ±.01/.3		projection	title 2 X .100/2.54 CARD CONNECTOR	
G					.XXX ±.005/.13				
				angles	σ ±Z			product family CARD CONN size dwg no	
				dr	J. SHREINER	3/14/90			
				engr	M. HAHN	3/14/90	scale	sheet 4 of	
				chr	M. HAHN	3/14/90			
				appd	M. HAHN	3/14/90			
sheet index	revision sheet								

Tous droits strictement reserves. Reproduction ou communication a des tiers interdite sous quelque forme que ce soit sans autorisation écrite du propriétaire.  
 Propriete de ©BERG ELECTRONICS. Droits de reproduction BERG ELECTRONICS INC.

All rights strictly reserved. Reproduction or issue to third parties in any form whatever is not permitted without written authority from the proprietor.  
 Property of ©BERG ELECTRONICS Copyright BERG ELECTRONICS INC.



PRODUCT NO.	NO. OF POS.	DIM "A"	DIM "B"	INSULATION PLUG
66928-081	2X81	8.00/203.2	8.120/206.25	NO
-082	2X82	8.10/205.7	8.220/208.79	
-083	2X83	8.20/208.3	8.320/211.33	
-084	2X84	8.30/210.8	8.420/213.87	
-085	2X85	8.40/213.4	8.520/216.41	
-086	2X86	8.50/215.9	8.620/218.95	
-087	2X87	8.60/218.4	8.720/221.49	
-088	2X88	8.70/221.0	8.820/224.03	
-089	2X89	8.80/223.5	8.920/226.57	
-090	2X90	8.90/226.1	9.020/229.11	
-091	2X91	9.00/228.6	9.120/231.65	
-092	2X92	9.10/231.1	9.220/234.19	
-093	2X93	9.20/233.7	9.320/236.73	
-094	2X94	9.30/236.2	9.420/239.27	
-095	2X95	9.40/238.8	9.520/241.81	
-096	2X96	9.50/241.3	9.620/244.35	
-097	2X97	9.60/243.8	9.720/246.89	
-098	2X98	9.70/246.4	9.820/249.43	
-099	2X99	9.80/248.9	9.920/251.97	
66928-100	2X100	9.90/251.5	10.020/254.51	NO

mat'l. code				tolerances unless otherwise specified		CUSTOMER COPY	<b>BERG ELECTRONICS</b>	
ltr	ecn no	dr	date	linear	.XX ± .01/.3	projection	title	2 X .100/2.54 CARD CONNECTOR
G					.XXX ± .005/.13			
				angles	.XXXX ± .0020/.051	INCH/MM	size	dwg no
				dr	0° ± Z			
				enr	J. SHREINER 3/14/90	1:1	sheet 5 of	
				chr	M. HAHN 3/14/90			
				appd	M. HAHN 3/14/90			
sheet index	revision sheet							

All rights strictly reserved. Reproduction or issue to third parties in any form  
 whatever is not permitted without written authority from the proprietor.  
 Property of © BERG ELECTRONICS Copyright BERG ELECTRONICS INC.



Tous droits strictement réservés. Reproduction ou communication o des tiers interdite  
 sous quelque forme que ce soit sans autorisation écrite du propriétaire.  
 Propriete de © BERG ELECTRONICS. Droits de reproduction BERG ELECTRONICS INC.

PRODUCT NO.	NO. OF POS.	DIM 'A'	DIM 'B'	INSULATION PLUG
66928-501	2X1	.80/8.8	.120/3.05	YES
-502	2X2	.10/2.5	.220/5.59	YES
-503	2X3	.20/5.1	.320/8.13	YES
-504	2X4	.30/7.6	.420/10.67	
-505	2X5	.40/10.2	.520/13.21	
-506	2X6	.50/12.7	.620/15.75	
-507	2X7	.60/15.2	.720/18.27	
-508	2X8	.70/17.8	.820/20.83	
-509	2X9	.80/20.3	.920/23.37	
-510	2X10	.90/22.9	1.020/25.91	
-511	2X11	1.00/25.4	1.120/28.45	
-512	2X12	1.10/27.9	1.220/30.99	
-513	2X13	1.20/30.5	1.320/33.53	
-514	2X14	1.30/33.0	1.420/36.07	
-515	2X15	1.40/35.6	1.520/38.61	
-516	2X16	1.50/38.1	1.620/41.15	
-517	2X17	1.60/40.6	1.720/43.69	
-518	2X18	1.70/43.2	1.820/46.23	
-519	2X19	1.80/45.7	1.920/48.77	
-520	2X20	1.90/48.3	2.020/51.31	
-521	2X21	2.00/50.8	2.120/53.85	
-522	2X22	2.10/53.3	2.220/56.39	
-523	2X23	2.20/55.9	2.320/58.93	
-524	2X24	2.30/58.4	2.420/61.47	
-525	2X25	2.40/61.0	2.520/64.01	
-526	2X26	2.50/63.5	2.620/66.55	
-527	2X27	2.60/66.0	2.720/69.09	
-528	2X28	2.70/68.6	2.820/71.63	
-529	2X29	2.80/71.1	2.920/74.17	
-530	2X30	2.90/73.7	3.020/76.71	
-531	2X31	3.00/76.2	3.120/79.25	
-532	2X32	3.10/78.7	3.220/81.79	
-533	2X33	3.20/81.3	3.320/84.33	
-534	2X34	3.30/83.8	3.420/86.87	
-535	2X35	3.40/86.4	3.520/89.41	
-536	2X36	3.50/88.9	3.620/91.95	
-537	2X37	3.60/91.4	3.720/94.49	
-538	2X38	3.70/94.0	3.820/97.03	
-539	2X39	3.80/96.5	3.920/99.57	
66928-540	2X40	3.90/99.6	4.020/102.11	YES

UNASSIGNED  
UNASSIGNED

mat'l. code				tolerances unless otherwise specified			CUSTOMER COPY		<b>BERG ELECTRONICS</b>	
ltr	ecn no	dr	date	linear	.XX ± .01/.3		projection	title 2 X .100/2.54 CARD CONNECTOR		
G					.XXX ± .005/.13					
					.XXXX ± .0020/.051					
				angles	0° ± Z'		INCH/MM scale 1:1	product family CARD CONN		code
				dr	J. SHREINER	3/14/90		size dwg no		-
				enrg	M. HAHN	3/14/90		A 66928		sheet
				chr	M. HAHN	3/14/90				6 of
				appd	M. HAHN	3/14/90				
sheet index	revision sheet							cage code		
								22526		

All rights strictly reserved. Reproduction or issue to third parties in any form  
 whatever is not permitted without written authority from the proprietor.  
 Property of © BERG ELECTRONICS Copyright BERG ELECTRONICS INC.



Tous droits strictement réservés. Reproduction ou communication à des tiers interdite  
 sous quelque forme que ce soit sans autorisation écrite du propriétaire.  
 Propriété de © BERG ELECTRONICS. Droits de reproduction BERG ELECTRONICS INC.

PRODUCT NO.	NO. OF POS.	DIM "A"	DIM "B"	INSULATION PLUG
66928-541	2X41	4.00/101.6	4.120/104.65	YES
-542	2X42	4.10/104.1	4.220/107.19	
-543	2X43	4.20/106.7	4.320/109.73	
-544	2X44	4.30/109.2	4.420/112.27	
-545	2X45	4.40/111.8	4.520/114.81	
-546	2X46	4.50/114.3	4.620/117.35	
-547	2X47	4.60/116.8	4.720/119.89	
-548	2X48	4.70/119.4	4.820/122.43	
-549	2X49	4.80/121.9	4.920/124.97	
-550	2X50	4.90/124.5	5.020/127.51	
-551	2X51	5.00/127.0	5.120/130.05	
-552	2X52	5.10/129.5	5.220/132.59	
-553	2X53	5.20/132.1	5.320/135.15	
-554	2X54	5.30/134.6	5.420/137.67	
-555	2X55	5.40/137.2	5.520/140.21	
-556	2X56	5.50/139.7	5.620/142.76	
-557	2X57	5.60/142.2	5.720/145.29	
-558	2X58	5.70/144.8	5.820/147.83	
-559	2X59	5.80/147.3	5.920/150.37	
-560	2X60	5.90/149.9	6.020/152.91	
-561	2X61	6.00/152.4	6.120/155.45	
-562	2X62	6.10/154.9	6.220/157.99	
-563	2X63	6.20/157.5	6.320/160.53	
-564	2X64	6.30/160.0	6.420/163.07	
-565	2X65	6.40/162.6	6.520/165.61	
-566	2X66	6.50/165.1	6.620/168.15	
-567	2X67	6.60/167.6	6.720/170.69	
-568	2X68	6.70/170.2	6.820/173.23	
-569	2X69	6.80/172.7	6.920/175.77	
-570	2X70	6.90/175.3	7.020/178.31	
-571	2X71	7.00/177.8	7.120/180.85	
-572	2X72	7.10/180.3	7.220/183.39	
-573	2X73	7.20/182.9	7.320/185.93	
-574	2X74	7.30/185.4	7.420/188.47	
-575	2X75	7.40/188.0	7.520/191.01	
-576	2X76	7.50/190.5	7.620/193.55	
-577	2X77	7.60/193.0	7.720/196.09	
-578	2X78	7.70/195.6	7.820/198.63	
-579	2X79	7.80/198.1	7.920/201.17	
66928-580	2X80	7.90/200.7	8.020/203.71	YES

mat'l. code		tolerances unless otherwise specified		CUSTOMER COPY		<b>BERG ELECTRONICS</b>	
ltr	ecn no	dr	date	linear	.XX ± .01 / 3	projection	title
g							
				angles	σ ± Z'	INCH/MM	product family CARD CONN
				dr	J. SHREINER 3/14/90		
				enr	M. HAHN 3/14/90	1:1	size
				chr	M. HAHN 3/14/90		
				appd	M. HAHN 3/14/90	cage code	22526
sheet index	revision sheet						

Tous droits strictement reserves. Reproduction ou communication a des tiers interdite sous quelque forme que ce soit sans autorisation écrite du propriétaire.  
 Propriete de ©BERG ELECTRONICS. Droits de reproduction BERG ELECTRONICS INC.

All rights strictly reserved. Reproduction or issue to third parties in any form whatever is not permitted without written authority from the proprietor.  
 Property of ©BERG ELECTRONICS Copyright BERG ELECTRONICS INC.



PRODUCT NO.	NO. OF POS.	DIM "A"	DIM "B"	INSULATION PLUG
66928-581	2X81	8.00/203.2	8.120/206.25	YES
-582	2X82	8.10/205.7	8.220/208.79	
-583	2X83	8.20/208.3	8.320/211.33	
-584	2X84	8.30/210.8	8.420/213.87	
-585	2X85	8.40/213.4	8.520/226.41	
-586	2X86	8.50/215.9	8.620/218.95	
-587	2X87	8.60/218.4	8.720/221.49	
-588	2X88	8.70/221.0	8.820/224.03	
-589	2X89	8.80/223.5	8.920/226.57	
-590	2X90	8.90/226.1	9.020/229.11	
-591	2X91	9.00/228.6	9.120/231.65	
-592	2X92	9.10/231.1	9.220/234.19	
-593	2X93	9.20/233.7	9.320/236.73	
-594	2X94	9.30/236.2	9.420/239.27	
-595	2X95	9.40/238.8	9.520/241.81	
-596	2X96	9.50/241.3	9.620/244.35	
-597	2X97	9.60/243.8	9.720/246.89	
-598	2X98	9.70/246.4	9.820/249.43	
-599	2X99	9.80/248.9	9.920/251.97	
66928-600	2X100	9.90/251.5	10.020/254.51	YES

PRODUCT NO.	NO. OF POS.	DIM "A"	DIM "B"	INSULATION PLUG	SPECIAL
66928-801	2X4	.30/7.6	.400/10.16	NO	XXXX FRONT
66928-802	2X6	.50/12.70	.600/15.24	NO	XXXX FRONT

— OBSOLETE  
 — OBSOLETE

mot'l. code				tolerances unless otherwise specified		CUSTOMER COPY		<b>BERG ELECTRONICS</b>	
l/r	ecr no	dr	date	linear	.XX ±.01/.3	projection		title	
G					.XXX ±.005/.13			2 X .100/2.54	
				angles	.XXXX ±.0020/.051	INCH/MM		product family CARD CONN	
				dr	0° ±2'	scale		size	
				enr	J. SHREINER 3/14/90	1:1		A 66928	
				chr	M. HAHN 3/14/90			code	
				appd	M. HAHN 3/14/90			sheet	
sheet index	revision sheet							B of	