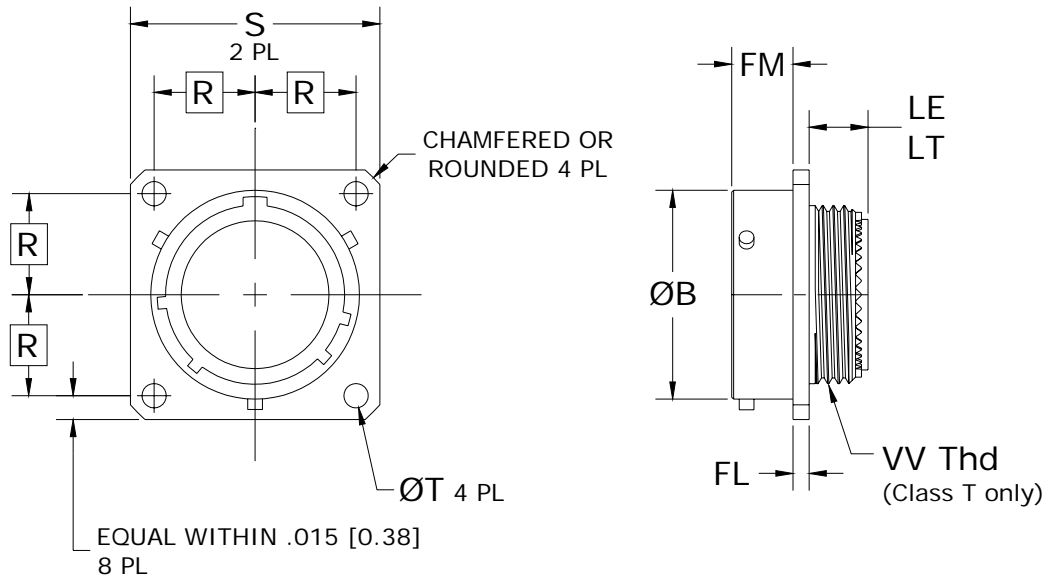


MS27472

Square Flange Wall Mount Environment Resisting Receptacle

MIL-DTL-38999

Series II Receptacles



SHELL SIZE	ØB +.001/-0.005 [+0.03/-0.13]	FL +.011/-0.000 [+0.28/-0.00]	FM +.000/-0.005 [+0.00/-0.13]	LE MAX (CLASS E)	LT MAX (CLASS T)	R	S MAX	ØT +.010/-0.005 [+0.25/-0.13]	VV Thd CLASS 2A UNEF
8	.473 [12.01]	.058 [1.47]	.322 [8.18]	.562 [14.27]	.391 [9.93]	.297 [7.54]	.828 [21.03]	.120 [3.05]	.4375-28
10	.590 [14.99]	.058 [1.47]	.322 [8.18]	.562 [14.27]	.391 [9.93]	.3595 [9.13]	.954 [24.23]	.120 [3.05]	.5625-24
12	.750 [190.5]	.058 [1.47]	.322 [8.18]	.562 [14.27]	.391 [9.93]	.406 [10.31]	1.047 [26.59]	.120 [3.05]	.6875-24
14	.875 [22.23]	.058 [1.47]	.322 [8.18]	.562 [14.27]	.391 [9.93]	.453 [11.51]	1.141 [28.98]	.120 [3.05]	.8125-20
16	1.000 [25.40]	.058 [1.47]	.322 [8.18]	.562 [14.27]	.391 [9.93]	.4845 [12.31]	1.234 [31.34]	.120 [3.05]	.9375-20
18	1.125 [25.58]	.058 [1.47]	.322 [8.18]	.562 [14.27]	.391 [9.93]	.531 [13.40]	1.328 [33.73]	.120 [3.05]	1.0625-18
20	1.250 [31.75]	.058 [1.47]	.322 [8.18]	.562 [14.27]	.391 [9.93]	.578 [14.68]	1.453 [36.91]	.120 [3.05]	1.1875-18
22	1.375 [34.93]	.058 [1.47]	.322 [8.18]	.562 [14.27]	.391 [9.93]	.625 [15.88]	1.578 [40.08]	.120 [3.05]	1.3125-18
24	1.500 [38.10]	.058 [1.47]	.322 [8.18]	.562 [14.27]	.469 [11.91]	.6875 [17.46]	1.703 [43.26]	.147 [3.73]	1.4375-18

DIMENSIONS ARE IN INCHES [MILLIMETERS]