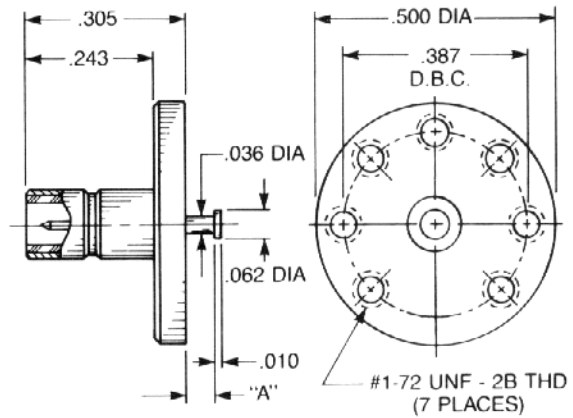


**Straight Male
Top Launch Jack**

- Non-captive contact

Dim. A Part number:

.031	2029-1211-001	(Gold plated)
	2029-7211-001	(Nickel plated)
.063	2029-1211-002	(Gold plated)
	2029-7211-002	(Nickel plated)
.125	2029-1211-003	(Gold plated)
	2029-7211-003	(Nickel plated)



**Right Angle Male
Top Launch Jack**

- Removable rear contact

Dim. A Part number:

.031	2092-1511-001	(Gold plated)
	2092-7511-001	(Nickel plated)
.063	2092-1511-002	(Gold plated)
	2092-7511-002	(Nickel plated)
.125	2092-1511-003	(Gold plated)
	2092-7511-003	(Nickel plated)

