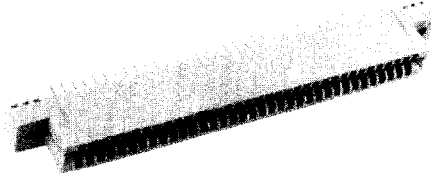


# PC Edgcard Connectors

## Edgcard Connector (One Piece)

An economical one-piece edgcard connector with non-removable contacts. Shell configurations can be ordered with or without an integral mounting flange and the insulator material is of thermo-plastic, rated UL 94V-0.



### Single Row Edgcard Connector

Positions	Straight PC With Mounting Ears	Straight PC Without Mounting Ears
15	121654-1115	—
19	—	121654-0119
35	121654-1135	—
50	121654-1150	—

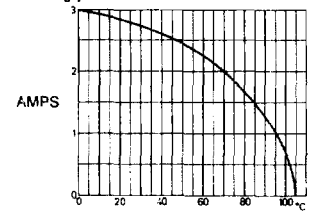
### Double Row Edgcard Connectors

Positions	Straight PC With Mounting Ears	Straight PC Without Mounting Ears
30	121654-1415	—
34	121654-1417	121654-0417
38	121654-1419	—
70	121654-1435	—

### Electrical Data

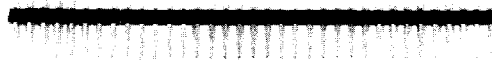
Air and creepage paths	= .026 (0.65)
Test voltage	1000 Vrms
Contact resistance	10 mOhms max.
Insulator resistance	5 x 10 <sup>9</sup> Ohms min.
Capacitance	5 pF max.

### Max. Current rating per contact



## Unshrouded Headers

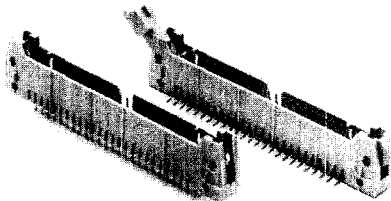
The low profile unshrouded header is available in double row versions accommodating 72 contacts, or single row versions accommodating 36 contacts in straight or right angle solder tails. Unshrouded headers are used to electronically interconnect rigid printed circuit boards with board mount receptacles or ribbon cable socket connectors.



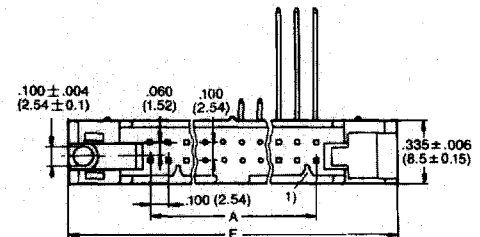
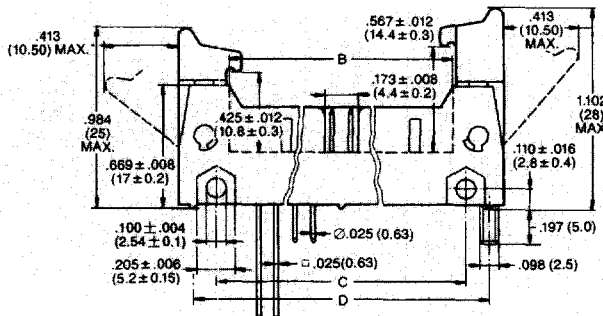
No. of Positions	Part Number	
	Straight	Right Angle
36	121088-7036	121088-2361
72*	121088-1338	121088-7135

\*Right angle unshrouded header is 70 positions.

## Shrouded Pin Headers



No. of Contacts	Without Locking Device		A	B .008 (±0.2)	C .004 (±0.1)	D .005 (±0.13)	E .005 (±0.13)
	Solder pins, straight	Solder pins 90°					
10	121639-2040	121639-2050	.400 (10.16)	.705 (17.91)	.860 (21.84)	1.100 (27.94)	1.265 (32.13)
14	121639-2041	121639-2051	.600 (15.24)	.905 (22.99)	1.060 (26.92)	1.300 (33.02)	1.465 (37.21)
16	121639-2042	121639-2052	.700 (17.78)	1.005 (25.53)	1.160 (29.46)	1.400 (35.56)	1.565 (39.75)
20	121639-2043	121639-2053	.900 (22.86)	1.205 (30.61)	1.360 (34.54)	1.600 (40.64)	1.765 (44.83)
26	121639-2044	121639-2054	1.200 (30.48)	1.505 (38.23)	1.660 (42.16)	1.900 (48.26)	2.065 (52.45)
34	121639-2045	121639-2055	1.600 (40.64)	1.905 (48.39)	2.060 (52.32)	2.300 (58.42)	2.465 (62.61)
40	121639-2046	121639-2056	1.900 (48.26)	2.205 (56.01)	2.360 (59.94)	2.600 (66.04)	2.765 (70.23)
50	121639-2047	121639-2057	2.400 (60.96)	2.705 (68.71)	2.860 (72.64)	3.100 (78.74)	3.265 (82.93)
60	121639-2048	121639-3108N	2.900 (73.66)	3.205 (81.41)	3.360 (85.34)	3.600 (91.44)	3.765 (95.63)
64	121639-3099N	121639-3109N	3.100 (78.74)	3.405 (86.49)	3.560 (90.42)	3.800 (96.52)	3.965 (100.71)



1) Polarizing Key

Locking devices should be ordered separately in pairs. Short Locking Latch — 317-8651-000 (for use without strain relief) Long Locking Latch — 317-8651-001 (for use with strain relief)  
The headers comply with performance class II acc. DIN 41651 (200 mating cycles). For headers with straight and 90° Wire Wrap posts please consult factory.

**ITT Cannon**

1851 E. Deere Ave. P.O. Box 35000, Santa Ana, CA 92705-6500 • (714) 261-5300

Dimensions are shown in inches (millimeters).  
Dimensions subject to change.