

# DATA SHEET

## **TDA8001** Smart card interface

Product specification  
Supersedes data of 1995 Feb 01  
File under Integrated Circuits, IC02

1996 Dec 12

## Smart card interface

## TDA8001

**FEATURES**

- Protected I/O line
- $V_{CC}$  regulation (5 V  $\pm$ 5%, 100 mA max. with controlled rise and fall times)
- $V_{PP}$  generation (12.5, 15 or 21 V  $\pm$ 2.5%, 50 mA max., with controlled rise and fall times) (only at TDA8001 and TDA8001T)
- Clock generation (up to 10 MHz), with synchronous frequency doubling
- Overload, thermal and card extraction protections
- Current limitation in case of short-circuit
- Idle mode and special circuitry for spikes killing during powering on and off
- Two voltage supervisors (digital and analog supplies)
- Automatic activation and deactivation sequences through an independent internal clock
- Enhanced ESD protections on card side (4 kV min.)
- Easy chaining for multiple card readers
- ISO 7816 compatibility.

**APPLICATIONS**

- Pay TV (multistandards conditional access system, videoguard, newsript)
- Multi-application smart card readers (banking, vending machine, electronic payment identification).

**GENERAL DESCRIPTION**

The TDA8001 is a complete, low-cost analog interface which can be positioned between an asynchronous smart card (ISO 7816) and a microcontroller. It is directly compatible with the new Datacom chip verifier.

The complete supply, protection and control functions are realized with only a few external components, making this product very attractive for consumer applications (see Chapter "Application information").

**ORDERING INFORMATION**

TYPE NUMBER	PACKAGE		
	NAME	DESCRIPTION	VERSION
TDA8001; TDA8001A	DIP28	plastic dual in-line package; 28 leads (600 mil)	SOT117-1
TDA8001T; TDA8001AT	SO28	plastic small outline package; 28 leads; body width 7.5 mm	SOT136-1

## Smart card interface

## TDA8001

## QUICK REFERENCE DATA

SYMBOL	PARAMETER	CONDITIONS	MIN.	TYP.	MAX.	UNIT
$V_{DD}$	supply voltage		6.7	–	18	V
$I_{DD}$	supply current	idle mode; $V_{DD} = 12$ V	–	32	–	mA
		active modes; unloaded	–	45	–	mA
$V_{th2}$	threshold voltage on $V_{SUP}$		4.5	–	4.72	V
$V_{th4}$	threshold voltage on $V_{DD}$		6	–	6.5	V
$V_{CC}$	card supply voltage	including static and dynamic loads on 100 nF capacitor	4.75	5.0	5.25	V
$I_{CC}$	card supply current	operating	–	–	–100	mA
		detection	–	–150	–	mA
		limitation	–	–	–200	mA
$V_H$	high voltage supply for $V_{PP}$		–	–	30	V
$V_{PP}$	card programming voltage (only at TDA8001 and TDA8001T) (P = 5, 12.5, 15 and 21 V)	including static and dynamic loads on 100 nF capacitor	P – 2.5%	–	P + 2.5%	V
$I_{PP}$	programming current (read or write mode)	operating	–	–	–50	mA
		detection	–	–75	–	mA
		limitation	–	–	–100	mA
SR	slew rate on $V_{CC}$ and $V_{PP}$ (rise and fall)	maximum load capacitor 150 nF	–	0.38	–	V/ $\mu$ s
$t_{de}$	deactivation cycle duration		75	100	125	$\mu$ s
$f_{clk}$	clock frequency		0	–	8	MHz
$P_{tot}$	continuous total power dissipation	TDA8001; $T_{amb} = +70$ °C; see Fig. 10	–	–	0.92	W
		TDA8001T; $T_{amb} = +70$ °C; see Fig. 11	–	–	2	W
$T_{amb}$	operating ambient temperature		0	–	+70	°C

Smart card interface

TDA8001

**BLOCK DIAGRAM**

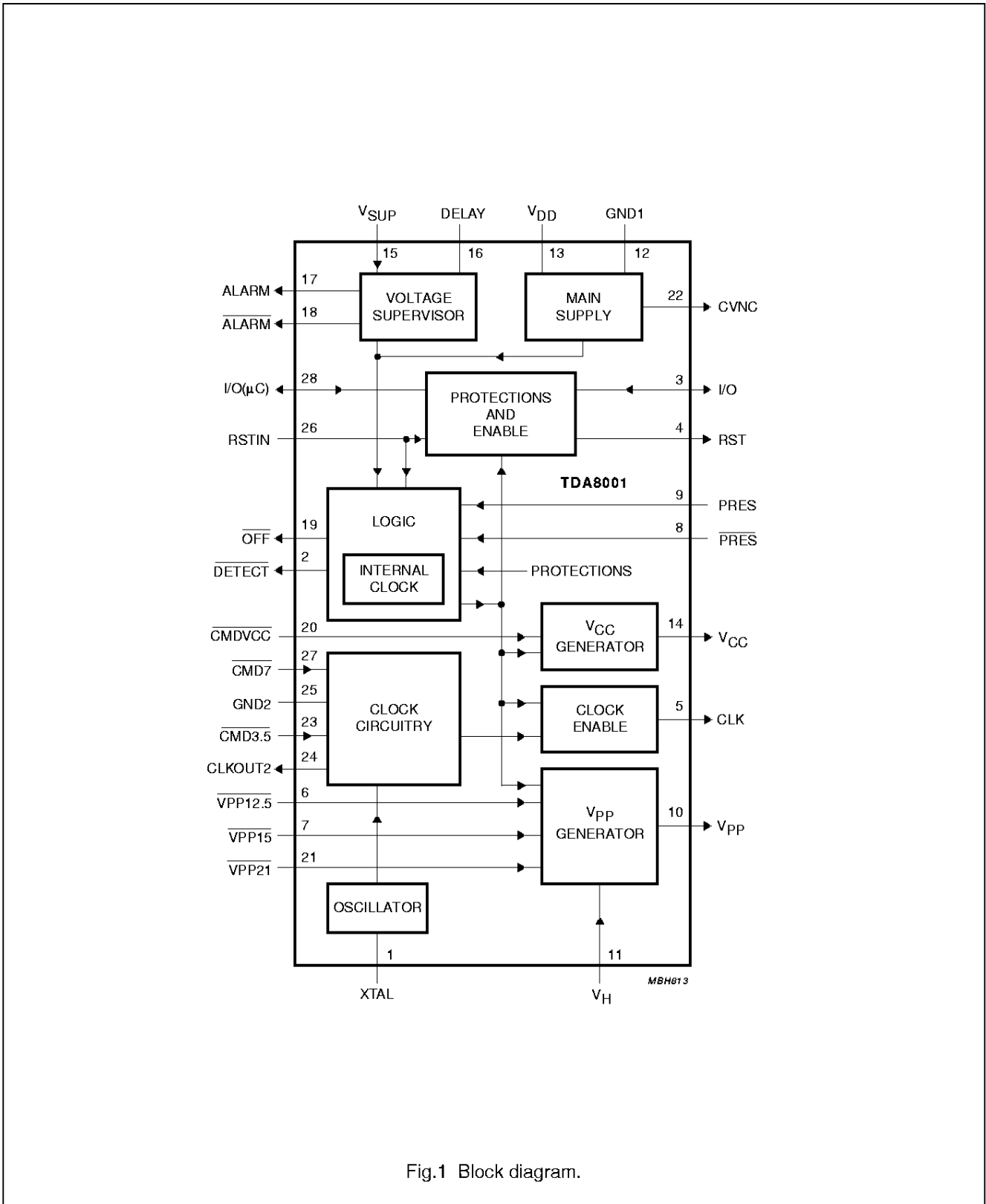


Fig.1 Block diagram.

## Smart card interface

## TDA8001

## PINNING

SYMBOL	PIN		DESCRIPTION
	TDA8001 TDA8001 T	TDA8001 A TDA8001 AT	
XTAL	1	1	crystal connection
DETECT	2	2	card extraction open collector output (active LOW)
I/O	3	3	data line to/from the card
RST	4	4	card reset output
CLK	5	5	clock output to the card
$\overline{VPP12.5}$	6	–	control input for applying the 12.5 V programming voltage (active LOW)
n.c.	–	6	not connected
$\overline{VPP15}$	7	–	control input for applying the 15 V programming voltage (active LOW)
n.c.	–	7	not connected
$\overline{PRES}$	8	8	card presence contact input (active LOW)
PRES	9	9	card presence contact input (active HIGH)
$V_{PP}$	10	–	card programming voltage output
n.c.	–	10	not connected
$V_H$	11	11	HIGH voltage supply for $V_{PP}$ generation
GND1	12	12	ground 1
$V_{DD}$	13	13	positive supply voltage
$V_{CC}$	14	14	card supply output voltage
$V_{SUP}$	15	15	voltage supervisor input
DELAY	16	16	external capacitor connection for delayed reset timing
ALARM	17	17	open-collector reset output for the microcontroller (active HIGH)
$\overline{ALARM}$	18	18	open-collector reset output for the microcontroller (active LOW)
$\overline{OFF}$	19	19	open-collector interrupt output to the microcontroller (active LOW)
$\overline{CMDVCC}$	20	20	control input for applying supply voltage to the card (active LOW)
$\overline{VPP21}$	21	–	control input for applying the 21 V programming voltage (active LOW)
n.c.	–	21	not connected
CVNC	22	22	internally generated 5 V reference, present when $V_{DD}$ is on; to be decoupled externally (100 nF)
$\overline{CMD3.5}$ or $\overline{CDMTC}$	23	23	control input for having the crystal frequency divided-by-4 at pin CLK
CLKOUT2	24	24	clock output to the microcontroller, or any other R4590 (crystal frequency divided by two)
GND2	25	25	ground 2
RSTIN	26	26	card reset input from the microcontroller (active HIGH)
$\overline{CMD7}$ or $\overline{CDMS}$	27	27	control input for having the crystal frequency divided by 2 at pin CLK
I/O( $\mu$ C)	28	28	data line to/from the microcontroller

Smart card interface

TDA8001

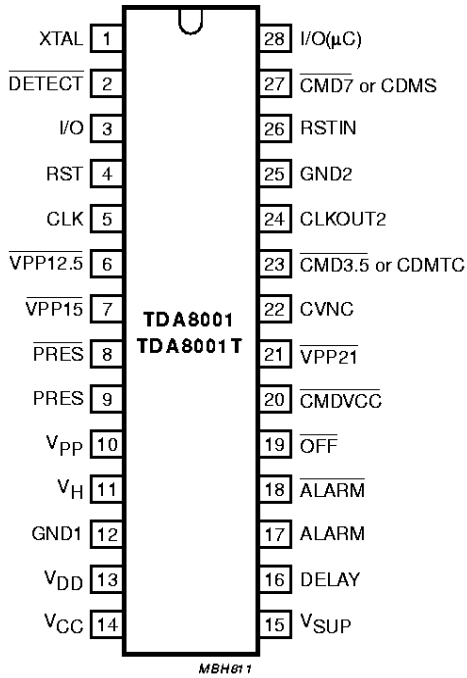


Fig.2 Pin configuration.

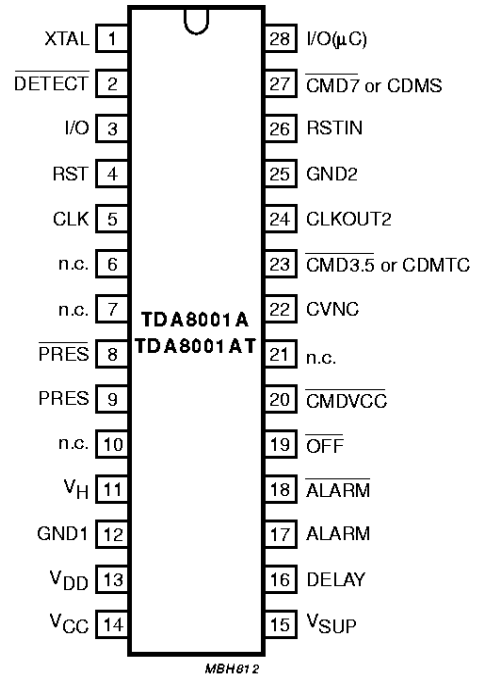


Fig.3 Pin configuration.

## Smart card interface

## TDA8001

**FUNCTIONAL DESCRIPTION****Power supply**

The circuit operates within a supply voltage range of 6.7 to 18 V.  $V_{DD}$  and GND are the supply pins. All card contacts remain inactive during power up or down.

**POWER UP**

The logic part is powered first and is in the reset condition until  $V_{DD}$  reaches  $V_{th1}$ . The sequencer is blocked until  $V_{DD}$  reaches  $V_{th4} + V_{hys4}$ .

**POWER DOWN**

When  $V_{DD}$  falls below  $V_{th4}$ , an automatic deactivation of the contacts is performed.

**Voltage supervisor**

This block surveys the 5 V supply of the microcontroller ( $V_{SUP}$ ) in order to deliver a defined reset pulse and to avoid any transients on card contacts during power up or down of  $V_{SUP}$ . The voltage supervisor remains active even if  $V_{DD}$  is powered-down.

**POWER ON**

As long as  $V_{SUP}$  is below  $V_{th2} + V_{hys2}$  the capacitor  $C_{DEL}$ , connected to pin DELAY, will be discharged. When  $V_{SUP}$  rises to the threshold level,  $C_{DEL}$  will be recharged.

$\overline{ALARM}$  and  $\overline{ALARM}$  remain active, and the sequencer is blocked until the voltage on the DELAY line reaches  $V_{th3}$ .

**POWER DOWN (see Fig.4)**

If  $V_{SUP}$  falls below  $V_{th2}$ ,  $C_{DEL}$  will be discharged,  $\overline{ALARM}$  and  $\overline{ALARM}$  become active, and an automatic deactivation of the contacts is performed.

**Clock circuitry (see Fig.5)**

The clock signal (CLK) can be applied to the card in two different methods:

1. Generation by a crystal oscillator: the crystal, or the ceramic resonator (4 to 16 MHz) is connected to the XTAL pin.
2. Use of a signal frequency (up to 20 MHz), already present in the system and connected to the XTAL pin via a 10 nF capacitor (see Fig.14). In both cases the frequency is first divided-by-two.

If  $\overline{CMD7}$  (respectively  $\overline{CMD3.5}$ ) is LOW, the clock signal (its frequency again divided by two) is enabled and buffered before being fed to the CLK pin.

$\overline{CMD3.5}$  and internal ENRST are sampled in order to give the first clock pulse the correct width, and to avoid false pulses during frequency change.

The CLKOUT2 pins may be used to clock a microcontroller or an other TDA8001. The signal  $\frac{1}{2} f_{xtal}$  is available when the circuit is powered up.

**State diagram**

Once activated, the circuit has six possible modes of operation:

- Idle
- Activation
- Read
- Write
- Deactivation
- Fault.

Figure 6 shows the way these modes are accessible.

**IDLE MODE**

After reset, the circuit enters the IDLE state. A minimum number of circuits are active while waiting for the microcontroller to start a session.

- All card contacts are inactive
- I/O( $\mu$ C) is high impedance
- Voltage generators are stopped
- Oscillator or XTAL input is running, delivering CLKOUT2
- Voltage supervisors are active.

The  $\overline{DETECT}$  line is HIGH if a card is present (PRES and  $\overline{PRES}$  active) and LOW if a card is not present. The OFF line is HIGH if no hardware problem is detected.

**ACTIVATION SEQUENCE**

From the IDLE mode, the circuit enters the ACTIVATION mode when the microcontroller sets the  $\overline{CMDVCC}$  line (active LOW). The I/O( $\mu$ C) signal must not be LOW.

The internal circuitry is activated, the internal clock starts and the sequence according to ISO7816 is performed:

- $V_{CC}$  rises from 0 to 5 V
- $V_{PP}$  rises from 0 to 5 V and I/O is enabled
- CLK and RST are enabled.

The time interval between steps 1 and 2 is 16  $\mu$ s, and 64  $\mu$ s between steps 2 and 3 (see Fig.7).

Smart card interface

TDA8001

READ MODE

When the activation sequence is completed and, after the card has replied its Answer-to-Reset, the TDA8001 will be in the READ mode. Data is exchanged between the card and the microcontroller via the I/O line.

WRITE MODE

Cards with EPROM memory need a programming voltage ( $V_{PP}$ ). When it is required to write to the internal memory of the card, the microcontroller sets one of the  $\overline{VPP12.5}$ ,  $\overline{VPP15}$  and  $\overline{VPP21}$  lines LOW, according to the programming value given in the Answer-to-Reset.  $V_{PP}$  rises from 5 V to the selected value with a typical slew rate of 0.38 V/ $\mu$ s. In order to respect the ISO 7816 slopes, the circuit generates  $V_{PP}$  by charging and discharging an internal capacitor. The voltage on this capacitor is then amplified by a power stage gain of 5, powered via an external supply pin  $V_H$  (30 V max).

DEACTIVATION SEQUENCE (see Fig.8)

When the session is completed, the microcontroller sets the  $\overline{CMDVCC}$  line to its HIGH state. The circuit then executes an automatic deactivation sequence by counting the sequencer back:

- RST falls to LOW and CLK is stopped
- I/O( $\mu$ C) becomes high impedance and  $V_{PP}$  falls to 0 V
- $V_{CC}$  falls to 0 V.

The circuit returns to the IDLE mode on the next rising edge of the clock.

PROTECTIONS

Main fault conditions are monitored by the circuit:

- Short-circuit or overcurrent on  $V_{CC}$
- Short-circuit or overcurrent on  $V_{PP}$
- Card extraction during transaction
- Overheating problem
- $V_{SUP}$  drop-out
- $V_{DD}$  drop-out.

When one of these fault conditions is detected, the circuit pulls the interrupt line  $\overline{OFF}$  to its active LOW state and returns to the FAULT mode. The current on I/O is internally limited to 5 mA.

FAULT MODE (see Fig.9)

When a fault condition is written to the microcontroller via the  $\overline{OFF}$  line, the circuit initiates a deactivation sequence. After the deactivation sequence has been completed, the  $\overline{OFF}$  line is reset to its HIGH state after the microcontroller has reset the  $\overline{CMDVCC}$  line HIGH.

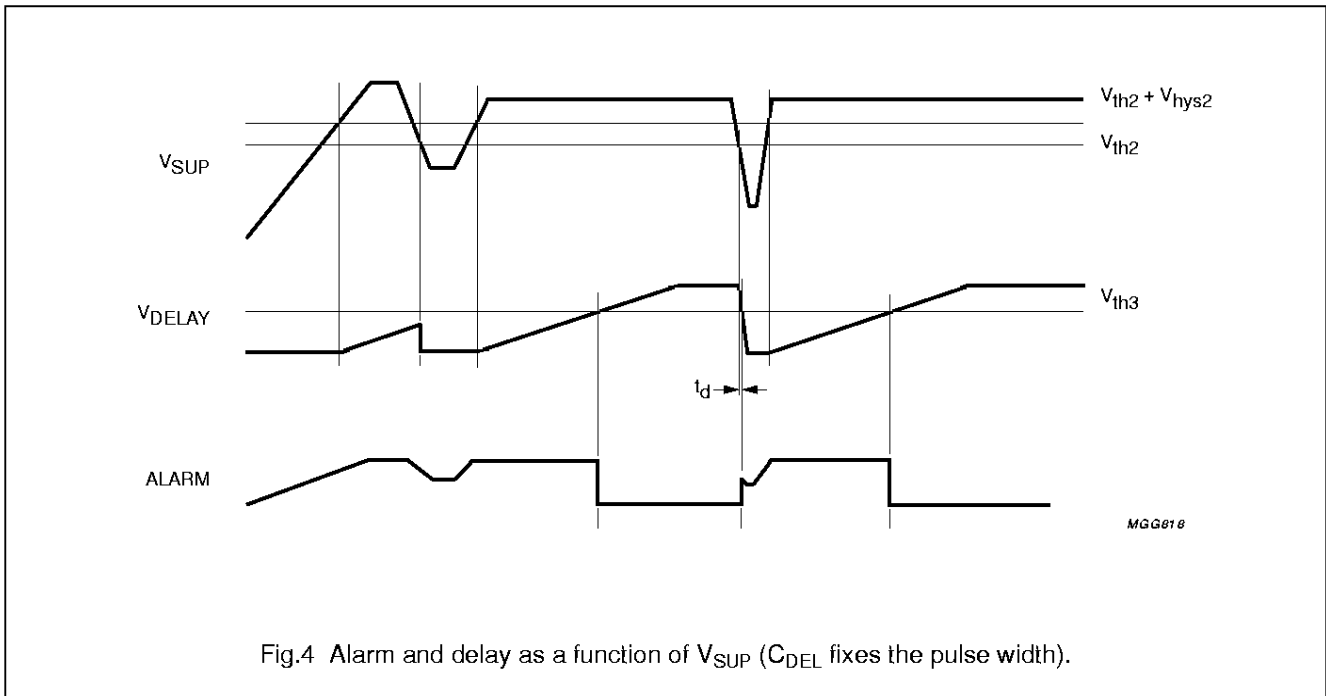
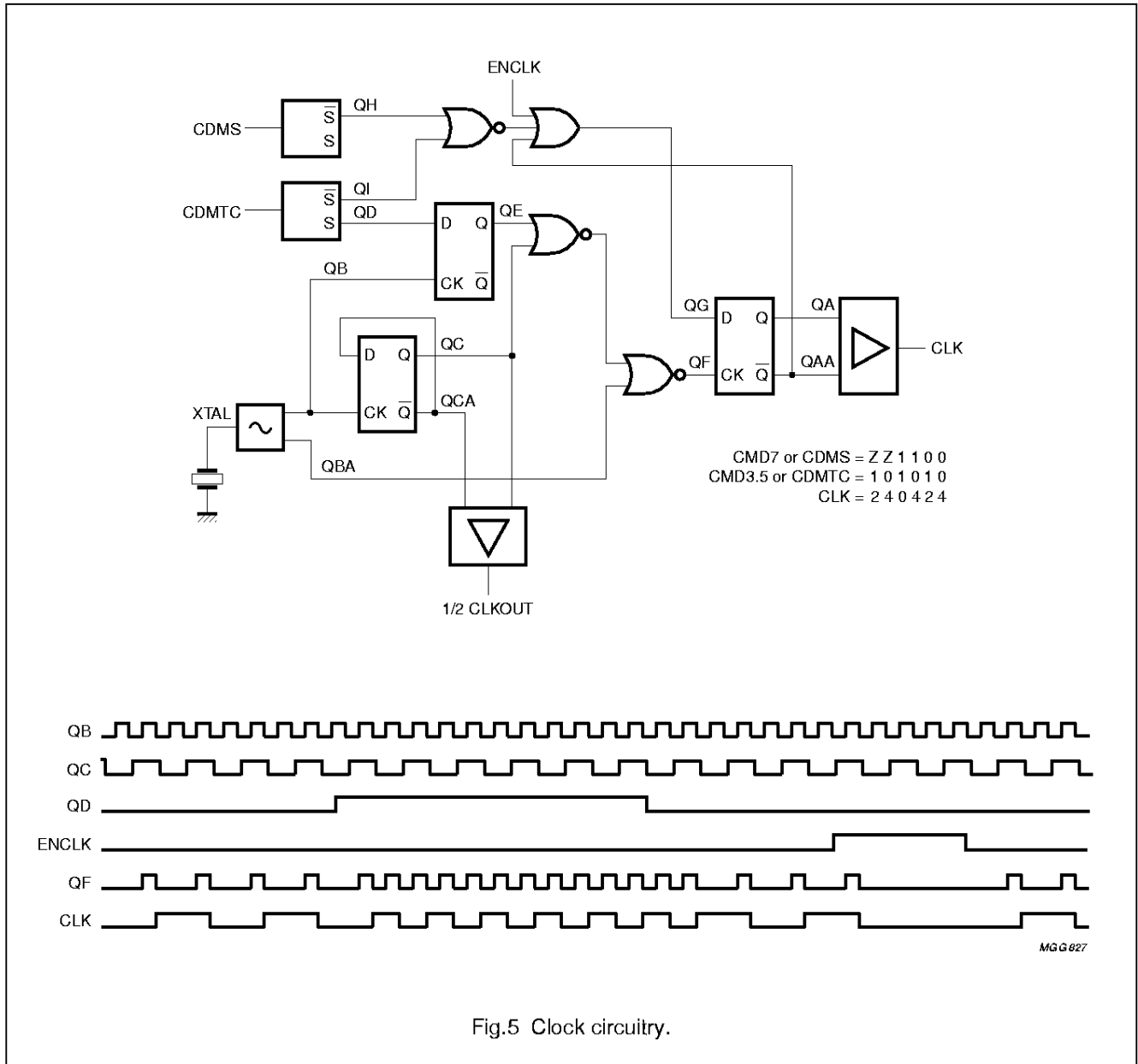


Fig.4 Alarm and delay as a function of  $V_{SUP}$  ( $C_{DEL}$  fixes the pulse width).



Smart card interface

TDA8001



Smart card interface

TDA8001

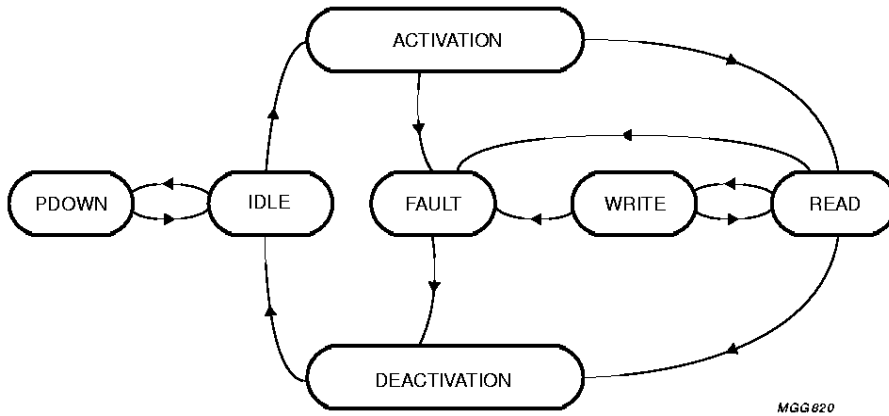


Fig.6 State diagram.

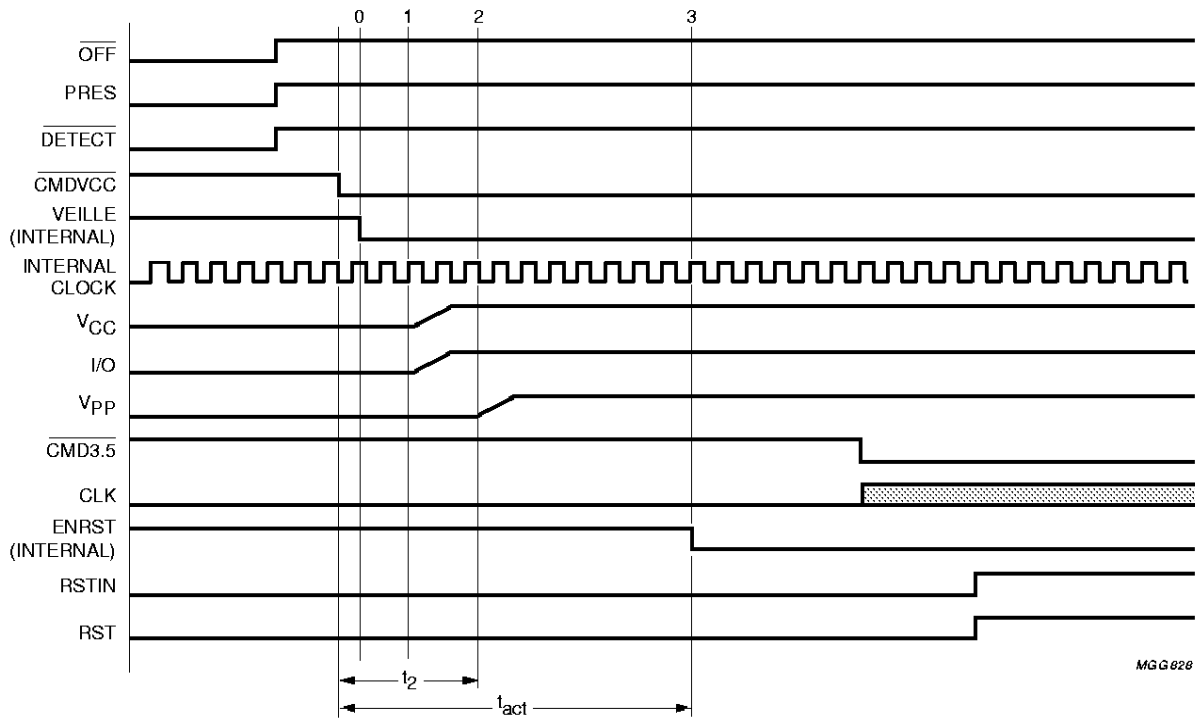


Fig.7 Activation sequence.

Smart card interface

TDA8001

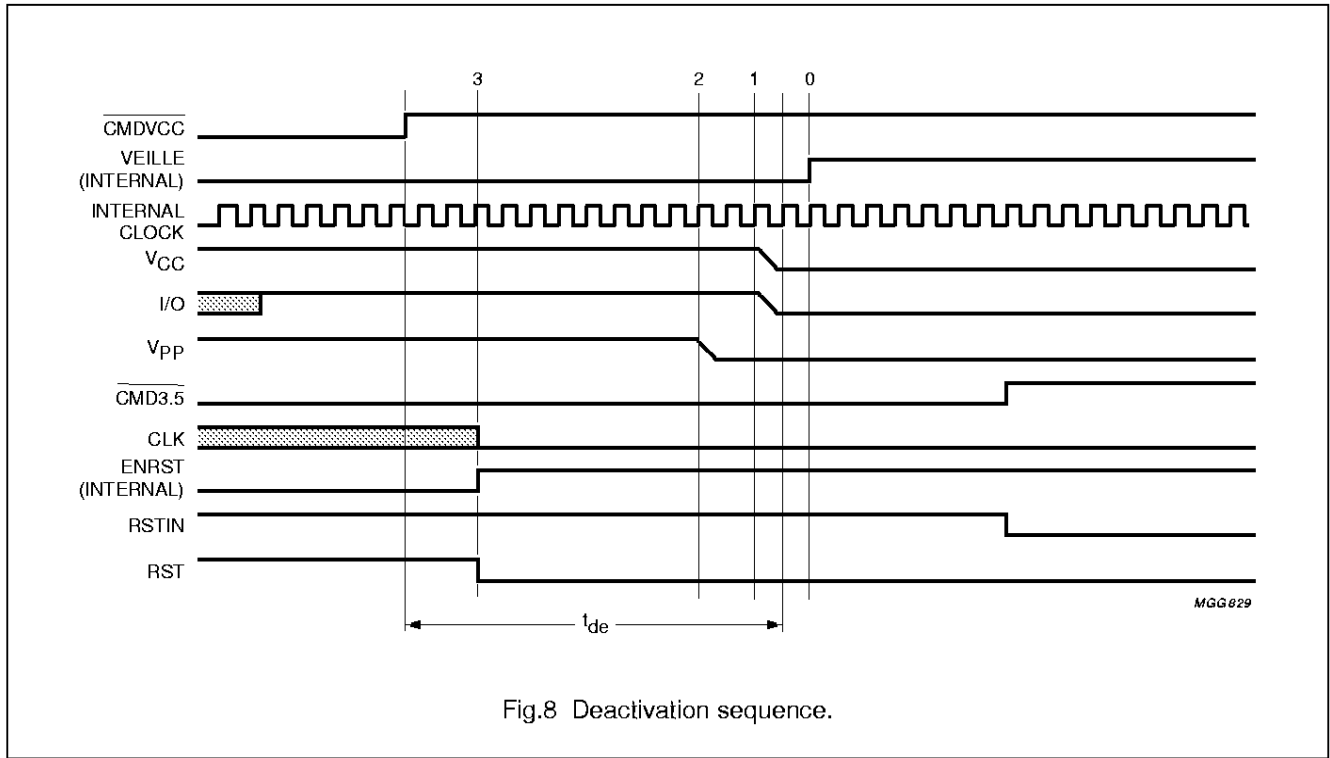


Fig.8 Deactivation sequence.

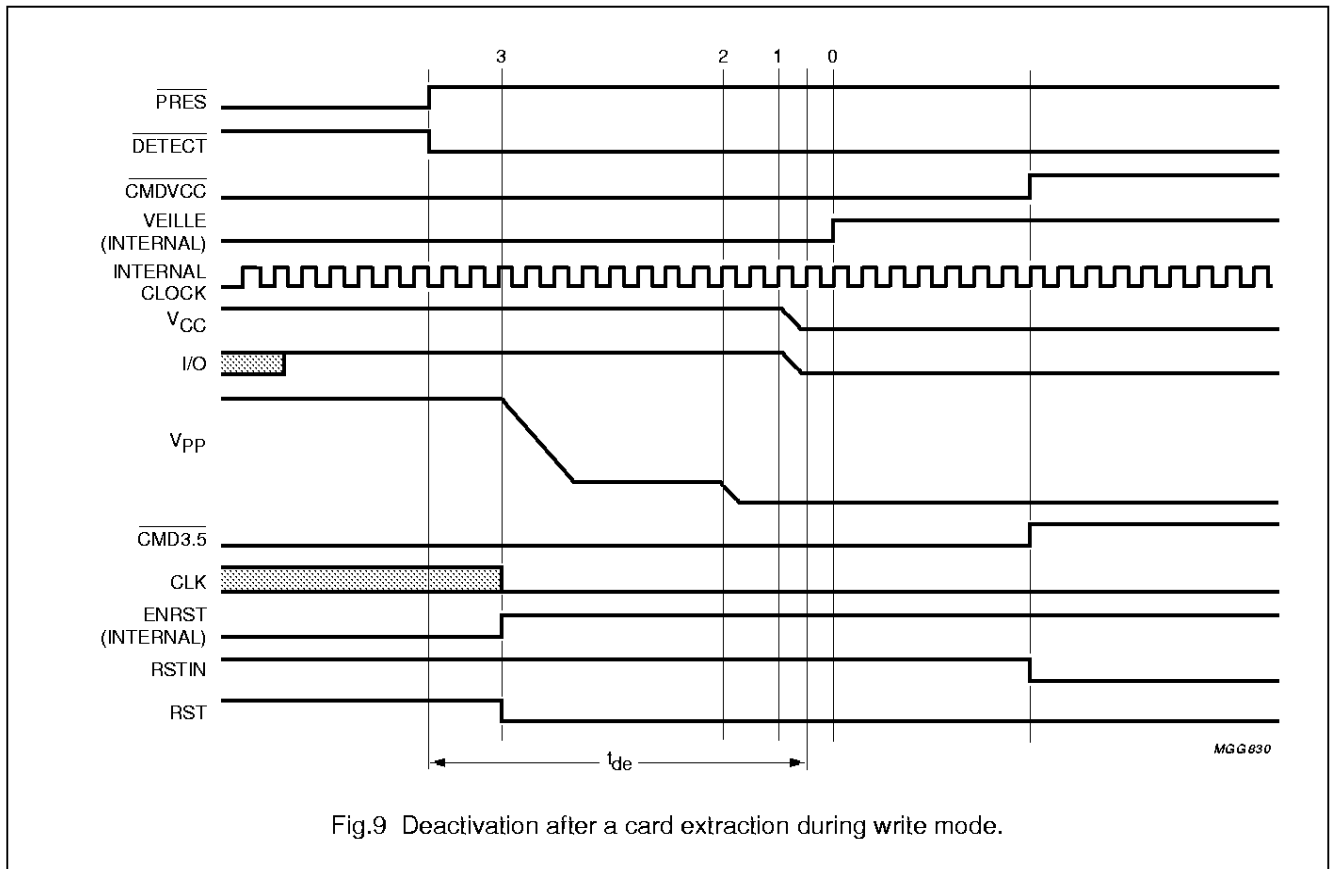


Fig.9 Deactivation after a card extraction during write mode.

Smart card interface

TDA8001

**LIMITING VALUES**

In accordance with the Absolute Maximum Rating System (IEC 134).

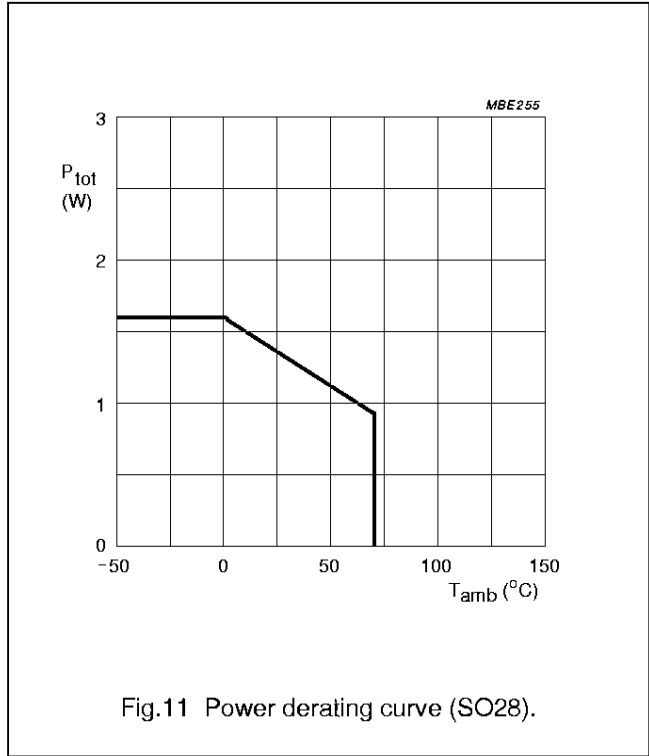
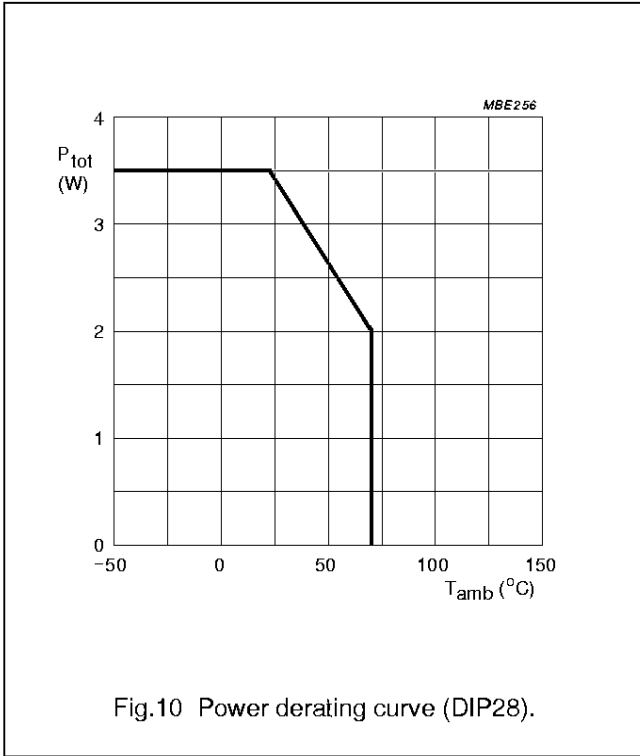
SYMBOL	PARAMETER	CONDITIONS	MIN.	MAX.	UNIT
V <sub>DD</sub>	supply voltage		-0.3	18	V
V <sub>x1</sub>	voltage on pins VPP21, VPP15, VPP12.5, PRES, PRES, CMDVCC, OFF, ALARM, DETECT and RSTIN		0	V <sub>DD</sub>	V
V <sub>H</sub>	voltage on pin V <sub>H</sub>		0	30	V
V <sub>PP</sub>	voltage on pin V <sub>PP</sub>		0	V <sub>H</sub>	V
V <sub>SUP</sub>	voltage on pin V <sub>SUP</sub>		0	12	V
V <sub>x2</sub>	voltage on pins ALARM and DELAY		0	V <sub>SUP</sub>	V
V <sub>x3</sub>	voltage on pins XTAL, I/O(μC), CLKOUT2, CMD7, CMD3.5 and CVNC		0	6.0	V
V <sub>x4</sub>	voltage on pins I/O, RST, CLK and V <sub>CC</sub>	duration < 1 ms	0	7.0	V
P <sub>tot</sub>	continuous total power dissipation	TDA8001; T <sub>amb</sub> = +70 °C; note 1; see Fig.10	-	2	W
		TDA8001T; T <sub>amb</sub> = +70 °C; note 1; see Fig.11	-	0.92	W
T <sub>stg</sub>	storage temperature		-55	+150	°C
V <sub>es</sub>	electrostatic voltage on pins I/O, V <sub>CC</sub> , V <sub>PP</sub> , RST, CLK, PRES and PRES		-6	+6	kV
	electrostatic voltage on other pins		-2	+2	kV

**Note**

- $$P_{tot} = V_{DD} \times (I_{DD(unloaded)} + \sum I_{signals}) + I_{CC} \times (V_{DD} - V_{CC}) + \max.\{(V_H - V_{PP}) \times I_{PP(read)} + (V_H - V_{PP}) \times I_{PP(write)}\} + V_H \times I_{H(unloaded)} + V_{SUP} \times I_{SUP} + (V_{DD} - CVNC) \times I_{CVNC}$$
 where 'signals' means all signal pins, except supply pins.

Smart card interface

TDA8001



**HANDLING**

Every pin withstands the ESD test according to MIL-STD-883C class 3 for card contacts, class 2 for the remaining. Method 3015 (HBM 1500 Ω, 100 pF) 3 pulses positive and 3 pulse negative on each pin referenced to ground.

**THERMAL CHARACTERISTICS**

SYMBOL	PARAMETER	VALUE	UNIT
R <sub>th j-a</sub>	thermal resistance from junction to ambient in free air		
	SOT117-1	30	K/W
	SOT136-1	70	K/W

## Smart card interface

## TDA8001

**CHARACTERISTICS**

$V_{DD} = 12\text{ V}$ ;  $V_H = 25\text{ V}$ ;  $V_{SUP} = 5\text{ V}$ ;  $T_{amb} = 25\text{ }^\circ\text{C}$ ; unless otherwise specified.

SYMBOL	PARAMETER	CONDITIONS	MIN.	TYP.	MAX.	UNIT
<b>Supply</b>						
$V_{DD}$	supply voltage		6.7	–	18	V
$I_{DD}$	supply current	idle mode; $V_{DD} = 8\text{ V}$	20	30	38	mA
		idle mode; $V_{DD} = 18\text{ V}$	22	34	42	mA
		active mode; unloaded	35	45	55	mA
$V_{th1}$	threshold voltage for power-on reset		–	3.0	4.0	V
$V_{th4}$	threshold voltage on $V_{DD}$ (falling)		6.0	–	6.5	V
$V_{hys4}$	hysteresis on $V_{th4}$		50	–	200	mV
<b>Voltage supervisor</b>						
$V_{SUP}$	voltage supply for the supervisor		–	5.0	–	V
$I_{SUP}$	input current at $V_{SUP}$		–	1.8	2.4	mA
$V_{th2}$	threshold voltage on $V_{SUP}$ (falling)		4.5	–	4.72	V
$V_{hys2}$	hysteresis on $V_{th2}$		10	–	80	mV
$V_{th3}$	threshold voltage on DELAY		2.35	–	2.65	V
$I_{DEL}$	output current at DELAY	pin grounded (charge)	–5	–	–2	$\mu\text{A}$
		$V_{DEL} = 4\text{ V}$ (discharge)	6	–	–	mA
$V_{DEL}$	voltage on pin DELAY		–	–	3.5	V
<b>ALARM, ALARM (open-collector outputs)</b>						
$I_{OH}$	HIGH level output current on pin ALARM	$V_{OH} = 5\text{ V}$	–	–	25	$\mu\text{A}$
$V_{OL}$	LOW level output voltage on pin ALARM	$I_{OL} = 2\text{ mA}$	–	–	0.4	V
$I_{OL}$	LOW level output current on pin ALARM	$V_{OL} = 0\text{ V}$	–	–	–25	$\mu\text{A}$
$V_{OH}$	HIGH level output voltage on pin ALARM	$I_{OH} = -2\text{ mA}$	$V_{SUP} - 1$	–	–	V
$t_d$	delay between $V_{SUP}$ and ALARM	$C_{DEL} = 47\text{ nF}$ ; see Fig.4	–	–	10	$\mu\text{s}$
$t_{pulse}$	ALARM pulse width	$C_{DEL} = 47\text{ nF}$	15	–	50	ms
<b>Interrupt lines OFF and DETECT (open-collector)</b>						
$I_{OH}$	HIGH level output current	$V_{OH} = 5\text{ V}$	–	–	25	$\mu\text{A}$
$V_{OL}$	LOW level output voltage	$I_{OL} = 1\text{ mA}$	–	–	0.4	V
<b>Logic inputs (CMDVCC, VPP21, VPP15, VPP12.5, CMD7, CMD3.5, PRES, PRES and RSTIN); note 1</b>						
$V_{IL}$	LOW level input voltage		–	–	0.8	V
$V_{IH}$	HIGH level input voltage		1.5	–	–	V
$I_{IL}$	LOW level input current	$V_{IL} = 0\text{ V}$	–	–	–10	$\mu\text{A}$

Smart card interface

TDA8001

SYMBOL	PARAMETER	CONDITIONS	MIN.	TYP.	MAX.	UNIT
$I_{IH}$	HIGH level input current	$V_{IH} = 5\text{ V}$	–	–	10	$\mu\text{A}$
<b>Reset output to the card (RST)</b>						
$V_{IDLE}$	output voltage in IDLE		–	–	0.4	V
$V_{OL}$	LOW level output voltage	$I_{OL} = 200\ \mu\text{A}$	–	–	0.45	V
$V_{OH}$	HIGH level output voltage	$I_{OH} = -200\ \mu\text{A}$	4.3	–	$V_{CC}$	V
		$I_{OH} = -10\ \mu\text{A}$	$V_{CC} - 0.7$	–	$V_{CC}$	V
$t_{RST}$	delay between RSTIN and RST	RST enabled; see Fig.7	–	–	2	$\mu\text{s}$
<b>Clock output to the card (CLK)</b>						
$V_{IDLE}$	output voltage in IDLE		–	–	0.4	V
$V_{OL}$	LOW level output voltage	$I_{OL} = 200\ \mu\text{A}$	–	–	0.4	V
$V_{OH}$	HIGH level output voltage	$I_{OH} = -200\ \mu\text{A}$	2.4	–	$V_{CC}$	V
		$I_{OH} = -20\ \mu\text{A}$	$0.7V_{CC}$	–	$V_{CC}$	V
		$I_{OH} = -10\ \mu\text{A}$	$V_{CC} - 0.7$	–	$V_{CC}$	V
$t_r$	rise time	$C_L = 30\ \text{pF}$ ; note 2	–	–	14	ns
$t_f$	fall time	$C_L = 30\ \text{pF}$ ; note 2	–	–	14	ns
$\delta$	duty factor	$C_L = 30\ \text{pF}$ ; note 2	45	–	55	%
<b>Card programming voltage (<math>V_{PP}</math>)</b>						
$V_{PP}$	output voltage	idle mode	–	–	0.4	V
		read mode	$V_{CC} - 4\%$	–	$V_{CC} + 4\%$	V
		write mode; $I_{PP} < 50\ \text{mA}$	$P - 2.5\%^{(3)}$	–	$P + 2.5\%^{(3)}$	V
		$\Delta I_{PP}/\Delta t < 40\ \text{mA}/100\ \text{ns}$ ; note 4	$P - 2.5\%^{(3)}$	–	$P + 2.5\%^{(3)}$	V
$I_{PP}$	output current	active; from 0 to P <sup>(3)</sup>	–	–	–50	mA
		$V_{PP}$ shorted to GND	–	–	–100	mA
SR	slew rate	up or down	0.3	0.4	0.5	V/ $\mu\text{s}$
<b>High voltage input (<math>V_H</math>)</b>						
$V_H$	input voltage		–	–	30	V
$I_H$	input current at $V_H$	idle mode; active mode; unloaded	4	–	6	mA
		$P = 5\ \text{V}$	5	–	9	mA
		$P = 12.5\ \text{V}$	6.5	–	10.5	mA
		$P = 15\ \text{V}$	7	–	11	mA
		$P = 21\ \text{V}$	8	–	12	mA
$V_H - V_{PP}$	voltage drop		–	–	2.2	V

Smart card interface

TDA8001

SYMBOL	PARAMETER	CONDITIONS	MIN.	TYP.	MAX.	UNIT
<b>Card supply voltage (V<sub>CC</sub>)</b>						
V <sub>CC</sub>	output voltage	idle mode; active mode	–	–	0.4	V
		I <sub>CC</sub> < 100 mA	4.75	–	5.25	V
		ΔI <sub>pp</sub> /Δt < 100 mA/100 ns; note 4	4.75	–	5.25	V
I <sub>CC</sub>	output current	V <sub>CC</sub> from 0 to 5 V	–	–	–100	mA
		V <sub>CC</sub> shorted to GND	–	–	–200	mA
SR	slew rate	up or down	0.3	0.4	0.5	V/μs
<b>5 V reference output voltage (CVNC)</b>						
V <sub>CVNC</sub>	output voltage at pin CVNC		4.5	5.0	5.5	V
I <sub>CVNC</sub>	output current at pin CVNC		–	–	–50	mA
<b>Crystal connection (XTAL)</b>						
R <sub>xtal(neg)</sub>	negative resistance at pin XTAL	2 MHz < f <sub>i</sub> < 16 MHz; note 5	–	–	300	Ω
V <sub>xtal</sub>	DC voltage at pin XTAL		3.0	–	4.0	V
f <sub>xtal</sub>	resonant frequency		4	–	16	MHz
	external frequency		0	–	20	MHz
<b>Clock output (CLKOUT2)</b>						
f <sub>CLKOUT2</sub>	frequency on CLKOUT2		1	–	8	MHz
V <sub>OL</sub>	LOW level output voltage	I <sub>OL</sub> = 2 mA	–	–	0.4	V
V <sub>OH</sub>	HIGH level output voltage	I <sub>OH</sub> = –200 μA	3.0	–	–	V
		I <sub>OH</sub> = –10 μA	4.0	–	–	V
t <sub>r</sub> , t <sub>f</sub>	rise and fall times	C <sub>L</sub> = 15 pF; note 2	–	–	25	ns
δ	duty factor	C <sub>L</sub> = 15 pF; note 2	40	–	60	%
<b>Data line [I/O, I/O(μC)]</b>						
V <sub>OH</sub>	HIGH level output voltage on pin I/O	4.5 V < V <sub>SUP</sub> < 5.5 V; 4.5 V < V <sub>I/O(μC)</sub> < 5.5 V; I <sub>OH</sub> = –20 μA	4.0	–	V <sub>CC</sub> + 0.1	V
		4.5 V < V <sub>SUP</sub> < 5.5 V; 4.5 V < V <sub>I/O(μC)</sub> < 5.5 V; I <sub>OH</sub> = –200 μA	2.4	–	–	V
V <sub>OL</sub>	LOW level output voltage on pin I/O	I <sub>I/O</sub> = 1 mA; I/O(μC) grounded	–	–	100	mV
I <sub>IL</sub>	LOW level input current on pin I/O(μC)	I/O(μC) grounded	–	–	–500	μA
V <sub>OH</sub>	HIGH level output voltage on pin I/O(μC)	4.5 V < V <sub>I/O</sub> < 5.5 V	4.0	–	V <sub>SUP</sub> + 0.2	V
V <sub>OL</sub>	LOW level output voltage on pin I/O(μC)	I <sub>I/O(μC)</sub> = 1 mA; I/O grounded	–	–	70	mV
I <sub>IL</sub>	LOW level input current on pin I/O	I/O grounded	–	–	–500	μA



Smart card interface

TDA8001

SYMBOL	PARAMETER	CONDITIONS	MIN.	TYP.	MAX.	UNIT
V <sub>IDLE</sub>	voltage on pin I/O outside a session		–	–	0.4	V
Z <sub>IDLE</sub>	impedance on pin I/O(μC) outside a session		10	–	–	MΩ
R <sub>pu</sub>	internal pull-up resistance between pin I/O and V <sub>CC</sub>		8	10	12	kΩ
t <sub>r</sub> , t <sub>f</sub>	rise and fall times	C <sub>i</sub> = C <sub>o</sub> = 30 pF	–	–	0.5	μs
<b>Protections</b>						
T <sub>sd</sub>	shut-down local temperature		–	135	–	°C
I <sub>CC(sd)</sub>	shut-down current at V <sub>CC</sub>		–	–150	–	mA
I <sub>PP(sd)</sub>	shut-down current at V <sub>PP</sub>		–	–75	–	mA
I <sub>I/O(lim)</sub>	current limitation on pin I/O	from I/O to I/O(μC)	3	–	5	mA
<b>Timing</b>						
t <sub>act</sub>	activation sequence duration	see Fig.7	–	110	–	μs
t <sub>de</sub>	deactivation sequence duration	see Fig.8	–	100	–	μs
t <sub>3</sub>	start of the window for sending CLK to the card		–	–	70	μs
t <sub>5</sub>	end of the window for sending CLK to the card		80	–	–	μs
t <sub>st</sub>	maximum pulse width on CMDVCC before V <sub>CC</sub> starts rising		–	–	30	μs

Notes

1. Pins CMDVCC, VPP21, VPP15, VPP12.5, CMD7, CMD3.5 and PRES are active LOW; pins RSTIN and PRES are active HIGH.
2. The transition time and duty cycle definitions are shown in Fig.12;  $\delta = \frac{t_1}{t_1 + t_2}$ .
3. P is the card programming voltage set by pin VPP12.5, VPP15 or VPP21.
4. The tests for dynamic response of both V<sub>PP</sub> and V<sub>CC</sub> are performed at 1 Hz, 10 kHz, 100 kHz and 1 MHz, with a capacitive load of 100 nF.
5. This condition ensures proper starting of the oscillator with crystals having a series resistance up to 100 Ω.

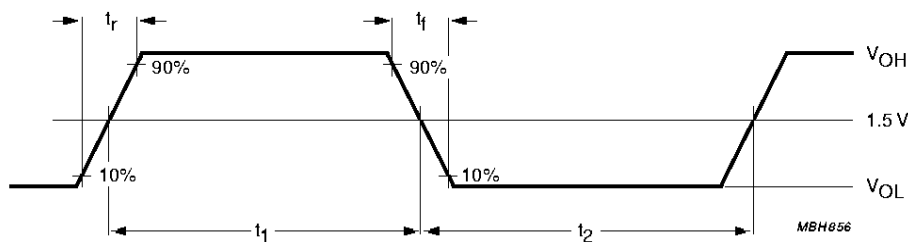


Fig.12 Definition of transition times.

Smart card interface

TDA8001

INTERNAL PIN CONFIGURATION

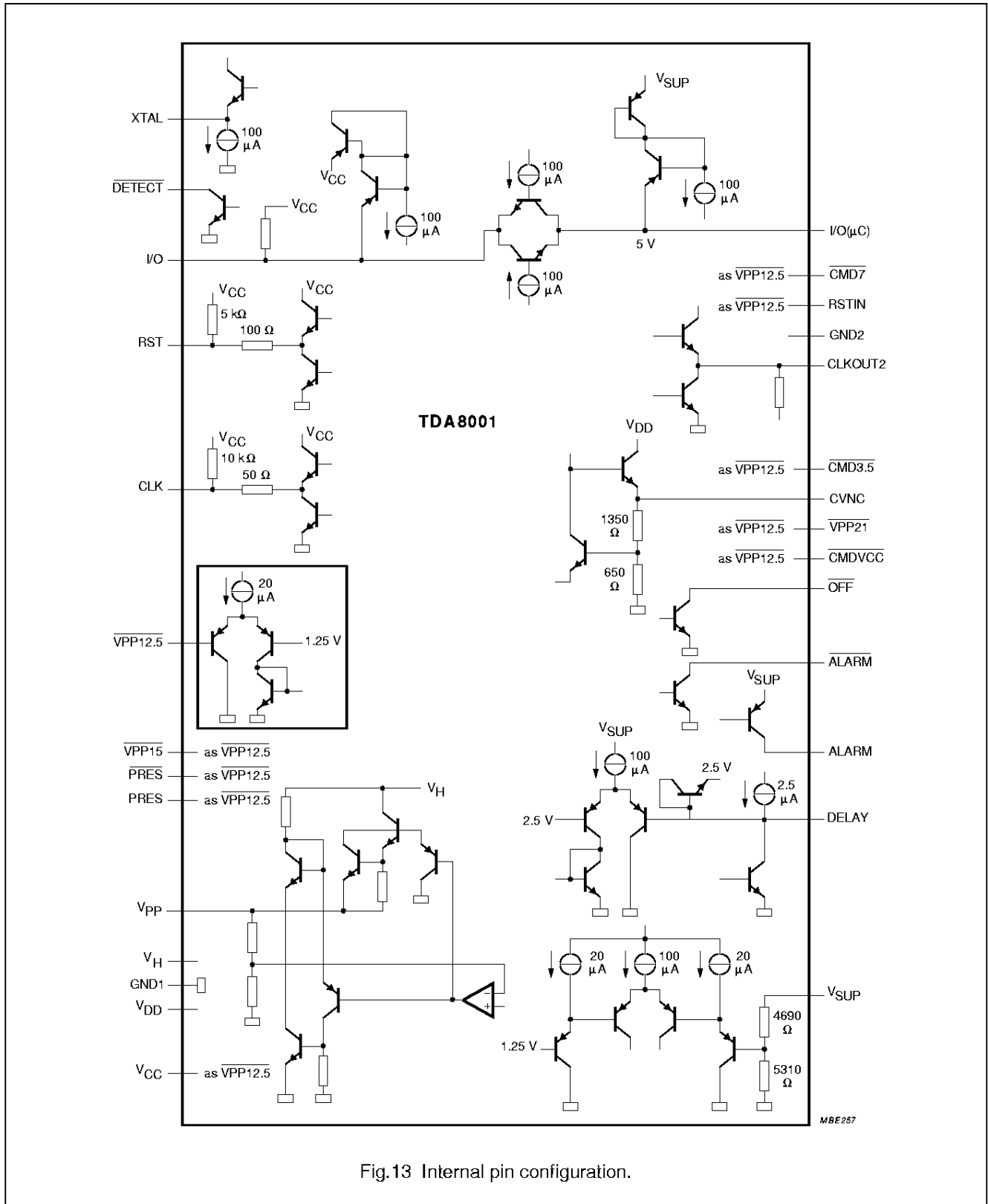


Fig.13 Internal pin configuration.



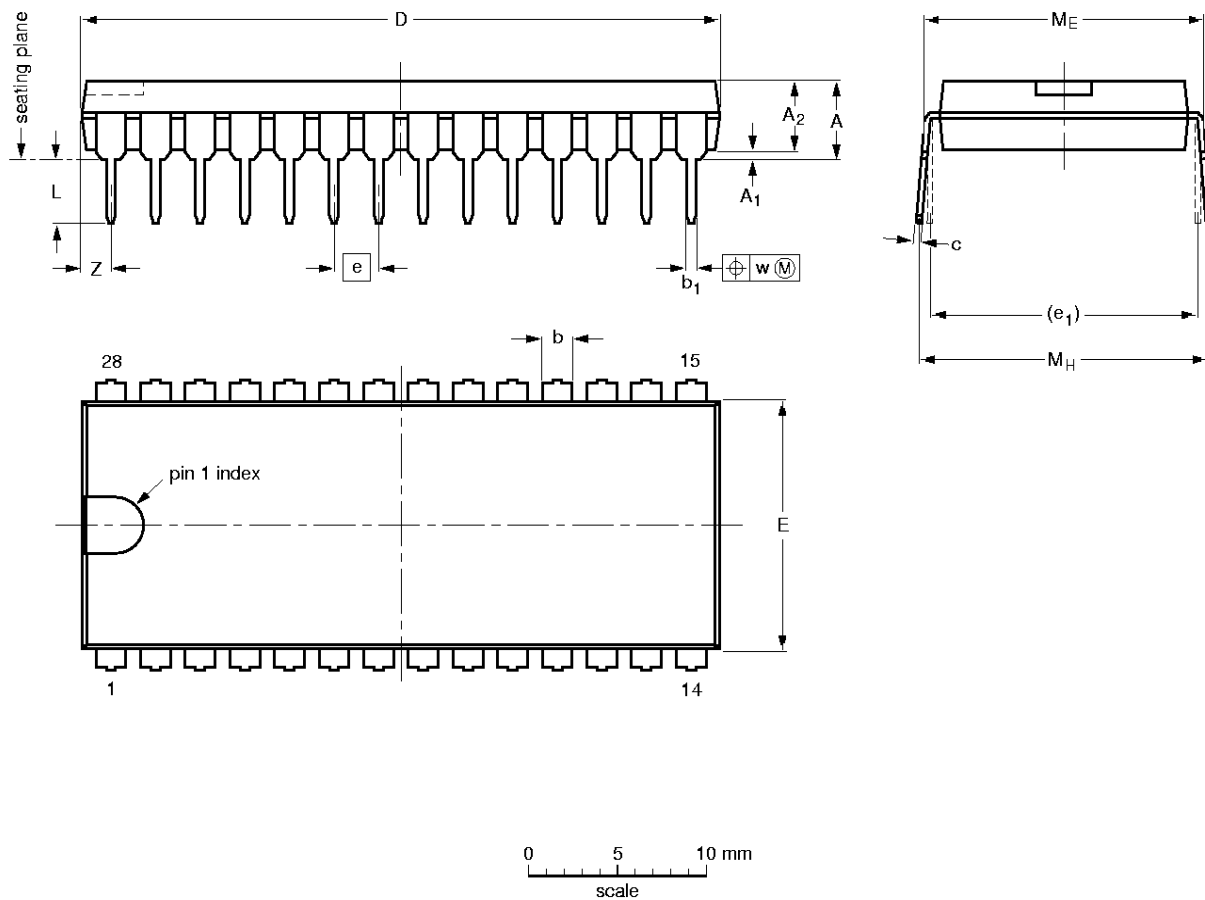
Smart card interface

TDA8001

PACKAGE OUTLINES

DIP28: plastic dual in-line package; 28 leads (600 mil)

SOT117-1



DIMENSIONS (inch dimensions are derived from the original mm dimensions)

UNIT	A max.	A <sub>1</sub> min.	A <sub>2</sub> max.	b	b <sub>1</sub>	c	D <sup>(1)</sup>	E <sup>(1)</sup>	e	e <sub>1</sub>	L	M <sub>E</sub>	M <sub>H</sub>	w	Z <sup>(1)</sup> max.
mm	5.1	0.51	4.0	1.7 1.3	0.53 0.38	0.32 0.23	36.0 35.0	14.1 13.7	2.54	15.24	3.9 3.4	15.80 15.24	17.15 15.90	0.25	1.7
inches	0.20	0.020	0.16	0.066 0.051	0.020 0.014	0.013 0.009	1.41 1.34	0.56 0.54	0.10	0.60	0.15 0.13	0.62 0.60	0.68 0.63	0.01	0.067

Note

1. Plastic or metal protrusions of 0.25 mm maximum per side are not included.

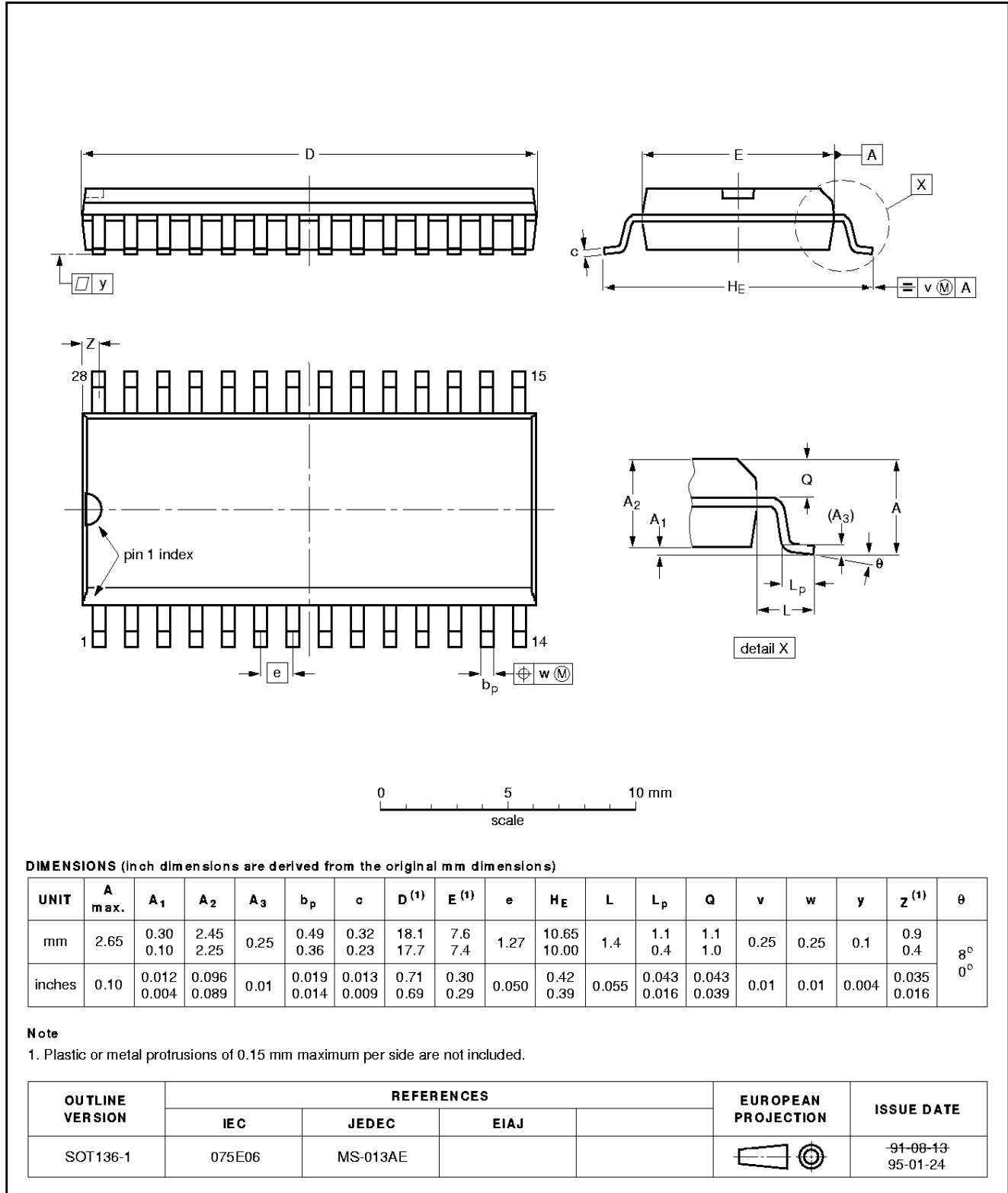
OUTLINE VERSION	REFERENCES				EUROPEAN PROJECTION	ISSUE DATE
	IEC	JEDEC	EIAJ			
SOT117-1	051G05	MO-015AH				92-11-17 95-01-14

Smart card interface

TDA8001

SO28: plastic small outline package; 28 leads; body width 7.5 mm

SOT136-1



## Smart card interface

TDA8001

### SOLDERING

#### Introduction

There is no soldering method that is ideal for all IC packages. Wave soldering is often preferred when through-hole and surface mounted components are mixed on one printed-circuit board. However, wave soldering is not always suitable for surface mounted ICs, or for printed-circuits with high population densities. In these situations reflow soldering is often used.

This text gives a very brief insight to a complex technology. A more in-depth account of soldering ICs can be found in our "*IC Package Databook*" (order code 9398 652 90011).

#### DIP

##### SOLDERING BY DIPPING OR BY WAVE

The maximum permissible temperature of the solder is 260 °C; solder at this temperature must not be in contact with the joint for more than 5 seconds. The total contact time of successive solder waves must not exceed 5 seconds.

The device may be mounted up to the seating plane, but the temperature of the plastic body must not exceed the specified maximum storage temperature ( $T_{stg\ max}$ ). If the printed-circuit board has been pre-heated, forced cooling may be necessary immediately after soldering to keep the temperature within the permissible limit.

##### REPAIRING SOLDERED JOINTS

Apply a low voltage soldering iron (less than 24 V) to the lead(s) of the package, below the seating plane or not more than 2 mm above it. If the temperature of the soldering iron bit is less than 300 °C it may remain in contact for up to 10 seconds. If the bit temperature is between 300 and 400 °C, contact may be up to 5 seconds.

#### SO

##### REFLOW SOLDERING

Reflow soldering techniques are suitable for all SO packages.

Reflow soldering requires solder paste (a suspension of fine solder particles, flux and binding agent) to be applied to the printed-circuit board by screen printing, stencilling or pressure-syringe dispensing before package placement.

Several techniques exist for reflowing; for example, thermal conduction by heated belt. Dwell times vary between 50 and 300 seconds depending on heating method. Typical reflow temperatures range from 215 to 250 °C.

Preheating is necessary to dry the paste and evaporate the binding agent. Preheating duration: 45 minutes at 45 °C.

##### WAVE SOLDERING

Wave soldering techniques can be used for all SO packages if the following conditions are observed:

- A double-wave (a turbulent wave with high upward pressure followed by a smooth laminar wave) soldering technique should be used.
- The longitudinal axis of the package footprint must be parallel to the solder flow.
- The package footprint must incorporate solder thieves at the downstream end.

During placement and before soldering, the package must be fixed with a droplet of adhesive. The adhesive can be applied by screen printing, pin transfer or syringe dispensing. The package can be soldered after the adhesive is cured.

Maximum permissible solder temperature is 260 °C, and maximum duration of package immersion in solder is 10 seconds, if cooled to less than 150 °C within 6 seconds. Typical dwell time is 4 seconds at 250 °C.

A mildly-activated flux will eliminate the need for removal of corrosive residues in most applications.

##### REPAIRING SOLDERED JOINTS

Fix the component by first soldering two diagonally-opposite end leads. Use only a low voltage soldering iron (less than 24 V) applied to the flat part of the lead. Contact time must be limited to 10 seconds at up to 300 °C. When using a dedicated tool, all other leads can be soldered in one operation within 2 to 5 seconds between 270 and 320 °C.

## Smart card interface

TDA8001

**DEFINITIONS**

<b>Data sheet status</b>	
Objective specification	This data sheet contains target or goal specifications for product development.
Preliminary specification	This data sheet contains preliminary data; supplementary data may be published later.
Product specification	This data sheet contains final product specifications.
<b>Limiting values</b>	
Limiting values given are in accordance with the Absolute Maximum Rating System (IEC 134). Stress above one or more of the limiting values may cause permanent damage to the device. These are stress ratings only and operation of the device at these or at any other conditions above those given in the Characteristics sections of the specification is not implied. Exposure to limiting values for extended periods may affect device reliability.	
<b>Application information</b>	
Where application information is given, it is advisory and does not form part of the specification.	

**LIFE SUPPORT APPLICATIONS**

These products are not designed for use in life support appliances, devices, or systems where malfunction of these products can reasonably be expected to result in personal injury. Philips customers using or selling these products for use in such applications do so at their own risk and agree to fully indemnify Philips for any damages resulting from such improper use or sale.

# Philips Semiconductors – a worldwide company

**Argentina:** see South America

**Australia:** 34 Waterloo Road, NORTH RYDE, NSW 2113,  
Tel. +61 2 9805 4455, Fax. +61 2 9805 4466

**Austria:** Computerstr. 6, A-1101 WIEN, P.O. Box 213,  
Tel. +43 1 60 101, Fax. +43 1 60 101 1210

**Belarus:** Hotel Minsk Business Center, Bld. 3, r. 1211, Volodarski Str. 6,  
220050 MINSK, Tel. +375 172 200 733, Fax. +375 172 200 773

**Belgium:** see The Netherlands

**Brazil:** see South America

**Bulgaria:** Philips Bulgaria Ltd., Energoproject, 15th floor,  
51 James Bourchier Blvd., 1407 SOFIA,  
Tel. +359 2 689 211, Fax. +359 2 689 102

**Canada:** PHILIPS SEMICONDUCTORS/COMPONENTS,  
Tel. +1 800 234 7381

**China/Hong Kong:** 501 Hong Kong Industrial Technology Centre,  
72 Tat Chee Avenue, Kowloon Tong, HONG KONG,  
Tel. +852 2319 7888, Fax. +852 2319 7700

**Colombia:** see South America

**Czech Republic:** see Austria

**Denmark:** Prags Boulevard 80, PB 1919, DK-2300 COPENHAGEN S,  
Tel. +45 32 88 2636, Fax. +45 31 57 1949

**Finland:** Sinikalliontie 3, FIN-02630 ESPOO,  
Tel. +358 9 615800, Fax. +358 9 61580/xxx

**France:** 4 Rue du Port-aux-Vins, BP317, 92156 SURESNES Cedex,  
Tel. +33 1 40 99 6161, Fax. +33 1 40 99 6427

**Germany:** Hammerbrookstraße 69, D-20097 HAMBURG,  
Tel. +49 40 23 53 60, Fax. +49 40 23 536 300

**Greece:** No. 15, 25th March Street, GR 17778 TAVROS/ATHENS,  
Tel. +30 1 4894 339/239, Fax. +30 1 4814 240

**Hungary:** see Austria

**India:** Philips INDIA Ltd, Shivsagar Estate, A Block, Dr. Annie Besant Rd.  
Worli, MUMBAI 400 018, Tel. +91 22 4938 541, Fax. +91 22 4938 722

**Indonesia:** see Singapore

**Ireland:** Newstead, Clonskeagh, DUBLIN 14,  
Tel. +353 1 7640 000, Fax. +353 1 7640 200

**Israel:** RAPAC Electronics, 7 Kehilat Saloniki St, TEL AVIV 61180,  
Tel. +972 3 645 0444, Fax. +972 3 649 1007

**Italy:** PHILIPS SEMICONDUCTORS, Piazza IV Novembre 3,  
20124 MILANO, Tel. +39 2 6752 2531, Fax. +39 2 6752 2557

**Japan:** Philips Bldg 13-37, Kohnan 2-chome, Minato-ku, TOKYO 108,  
Tel. +81 3 3740 5130, Fax. +81 3 3740 5077

**Korea:** Philips House, 260-199 Itaewon-dong, Yongsan-ku, SEOUL,  
Tel. +82 2 709 1412, Fax. +82 2 709 1415

**Malaysia:** No. 76 Jalan Universiti, 46200 PETALING JAYA, SELANGOR,  
Tel. +60 3 750 5214, Fax. +60 3 757 4880

**Mexico:** 5900 Gateway East, Suite 200, EL PASO, TEXAS 79905,  
Tel. +9-5 800 234 7381

**Middle East:** see Italy

**Netherlands:** Postbus 90050, 5600 PB EINDHOVEN, Bldg. VB,  
Tel. +31 40 27 82785, Fax. +31 40 27 88399

**New Zealand:** 2 Wagener Place, C.P.O. Box 1041, AUCKLAND,  
Tel. +64 9 849 4160, Fax. +64 9 849 7811

**Norway:** Box 1, Manglerud 0612, OSLO,  
Tel. +47 22 74 8000, Fax. +47 22 74 8341

**Philippines:** Philips Semiconductors Philippines Inc.,  
106 Valero St. Salcedo Village, P.O. Box 2108 MCC, MAKATI,  
Metro MANILA, Tel. +63 2 816 6380, Fax. +63 2 817 3474

**Poland:** Ul. Lukiska 10, PL 04-123 WARSZAWA,  
Tel. +48 22 612 2831, Fax. +48 22 612 2327

**Portugal:** see Spain

**Romania:** see Italy

**Russia:** Philips Russia, Ul. Usatcheva 35A, 119048 MOSCOW,  
Tel. +7 095 247 9145, Fax. +7 095 247 9144

**Singapore:** Lorong 1, Toa Payoh, SINGAPORE 1231,  
Tel. +65 350 2538, Fax. +65 251 6500

**Slovakia:** see Austria

**Slovenia:** see Italy

**South Africa:** S.A. PHILIPS Pty Ltd., 195-215 Main Road Martindale,  
2092 JOHANNESBURG, P.O. Box 7430 Johannesburg 2000,  
Tel. +27 11 470 5911, Fax. +27 11 470 5494

**South America:** Rua do Rocio 220, 5th floor, Suite 51,  
04552-903 São Paulo, SÃO PAULO - SP, Brazil,  
Tel. +55 11 821 2333, Fax. +55 11 829 1849

**Spain:** Balmes 22, 08007 BARCELONA,  
Tel. +34 3 301 6312, Fax. +34 3 301 4107

**Sweden:** Kottbygatan 7, Akalla, S-16485 STOCKHOLM,  
Tel. +46 8 632 2000, Fax. +46 8 632 2745

**Switzerland:** Allmendstrasse 140, CH-8027 ZÜRICH,  
Tel. +41 1 488 2686, Fax. +41 1 481 7730

**Taiwan:** PHILIPS TAIWAN Ltd., 23-30F, 66,  
Chung Hsiao West Road, Sec. 1, P.O. Box 22978,  
TAIPEI 100, Tel. +886 2 382 4443, Fax. +886 2 382 4444

**Thailand:** PHILIPS ELECTRONICS (THAILAND) Ltd.,  
209/2 Sanpavuth-Bangna Road Prakanong, BANGKOK 10260,  
Tel. +66 2 745 4090, Fax. +66 2 398 0793

**Turkey:** Talatpasa Cad. No. 5, 80640 GÜLTEPE/ISTANBUL,  
Tel. +90 212 279 2770, Fax. +90 212 282 6707

**Ukraine:** PHILIPS UKRAINE, 4 Patrice Lumumba str., Building B, Floor 7,  
252042 KIEV, Tel. +380 44 264 2776, Fax. +380 44 268 0461

**United Kingdom:** Philips Semiconductors Ltd., 276 Bath Road, Hayes,  
MIDDLESEX UB3 5BX, Tel. +44 181 730 5000, Fax. +44 181 754 8421

**United States:** 811 East Arques Avenue, SUNNYVALE, CA 94088-3409,  
Tel. +1 800 234 7381

**Uruguay:** see South America

**Vietnam:** see Singapore

**Yugoslavia:** PHILIPS, Trg N. Pasica 5/v, 11000 BEOGRAD,  
Tel. +381 11 625 344, Fax. +381 11 635 777

For all other countries apply to: Philips Semiconductors, Marketing & Sales Communications,  
Building BE-p, P.O. Box 218, 5600 MD EINDHOVEN, The Netherlands, Fax. +31 40 27 24825

Internet: <http://www.semiconductors.philips.com>

© Philips Electronics N.V. 1996

SCA52

All rights are reserved. Reproduction in whole or in part is prohibited without the prior written consent of the copyright owner.

The information presented in this document does not form part of any quotation or contract, is believed to be accurate and reliable and may be changed without notice. No liability will be accepted by the publisher for any consequence of its use. Publication thereof does not convey nor imply any license under patent- or other industrial or intellectual property rights.

Printed in The Netherlands

537021/1200/02/pp24

Date of release: 1996 Dec 12

Document order number: 9397 750 01384

*Let's make things better.*

**Philips**  
**Semiconductors**



**PHILIPS**