



**PLUG:** RM412-164-192-9501-933  
**RECEPTACLE:** RM422-164-832-9601  
 XXXXX-XXX-XXX-XXXX-XXX

**PLUG**

**RECEPTACLE**

**SERIES**

RM .075" Screw Machine PC Connector | RM .075" Screw Machine PC Connector

**BODY**

4	4-Row	4	4-Row
<b>BODY STYLE:</b>		<b>BODY STYLE:</b>	
1	Plug, straight, with mounting ears	2	Receptacle, straight, without mounting ears
<b>BODY MATERIAL:</b>		<b>BODY MATERIAL:</b>	
2	Polyphenylene sulfide (PPS)	2	Polyphenylene sulfide (PPS)

**SIZE**

086, 110, 164, 196, 204, 220, 250, 276, 300, 404 | 086, 110, 164, 196, 204, 220, 250, 276, 300, 404

**CONTACTS**

<b>TYPE CONTACTS/TERMINATIONS:</b>		<b>TYPE CONTACTS/TERMINATIONS:</b>	
19	Pin, SMT, .014" x .007" tail	75	Socket, straight, dip solder, .250" x .018" dia
		76	Socket, straight, solder cup
		77	Socket, straight, flex, .093" x .017" dia
		78	Socket, straight, wire wrap®, .500" x .018" sq
		79	Socket, straight, wire wrap®, .375" x .018" sq
		81	Socket, straight, dip solder, .109" x .018" dia
		82	Socket, straight, dip solder, .140" x .018" dia
		83	Socket, straight, dip solder, .172" x .018" dia
		87	Socket, straight, press-fit, .188" (Board: .093" - .125" thk)
		88	Socket, straight, press-fit, .308" (Board: .156" - .200" thk)
		89	Socket, straight, press-fit, .388" (Board: .250"+ thk)

<b>PLATING OPTIONS:</b>		<b>PLATING OPTIONS:</b>	
2	Pre-tinned termination	1	Gold plated termination
		2	Pre-tinned termination (except solder cup, flex or wire wrap®)

**HARDWARE**

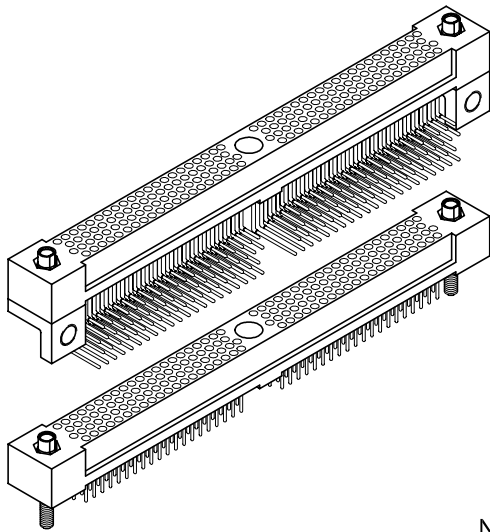
<b>STYLE OF HARDWARE:</b>		<b>STYLE OF HARDWARE:</b>	
0256	None	0256	None
90	Guide pins, full round, installed	91	Guide sockets, full round, installed
93	Fixed jackset, #4-40 thread	92	Hex turning jackset, #4-40 thread
95	Guide pins, polarized, unassembled	93	Fixed jackset, #4-40 thread
9501 - 9536	Guide pins, installed	96	Guide sockets, polarized, unassembled, #2-56 x .320" thread
99	Guide pins, universal	9601 - 9636	Guide sockets, polarized, installed
		97	Guide sockets, polarized, unassembled, #2-56 x .247" thread
		9701 - 9736	Guide sockets, polarized, installed
		98	Guide sockets, universal, #2-56 x .247" thread

<b>POLARIZATION:</b>		<b>POLARIZATION</b>	
00	None	00	None
01	thru 36 are special identifiers, see page R-57	01	thru 36 are special identifiers, see page R-57

**OPTIONS**

9XX SMT configuration code, see page R-56





DIMENSIONS			
SIZE	A	B	C
86*	1.975	1.575	1.500
110*	2.425	2.025	1.950
164	3.700	1.500	1.425
196	4.300	1.800	1.725
204	4.450	1.875	1.800
220	4.750	2.025	1.950
250*	5.050	4.650	4.575
276	5.800	2.550	2.475
300	6.250	2.775	2.700
404	8.200	3.750	3.675

# 4 • ROW

## Right Angle PTH Rcpt

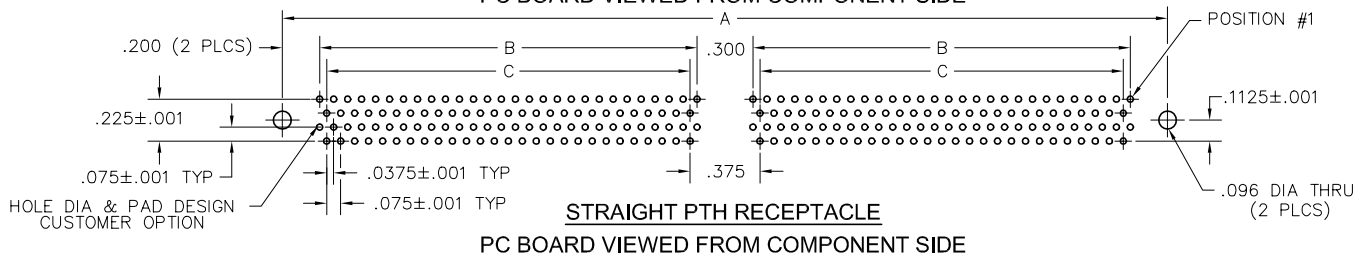
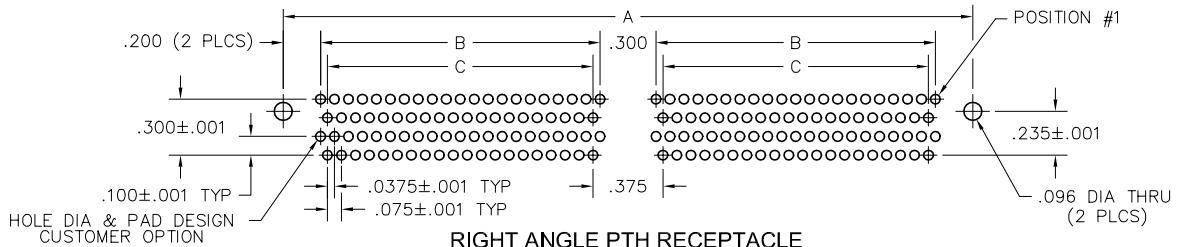
## Straight PTH Rcpt

.075"

**RM4**

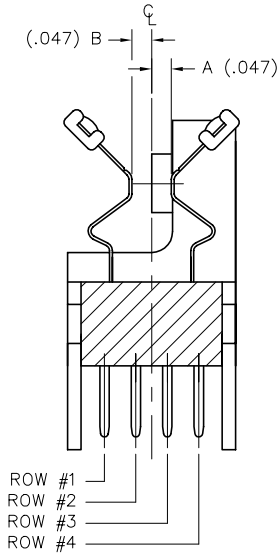
86 thru 404 Contacts  
Recommended  
Board Layout

NOTES:  
\* = Single section, no center mounting hole

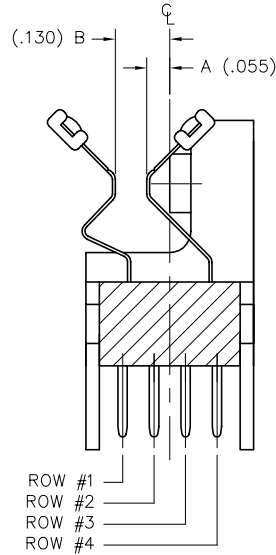


SIZE	CONTACT ID				SIZE	CONTACT ID																				
86*	22	21	20	3	2	1	220	56	55	54	31	30	29	28	27	26	3	2	1							
	43	42	41	25	24	23		110	109	108	86	85	84	83	82	81	59	58	57							
110*	65	64	63	46	45	44	250*	166	165	164	141	140	139	138	137	136	113	112	111							
	86	85	84	68	67	66		220	219	218	196	195	194	193	192	191	169	168	167							
164	28	27	26	3	2	1	276	62	61	60	3	2	1	300	70	69	68	38	37	36	35	34	33	3	2	1
	55	54	53	31	30	29		125	124	123	65	64	63		107	106	105	104	103	102	73	72	71			
196	83	82	81	58	57	56	204	187	186	185	128	127	126	404	208	207	206	176	175	174	173	172	171	141	140	139
	110	109	108	86	85	84		250	249	248	190	189	188		276	275	274	245	244	243	242	241	240	211	210	209
204	42	41	40	24	23	22	220	76	75	74	41	40	39	250*	50	49	48	28	27	26	25	24	23	3	2	1
	82	81	80	65	64	63		138	137	136	107	106	105		104	103	102	73	72	71						
220	124	123	122	106	105	104	276	208	207	206	176	175	174	300	148	147	146	126	125	124	123	122	121	101	100	99
	164	163	162	147	146	145		144	143	142	127	126	125		196	195	194	175	174	173	172	171	170	151	150	149
250*	50	49	48	28	27	26	276	76	75	74	41	40	39	300	50	49	48	28	27	26	25	24	23	3	2	1
	98	97	96	77	76	75		150	149	148	116	115	114		113	112	111	79	78	77						
276	148	147	146	126	125	124	300	226	225	224	191	190	189	404	196	195	194	175	174	173	172	171	170	151	150	149
	196	195	194	175	174	173		500	299	298	266	265	264		263	262	261	229	228	227						
300	52	51	50	29	28	27	404	202	200	198	106	104	102	404	101	99	97	5	3	1						
	102	101	100	80	79	78		201	199	197	107	105	103		100	98	96	6	4	2						
404	154	153	152	131	130	129	404	404	402	400	308	306	304	404	303	301	299	207	205	203						
	204	203	202	182	181	180		179	178	177	157	156	155		502	500	298	208	206	204						

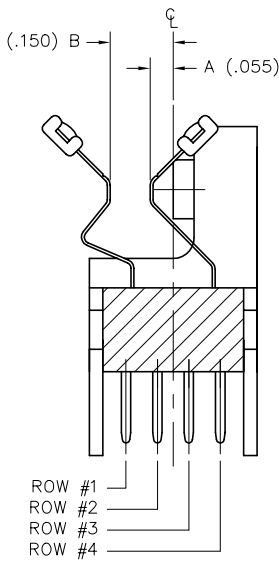
# SMT Configuration Options



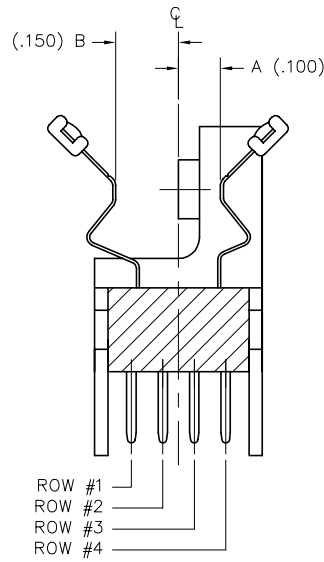
STYLE 933



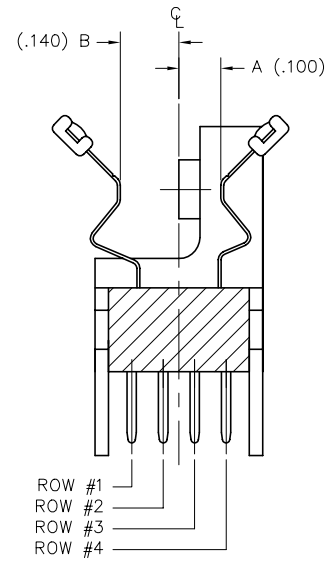
STYLE 925



STYLE 927



STYLE 947



STYLE 946

DISTANCE FROM $\zeta$ (A)	DISTANCE FROM $\zeta$ (A OR B)
1 .005	3 .047
2 .055	4 .100
	5 .130
	6 .140
	7 .150
	8 .070
	9 .080
	0 .090

**NOTES:**

1. Various board thicknesses can be accommodated by specifying A and B designators.  
For example: 9 (A)(B)
2. Consult factory for other available options.