

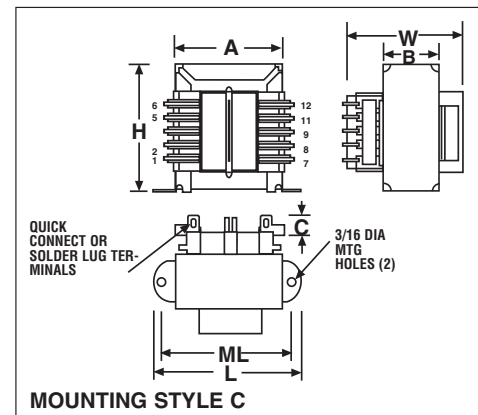
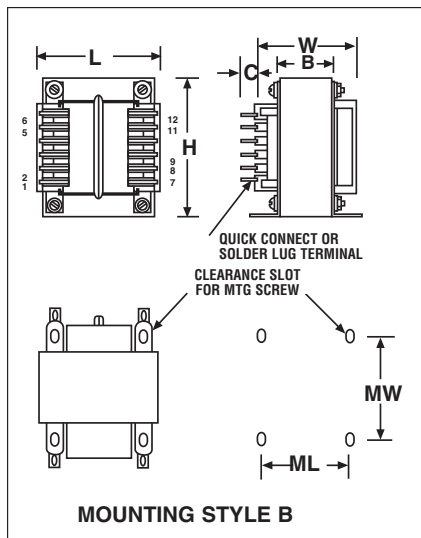


RL-2261

ALL IN ONE™ INTERNATIONAL TRIPLE OUTPUT POWER TRANSFORMERS • CHASSIS MOUNT



The RL-2261 Series International Power Transformers are manufactured to meet UL, CSA, VDE and IEC specifications. These transformers with chassis mount capability are available in ratings of 25VA, 43VA and 80VA. Designed with dual primaries (115/230V - 50/60Hz) and input range of (100V to 130V or 200V to 260V - 50/60Hz) and triple outputs (5VDC with ± 12 VDC or 5VDC with ± 15 VDC). The split bobbin construction eliminates the need for electrostatic shielding. HIPOT tested at 4000VRMS.



VA (Size)	Dimensions							Mtg. Style	Mfg. Dim.		Mfg. Screw	Wgt.
	L	W	H	A	B	C	Terminal		ML	MW		
25	2.85" (72.4mm)	1.93" (49.0mm)	2.37" (60.2mm)	2.00" (50.8mm)	1.12" (28.6mm)	0.31" (7.9mm)	0.187" (4.75mm)	C	2.38" (60.5mm)	-	#6	1.25lbs. 0.57kg.
43	3.23" (82.0)	2.06" (52.3mm)	2.75" (69.9mm)	2.25" (57.2mm)	1.12" (28.6mm)	0.31" (7.9mm)	0.187" (4.75mm)	C	2.78" (70.6mm)	-	#6	1.6lbs. 0.73kg.
80	2.50" (63.5mm)	2.36" (59.9mm)	3.00" (76.2mm)	-	1.38" (35.1mm)	0.31" (7.9mm)	0.187" (4.75mm)	B	2.00" (50.8mm)	2.18" (55.5mm)	#6	2.8lbs. 1.27kg.

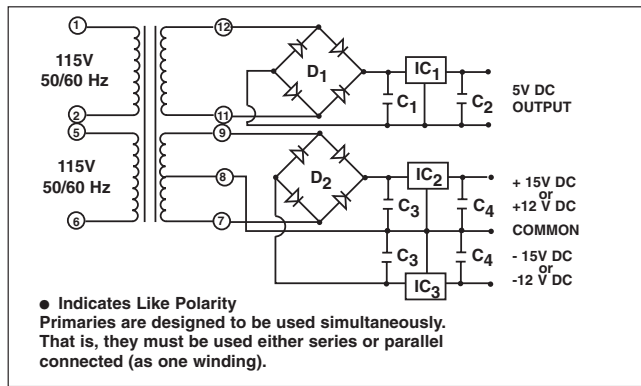


RENCO ELECTRONICS, INC.

595 International Place, Rockledge, FL 32955-4200 USA

(321) 637-1000 • Toll Free Engineering Hot line 800-645-5828

Fax: (321) 637-1600 Web Site: www.rencousa.com E-mail: sales@rencousa.com



Part Number	VA Size	DC Output		Suggested Components						
		Regulator I	Regulator II	C ₁	C ₃	IC1	IC2	IC3	D1	D2
RL-2261-25-512	25	5V @ 1.25A	±12V @ 150mA	4.1 KMFD	600 MFD	LM-323K-5	LM-340K-12	LM-320K-12	PE20	PF20
RL-2261-25-515	25	5V @ 1.25A	±15V @ 130mA	@15 VDC	@50VDC	LM-323K-5	LM-340K-15	LM-320K-15	PE20	PF20
RL-2261-43-512	43	5V @ 2A	±12V @ 300mA	8 KMFD	1.1 KMFD	LM-323K-5	LM-340K-12	LM-320K-12	PE20	PF20
RL-2261-43-515	43	5V @ 2A	±15V @ 250mA	@15 VDC	@ 50VDC	LM-323K-5	LM-340K-15	LM-320K-15	PE20	PF20
RL-2261-80-512	80	5V @ 3.5A	±12V @ 600mA	10 KMFD	2.1 KMFD	LM-338 ²	LM-340K-12	LM-320K-12	PP20	PF20
RL-2261-80-515	80	5V @ 3.5A	±15V @ 500mA	@15 VDC	@50VDC	LM-338 ²	LM-340K-15	LM-320K-15	PP20	PF20

NOTES:

1. Output capacitors C2 and C4 are required to stabilize regulators. Values can be 1MFD min. tantalum or 10MFD min. electrolytic, 20Vmin.
2. LM-338 is an adjustable regulator and MFR's specifications (National Semiconductor) should be consulted for values of external components.
3. All ICs are National Semiconductor types.
4. All bridges are EDI



RENCO ELECTRONICS, INC.

595 International Place, Rockledge, FL 32955-4200 USA

(321) 637-1000 • Toll Free Engineering Hot line 800-645-5828

Fax: (321) 637-1600 Web Site: www.rencousa.com E-mail: sales@rencousa.com