

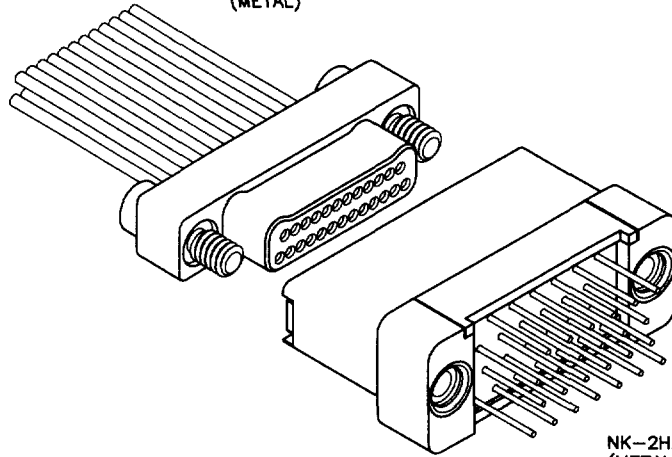
**2 · ROW**  
**Cable to Board**  
**Vertical PTH**

.025"

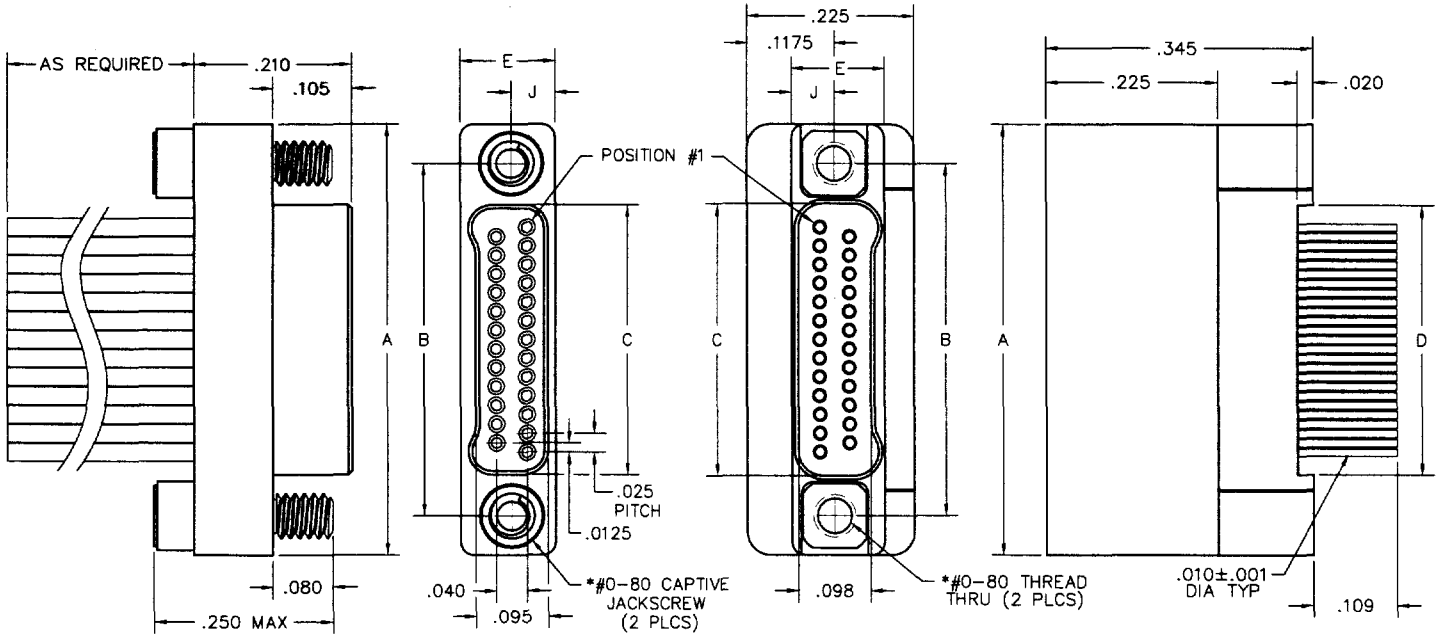
**NM, NK**

9 thru 85 Contacts

NM-212-025-161-JCAC  
(METAL)



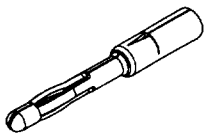
NK-2H2-025-235-TH00  
(METAL)



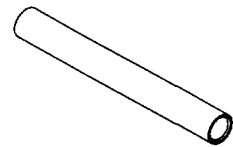
PLUG

RECEPTACLE

SIZE	A	B	C		D	E	J	*HARDWARE
			PLUG	RCPT				
9	.375	.270	.160	.163	.170			
15	.450	.345	.235	.238	.245			
21	.525	.420	.310	.313	.320			
25	.575	.470	.360	.363	.370			
31	.650	.545	.435	.438	.445	.125	.0575	#0-80 THREAD
37	.725	.620	.510	.513	.520			
51	.900	.795	.685	.688	.695			
65	1.075	.970	.860	.863	.870			
69	1.125	1.020	.910	.913	.920			
85	1.377	1.246	1.110	1.113	1.120	.150	.0700	#2-56 THREAD



PIN CONTACT  
3 TINE SPRING MEMBER, CRIMP



SOCKET CONTACT  
MACHINED TUBE, CRIMP

**PLUG:** NM-212-025-161-JCAC  
**RECEPTACLE:** NK-2H2-025-235-TH00  
 XX-XXX-XXX-XXX-XXXX

**PLUG**

**RECEPTACLE**

**SERIES**

NM .025" Metal I/O Connector	NK .025" Metal PC Board Mounted Connector
------------------------------	---

**BODY**

2 2-Row	2 2-Row
1 <b>BODY STYLE:</b> Plug, straight	H <b>BODY STYLE:</b> Receptacle, vertical mount, plated thru hole (PTH)
2 <b>BODY MATERIAL:</b> Liquid Crystal Polymer w/ electroless nickel shell	2 <b>BODY MATERIAL:</b> Liquid Crystal Polymer w/ electroless nickel shell
3 <b>BODY MATERIAL:</b> Liquid Crystal Polymer w/ electrodeposited cadmium shell	3 <b>BODY MATERIAL:</b> Liquid Crystal Polymer w/ electrodeposited cadmium shell

**SIZE**

XXX Number of contacts (009, 015, 021, 025, 031, 037, 051, 065, 069 or 085)	XXX Number of contacts (009, 015, 021, 025, 031, 037, 051, 065, 069 or 085)
---	---

**CONTACTS**

16 <b>TYPE CONTACTS/TERMINATIONS:</b> Pin, straight, crimped wire	23 <b>TYPE CONTACTS/TERMINATIONS:</b> Socket, straight, dip solder, .109"
	24 <b>TYPE CONTACTS/TERMINATIONS:</b> Socket, straight, dip solder, .140"
	25 <b>TYPE CONTACTS/TERMINATIONS:</b> Socket, straight, dip solder, .172"

1 <b>PLATING OPTIONS:</b> 50 u" Au contacts	5 <b>PLATING OPTIONS:</b> 50 u" Au contacts; 100 u" Sn terminations
--	--

**HARDWARE**

00 <b>STYLE OF HARDWARE:</b> None	00 <b>STYLE OF HARDWARE:</b> None
JC <b>STYLE OF HARDWARE:</b> Turning jackscrews, captivated #0-80*	TH <b>STYLE OF HARDWARE:</b> Threaded hole, #0-80 UNF*

XX <b>WIRING OPTIONS:</b> See wiring codes, Page N-51	00 <b>WIRING OPTIONS:</b> None
--	-----------------------------------

\* = #2-56 hardware on 85 position connectors