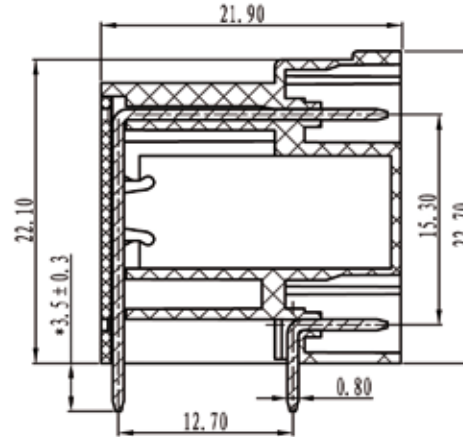
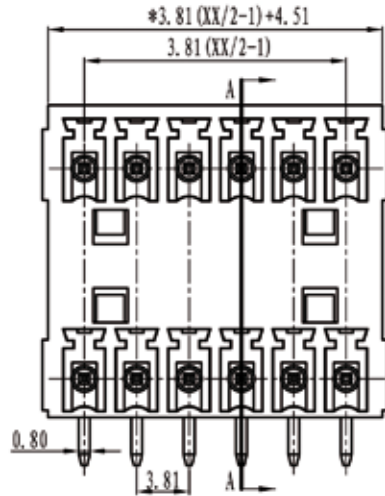
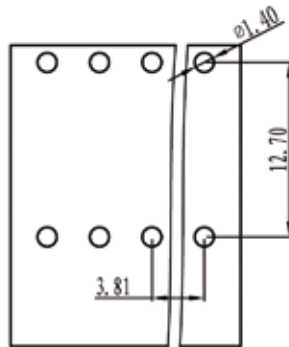


# euro-block

product specification



SECTION A-A



TOLERANCES EXCEPT AS NOTED

## Electrical

Standard: UL-IEC  
 Rated voltage: 300V-250V  
 Rated current: 8A-7A  
 Contact resistance: 20mΩ  
 Withstanding voltage: AC2000V/1Min  
 Insulation resistance: 5000MΩ/DC1000V

## Mechanical

Temp.Range: -40°C~+105°C  
 MAX soldering: +250°C, for 5 sec

## Dimensions

Pitch: 3.81mm  
 Poles: 2p-24p

## Material

Housing: PA66, UL94V-0  
 Pin header: Brass, Tin plated

variable range	linear dimension				fillet	chamfer		short angle sid			≡	-	□	//	⊥		
	to 6	over 6 to 30	over 30 to 120	over 120 to 480	all	to 6	over 6 to 10	to 10 to 50	over 50 to 120	to 120	all	to 5	over 5 to 30	over 30 to 120	over 120		
tolerance	±0.1	±0.2	±0.3	±0.5	±0.9	±0.2	±0.5	±1	1'	30'	20'	10'	0.5	0.025	0.06	0.12	0.4

UNITS	mm	SIZE	A4	SCALE	FIRST ANGLE PROJECTION	
<b>euro-block</b>						
					NAME	MDL-3.5/3.81-H