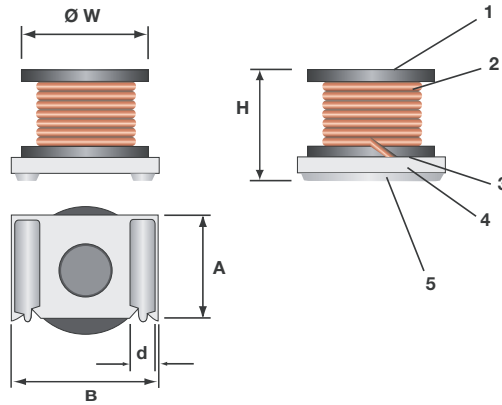


FERRITE CORE POWER INDUCTOR LPC 12065



STRUCTURE

- 1 Ferrite core
- 2 Winding wire
- 3 Epoxy adhesive
- 4 Ceramic substrate
- 5 Electrode

IDENTIFICATION

PRODUCT CODE	COATING COLOR	MARKING
LPC 12065	None	None

TYPE DESIGNATION (HOW TO ORDER)

Old Part No.	LPC 12065	K	TE	680		
New Part No.	LPC 12065	L	TE	680	K	
	PRODUCT CODE	TERMINATION SURFACE MATERIAL L: Sn/Pb A: SnAg	INDUCTANCE TOLERANCE	TAPING*	NOMINAL INDUCTANCE 3 digits (Unit: µH)	INDUCTANCE TOLERANCE

*Please see "PACKAGING"

FEATURES

- Large permissible DC current and small DC resistance
- Small surface area allows high mounting density
- Small size and low height
- Operating temperature range: -40° C ... +85° C
- Inductors for extended ambient temperature range: -40° C ... +125° C on request (Type LPC 12065 E K TE xxx) (22 µH ... 6800 µH)
- Suitable for reflow soldering
- Embossed carrier tape packaging available

DIMENSIONS (mm)

PRODUCT CODE	Ø W	H	A	B	d
LPC 12065	12.0 ± 0.2	7.5 max.	10.0 ± 0.2	12.4 ± 0.2	3.7 ± 0.3

RATING

TYPE	INDUCTANCE			QUALITY FACTOR		SELF-RESONANT FREQUENCY (MIN.)	DC RESISTANCE (MAX.)	ALLOWABLE DC CURRENT (MAX.)				
	NOM. VALUE*	TOLERANCE	FREQUENCY	Q (MIN.)	FREQUENCY							
LPC 12065 TE R68	0.68 µH	N (± 30%)	1 MHz	20	2.52 MHz	77.0 MHz	0.005 Ω	10.0 A				
LPC 12065 TE 1R0	1.0 µH					60.0 MHz	0.007 Ω	9.50 A				
LPC 12065 TE 1R5	1.5 µH					47.0 MHz	0.008 Ω	9.00 A				
LPC 12065 TE 2R2	2.2 µH					38.0 MHz	0.010 Ω	8.00 A				
LPC 12065 TE 3R3	3.3 µH					30.0 MHz	0.012 Ω	7.00 A				
LPC 12065 TE 4R7	4.7 µH					24.0 MHz	0.016 Ω	6.50 A				
LPC 12065 TE 6R8	6.8 µH	M (± 20%)	1 MHz	20	2.52 MHz	19.0 MHz	0.022 Ω	5.40 A				
LPC 12065 TE 100	10 µH					15.0 MHz	0.031 Ω	4.50 A				
LPC 12065 TE 150	15 µH					12.0 MHz	0.046 Ω	3.63 A				
LPC 12065 TE 220	22 µH					9.50 MHz	0.065 Ω	3.00 A				
LPC 12065 TE 330	33 µH					7.50 MHz	0.093 Ω	2.40 A				
LPC 12065 TE 470	47 µH					6.20 MHz	0.130 Ω	2.05 A				
LPC 12065 TE 680	68 µH					4.90 MHz	0.182 Ω	1.70 A				
LPC 12065 TE 101	100 µH					K (± 10%)	0.1 MHz	15	0.1 MHz	4.00 MHz	0.260 Ω	1.38A
LPC 12065 TE 151	150 µH									3.20 MHz	0.380 Ω	1.14 A
LPC 12065 TE 221	220 µH									2.50 MHz	0.540 Ω	0.94 A
LPC 12065 TE 331	330 µH									2.00 MHz	0.790 Ω	0.77 A
LPC 12065 TE 471	470 µH									1.60 MHz	1.08 Ω	0.65 A
LPC 12065 TE 681	680 µH	1.30 MHz	1.55 Ω	0.53 A								
LPC 12065 TE 102	1000 µH	K (± 10%)	0.05 MHz	30	0.1 MHz	1.00 MHz	2.21 Ω	0.44 A				
LPC 12065 TE 152	1500 µH					0.83 MHz	3.20 Ω	0.35 A				
LPC 12065 TE 222	2200 µH					0.67 MHz	4.60 Ω	0.29 A				
LPC 12065 TE 332	3300 µH					0.53 MHz	6.60 Ω	0.23 A				
LPC 12065 TE 472	4700 µH					0.43 MHz	9.30 Ω	0.19 A				
LPC 12065 TE 682	6800 µH					0.34 MHz	13.20 Ω	0.16 A				

* Other inductance values on request

Specifications given herein may be changed at any time without prior notice. Please confirm technical specifications before you order and/or use.