

5.0x3.2mm



Pb Free

RoHS Conforming

**Features**

- Ultra-miniature SMD Type (5.0x3.2x1.5mm)
- Reflow compatible
- AFC function available
- 2.3 to 3.5V drive available
- Frequency Stability : ±2.0ppm at -30°C to +85°C

**Applications**

- PDC, GSM, CDMA

**How to Order**

KT18B - D C V 30 □ - 19.680M - T  
① ② ③ ④ ⑤ ⑥ ⑦ ⑧

① Type

K	±5ppm
E	±2.5ppm
D	±2.0ppm

③ Lower operating temp

C	-30°C
E	-20°C
G	-10°C

④ Upper operating temp

W	85°C
V	80°C
U	75°C

⑤ Supply Voltage

28	2.8V	30	3.0V
----	------	----	------

⑥ Option Code

⑦ Frequency(MHz)		
13.000	19.200	19.800
14.400	19.440	26.000
16.800	19.680	

⑧ Packaging

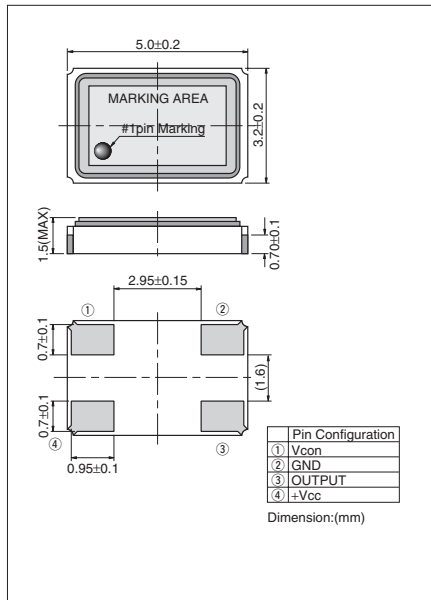
T	Tape & Reel
4,000pcs/Reel	

**Specifications**

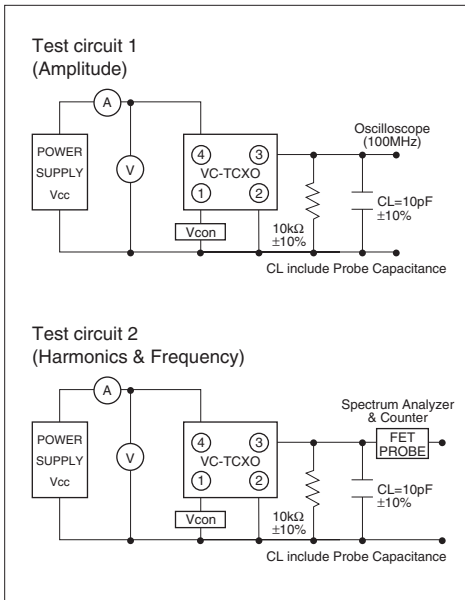
Item	Symbol	Conditions	Min.	Max.	Units
Output Frequency Range	F <sub>OUT</sub>		13	26	MHz
Frequency Stability	Δf/f <sub>0</sub>	vs Temperature	-2.0	+2.0	ppm
		vs Load	-0.2	+0.2	
		vs Voltage	-0.3	+0.3	
Storage Temp. Range	T <sub>STG</sub>		-40	+85	°C
Operating Temp. Range	T <sub>OPR</sub>		-30	+85	°C
Aging	Δfaging	Per Year	-1	1	ppm
Voltage control range	Δf/V	Positive	+/-8	+/-15	ppm
Supply Voltage	V <sub>DD</sub>		2.3	3.5	Volt
Output Voltage	V <sub>out</sub>	10k ohm // 10pF	0.8	—	Vp-p
Current Consumption	I <sub>DD</sub>		—	2.0	mA
Duty Ratio	SYM	@50% V <sub>DD</sub>	40	60	%
Harmonics	—		—	-5	dBc

**Dimensions**

(Unit : mm)



**Test Circuit**



**Recommended Land Pattern**

(Unit : mm)

